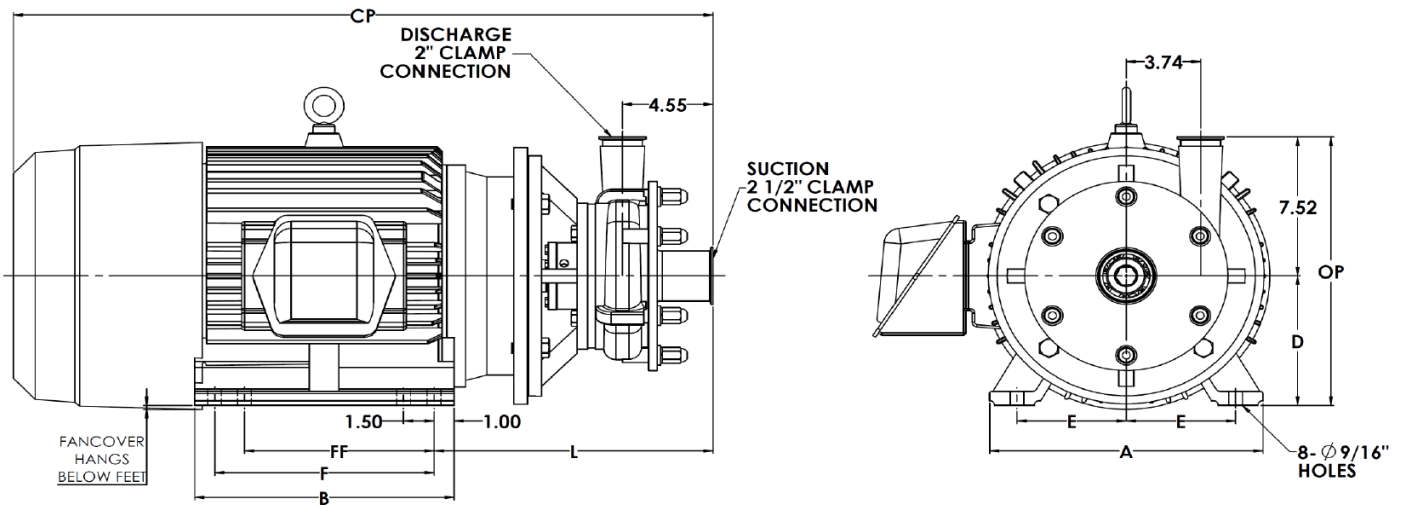
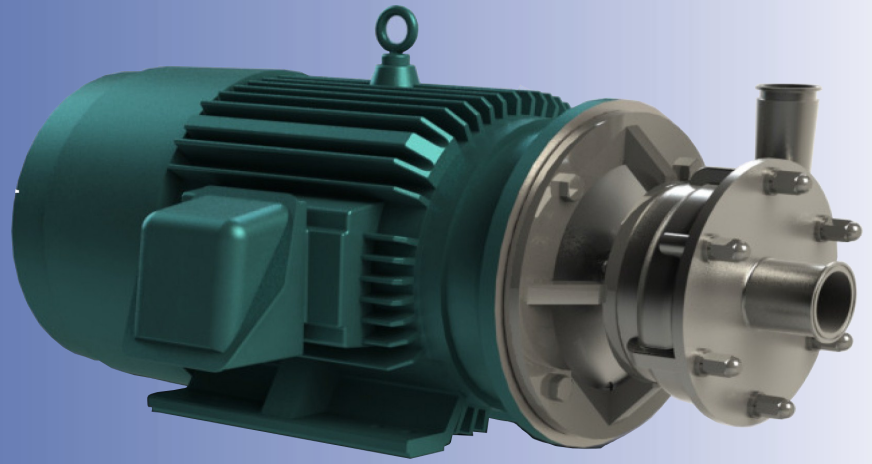


# Ampco Centrifugal Pumps

## DATA SHEET

MODEL LH-V532 2½ X 2



TEFC MOTOR			DIMENSIONS IN INCHES MILLIMETERS (For Reference Only)										APPROX WEIGHT
HP	RPM	FRAME	A (typ)	B (typ)	D	E	FF	F	ØH	L	CP	OP	LBS Kg
15	3500	284JM	13 3/4	13	7	5 1/2	9 1/2	11	9/16	14.19	35.31	14.51	542
			349	330	178	140	241	279	14	360	897	369	246
20	3500	284JM	13 3/4	13	7	5 1/2	9 1/2	11	9/16	14.19	35.31	14.51	542
			349	330	178	140	241	279	14	360	897	369	246
25	3500	284JM	13 3/4	13	7	5 1/2	9 1/2	11	9/16	14.19	35.31	14.51	542
			349	330	178	140	241	279	14	360	897	369	246

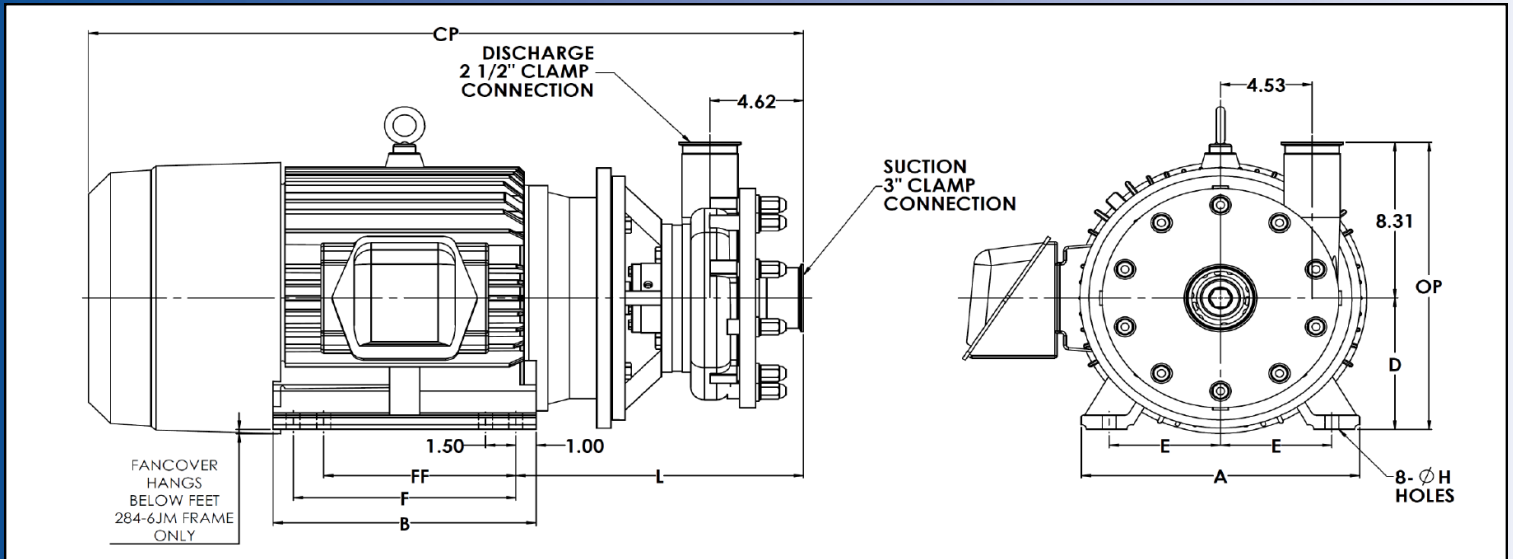
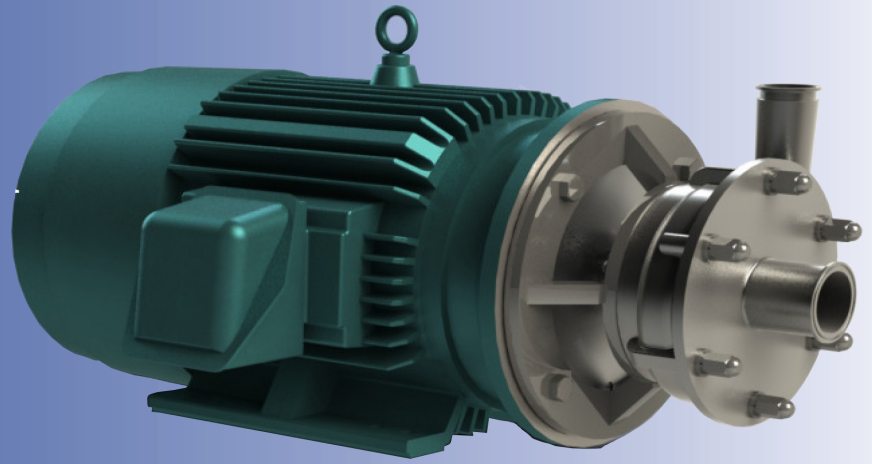
## MATERIAL SPECIFICATIONS

PART NAME	STAINLESS STEEL
Casing, Cover & Impeller	316L Stainless
Shaft Sleeve	316L Stainless
Adapter	304 Stainless

# Ampco Centrifugal Pumps

## DATA SHEET

MODEL LH-V542 3 x 2½



TEFC MOTOR			DIMENSIONS IN INCHES MILLIMETERS (For Reference Only)										APPROX WEIGHT
HP	RPM	FRAME	A (typ)	B (typ)	D	E	FF	F	ØH	L	CP	OP	LBS Kg
15	3500	284JM	13 3/4	13	7	5 1/2	9 1/2	11	9/16	15.69	36.81	15.30	565
			349	330	178	140	241	279	14	398	935	389	257
20	3500	284JM	13 3/4	13	7	5 1/2	9 1/2	11	9/16	15.69	36.81	15.30	565
			349	330	178	140	241	279	14	398	935	389	257
25	3500	284JM	13 3/4	13	7	5 1/2	9 1/2	11	9/16	15.69	36.81	15.30	565
			349	330	178	140	241	279	14	398	935	389	257
30	3500	286JM	13 3/4	13	7	5 1/2	9 1/2	11	9/16	15.69	36.81	15.30	580
			349	330	178	140	241	279	14	398	935	389	264
40	3500	324JM	15 1/2	14 3/4	8	6 1/4	10 1/2	12	11/16	14.70	34.64	16.31	645
			394	375	203	159	267	305	17	373	880	414	293
50	3500	326JM	15 1/2	14 3/4	8	6 1/4	10 1/2	12	11/16	14.70	34.64	16.31	685
			394	375	203	159	267	305	17	373	880	414	311

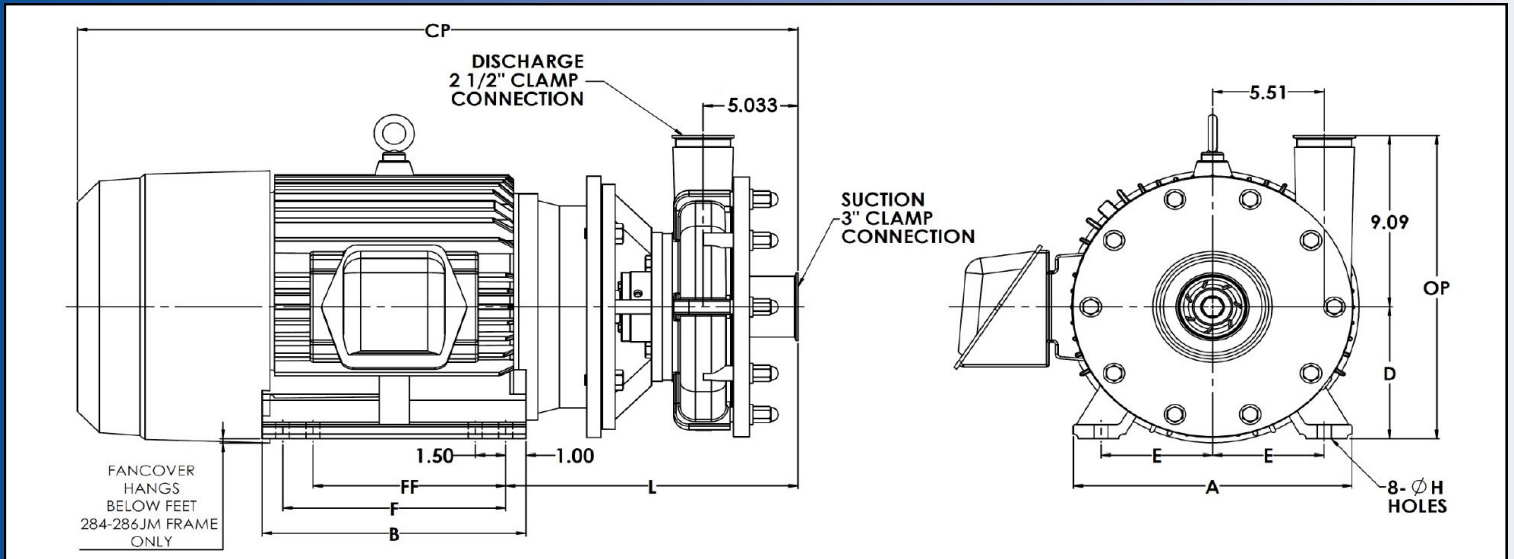
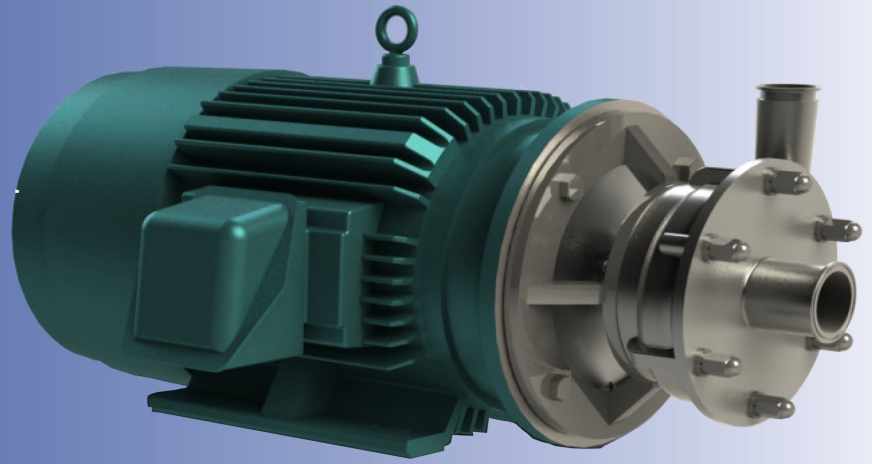
## MATERIAL SPECIFICATIONS

PART NAME	STAINLESS STEEL
Casing, Cover & Impeller	316L Stainless
Shaft Sleeve	316L Stainless
Adapter	304 Stainless

# Ampco Centrifugal Pumps

## DATA SHEET

MODEL LH-V552 3 x 2½



TEFC MOTOR			DIMENSIONS IN INCHES MILLIMETERS (For Reference Only)										APPROX WEIGHT
HP	RPM	FRAME	A (typ)	B (typ)	D	E	FF	F	ØH	L	CP	OP	LBS Kg
25	3500	284JM	13-3/4	13	7	5-1/2	9-1/2	11	9/16	14.54	35.66	16.08	604
			349	330	178	140	241	279	14	369	906	408	275
30	3500	286JM	13-3/4	13	7	5-1/2	9-1/2	11	9/16	14.54	35.66	16.08	619
			349	330	178	140	241	279	14	369	906	408	275
40	3500	324JM	15-1/2	14-3/4	8	6-1/4	10-1/2	12	11/16	15.27	35.21	17.09	684
			394	375	203	159	267	305	17	388	894	434	311
50	3500	326JM	15-1/2	14-3/4	8	6-1/4	10-1/2	12	11/16	15.27	35.21	17.09	724
			394	375	203	159	267	305	17	388	894	434	329
60	3500	364JM	17	15	9	7	11-1/4	12-1/4	11/16	15.89	37.59	18.09	1009
			432	381	229	178	286	311	17	404	955	459	459
75	3500	365JM	17	15	9	7	11-1/4	12-1/4	11/16	15.89	37.59	18.09	1034
			432	381	229	178	286	311	17	404	955	459	470

### MATERIAL SPECIFICATIONS

PART NAME	STAINLESS STEEL
Casing, Cover & Impeller	316L Stainless
Shaft Sleeve	316L Stainless
Adapter	304 Stainless