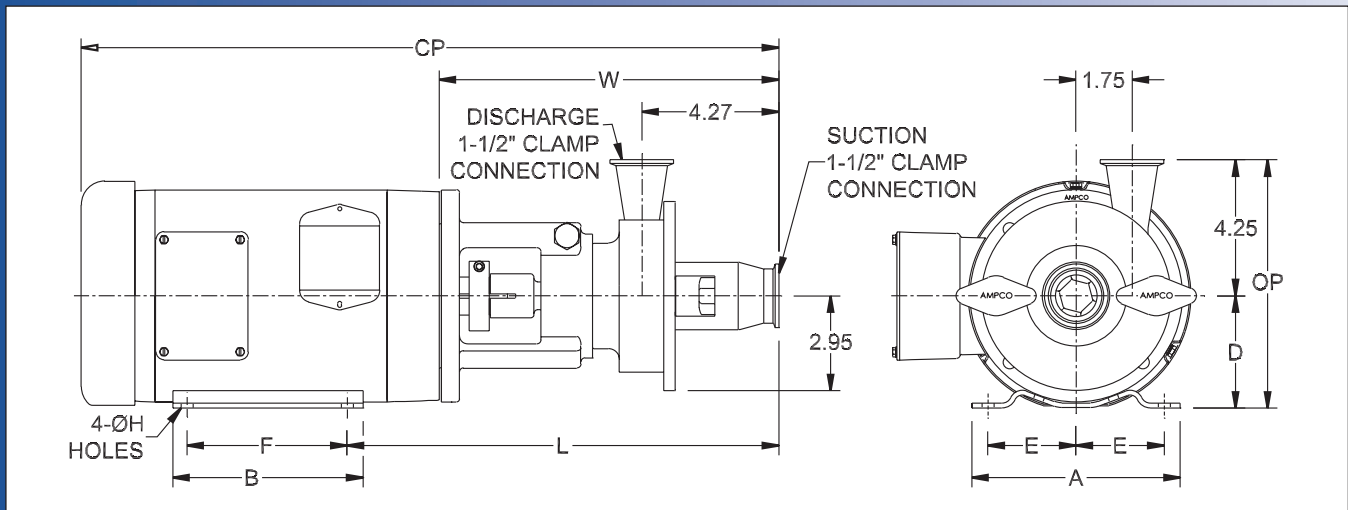
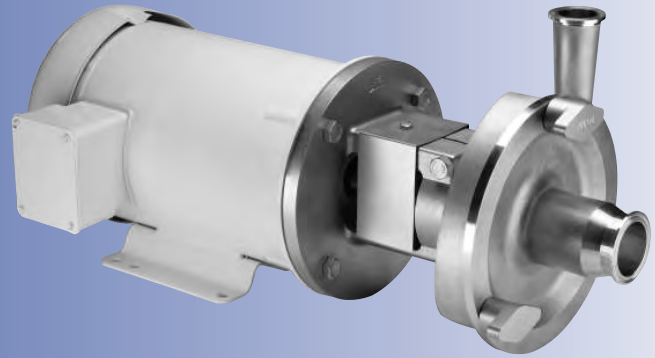


# Ampco Centrifugal Pumps

## DATA SHEET

MODEL LC-RO1 1 1/2 X 1 1/2  
MODEL LC-RO2 1 1/2 X 1 1/2



| TEFC MOTOR |      |       | DIMENSIONS IN INCHES (For Reference Only) |         |       |       |   |       |       |       |       |      | APPROX WEIGHT (LBS) |
|------------|------|-------|---|---------|-------|-------|---|-------|-------|-------|-------|------|---------------------|
| HP         | RPM  | FRAME | A (typ)                                   | B (typ) | D     | E     | F | ØH    | L     | W     | CP    | OP   |                     |
| 1          | 1750 | 143TC | 6-1/2                                     | 6       | 3-1/2 | 2-3/4 | 4 | 11/32 | 13.24 | 10.49 | 21.55 | 7.75 | 65                  |
| 1-1/2      | 3500 | 143TC | 6-1/2                                     | 6       | 3-1/2 | 2-3/4 | 4 | 11/32 | 13.24 | 10.49 | 21.55 | 7.75 | 66                  |
| 2          | 3500 | 145TC | 6-1/2                                     | 6       | 3-1/2 | 2-3/4 | 5 | 11/32 | 13.24 | 10.49 | 21.55 | 7.75 | 73                  |

## MATERIAL SPECIFICATIONS

| PART NAME                | STAINLESS STEEL |
|--------------------------|-----------------|
| Casing, Cover & Impeller | 316L Stainless  |
| Stub Shaft               | 316L Stainless  |
| Adapter                  | 304 Stainless   |

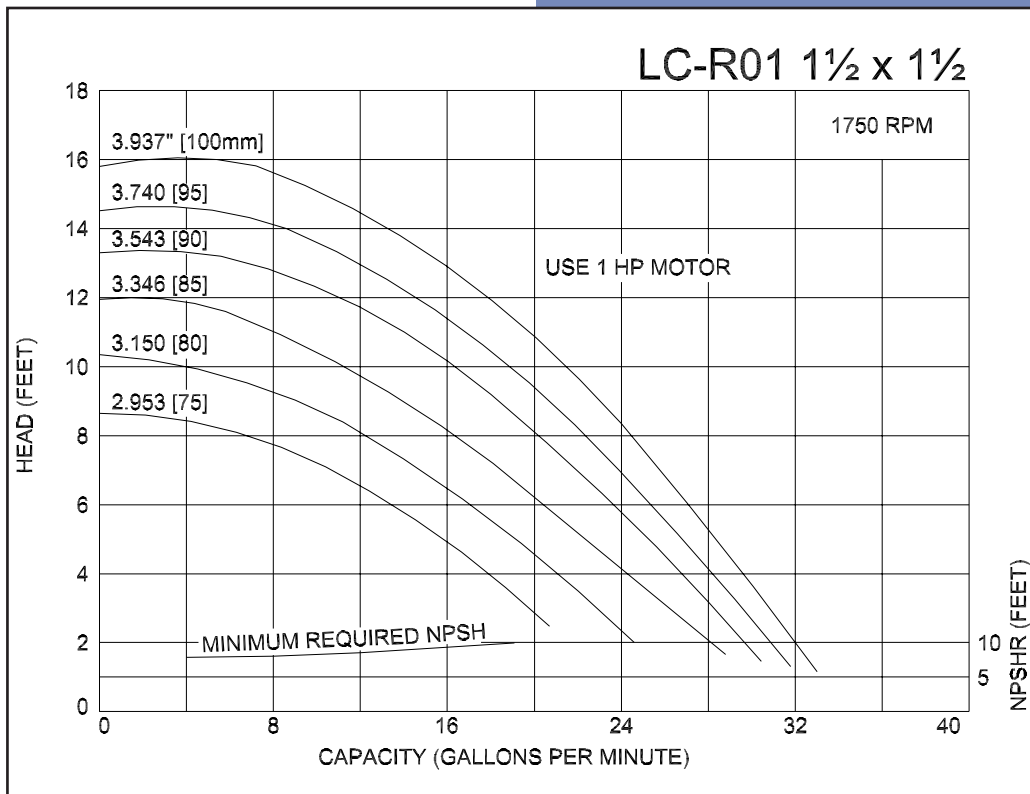
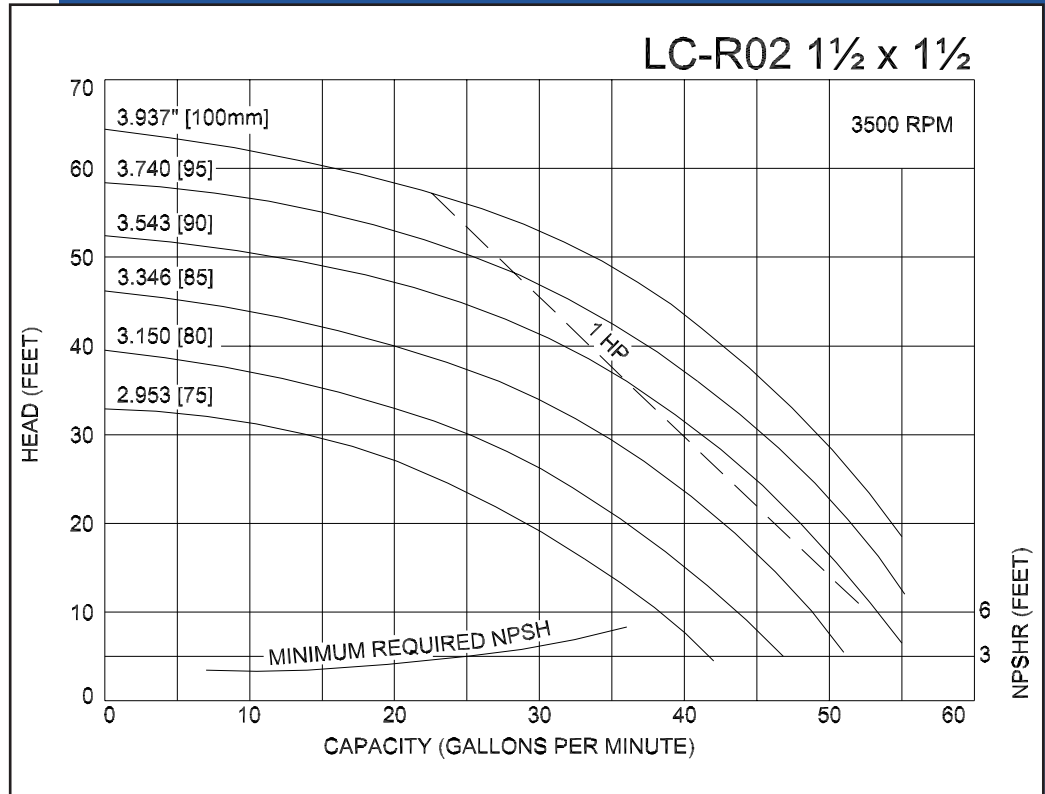


MODEL LC-R01 1 1/2 X 1 1/2  
 MODEL LC-R02 1 1/2 X 1 1/2

# Ampco Centrifugal Pumps

Curves show approximate characteristics based on clear 68° water.  
 Rated point is guaranteed.

LC-Series pumps have standard stainless steel adapters and silicon carbide vs. carbon seals.



LC pumps are in conformance with 3A sanitary standards for centrifugal and positive rotary pumps for milk and milk products, Number 02-09.

LC-Series pumps have a standard 32RA (150 grit) finish, on all product contact surfaces.

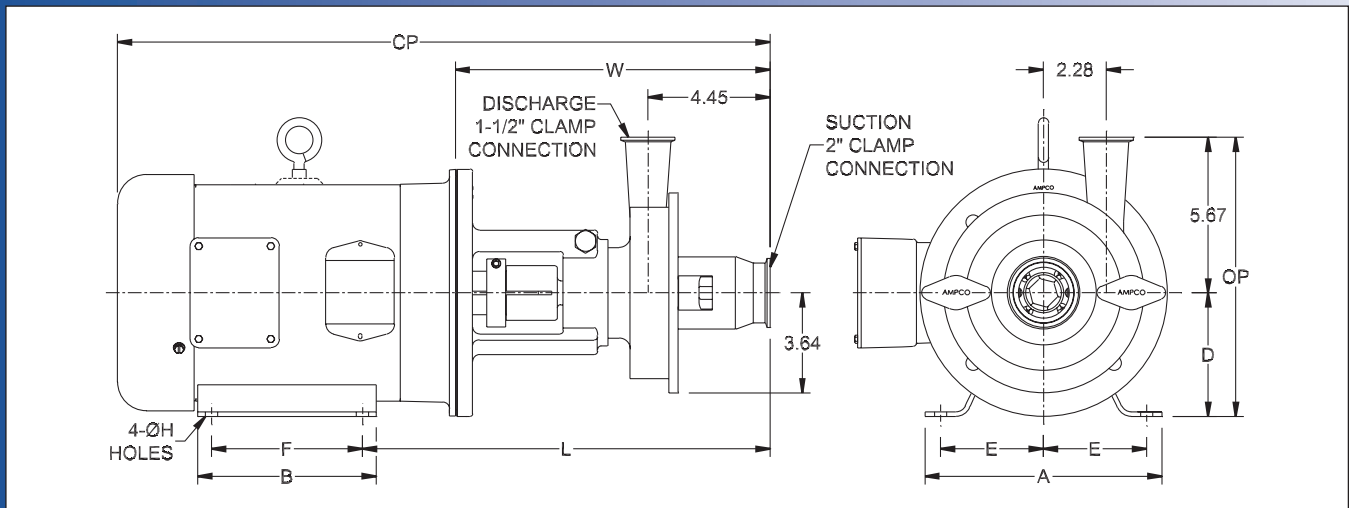
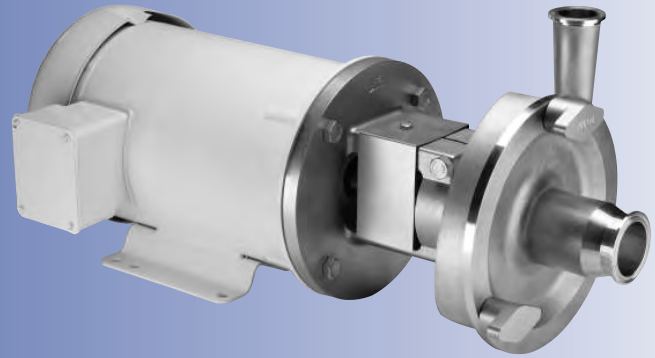
**Ampco  
Pumps  
Company**

4424 West Mitchell Street  
 Milwaukee, Wisconsin 53214  
 PHONE (414) 643-1852  
 FAX (414) 643-4452

# Ampco Centrifugal Pumps

## DATA SHEET

MODEL LC-R11 2X1 1/2  
MODEL LC-R12 2X1 1/2



| TEFC MOTOR |      |       | DIMENSIONS IN INCHES (For Reference Only) |         |       |       |       |       |       |       |       |       | APPROX<br>WEIGHT<br>(LBS) |
|------------|------|-------|---|---------|-------|-------|-------|-------|-------|-------|-------|-------|---------------------------|
| HP         | RPM  | FRAME | A (typ)                                   | B (typ) | D     | E     | F     | ØH    | L     | W     | CP    | OP    |                           |
| 1          | 1750 | 143TC | 6-1/2                                     | 6       | 3-1/2 | 2-3/4 | 4     | 11/32 | 13.37 | 10.62 | 21.68 | 9.17  | 70                        |
| 2          | 3500 | 145TC | 6-1/2                                     | 6       | 3-1/2 | 2-3/4 | 5     | 11/32 | 13.37 | 10.62 | 21.68 | 9.17  | 78                        |
| 3          | 3500 | 182TC | 8-5/8                                     | 6-1/2   | 4-1/2 | 3-3/4 | 4-1/2 | 13/32 | 14.93 | 10.43 | 23.74 | 10.17 | 97                        |
| 5          | 3500 | 184TC | 8-5/8                                     | 6-1/2   | 4-1/2 | 3-3/4 | 5-1/2 | 13/32 | 14.93 | 10.43 | 25.11 | 10.17 | 111                       |

## MATERIAL SPECIFICATIONS

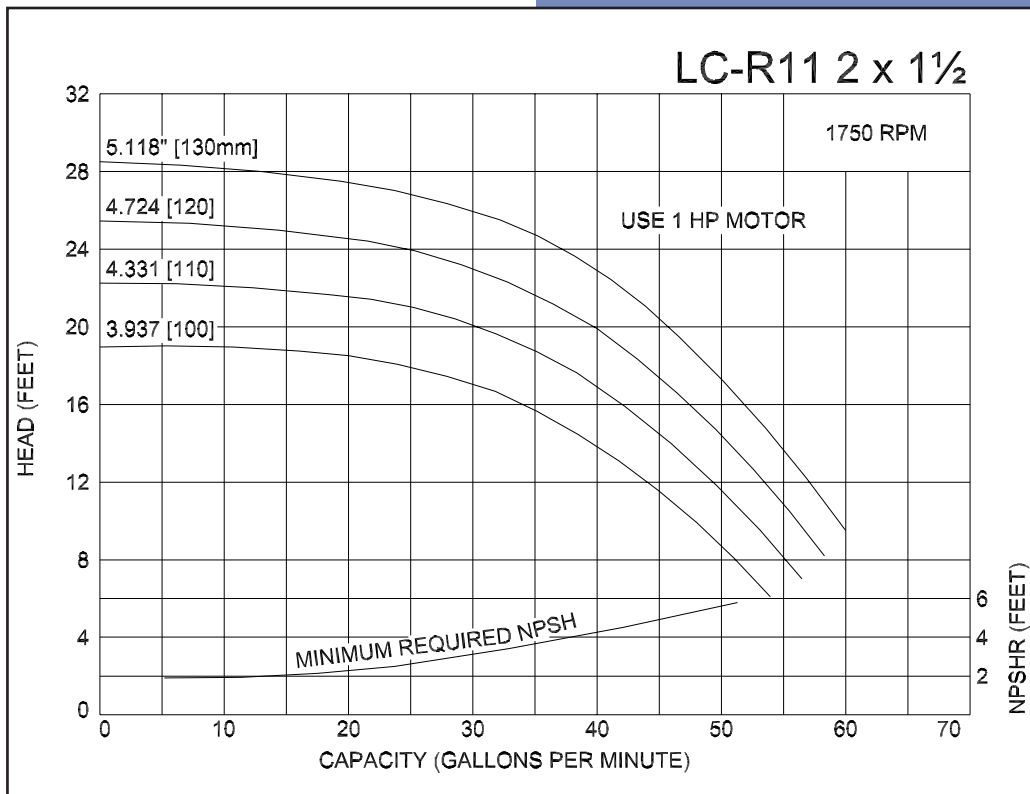
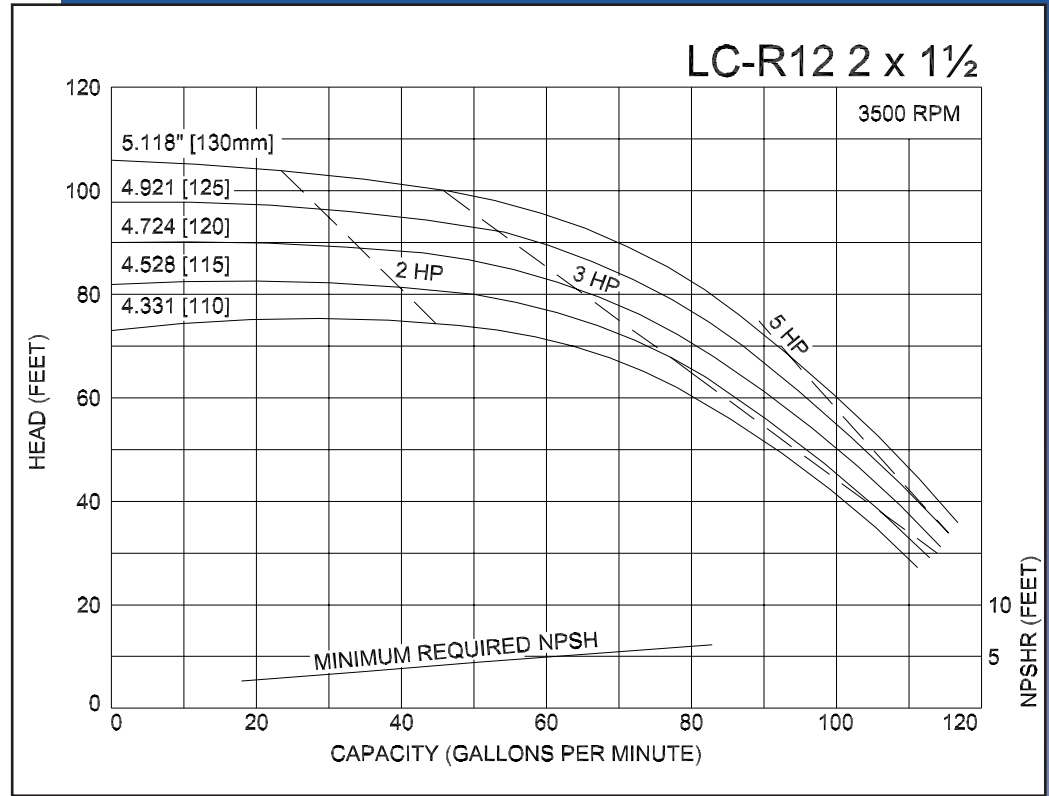
| PART NAME                | STAINLESS STEEL |
|--------------------------|-----------------|
| Casing, Cover & Impeller | 316L Stainless  |
| Stub Shaft               | 316L Stainless  |
| Adapter                  | 304 Stainless   |

MODEL LC-R11 2X1½  
 MODEL LC-R12 2X1½

# Ampco Centrifugal Pumps

Curves show approximate characteristics based on clear 68° water.  
 Rated point is guaranteed.

LC-Series pumps have standard stainless steel adapters and silicon carbide vs. carbon seals.



LC pumps are in conformance with 3A sanitary standards for centrifugal and positive rotary pumps for milk and milk products, Number 02-09.

LC-Series pumps have a standard 32RA (150 grit) finish, on all product contact surfaces.

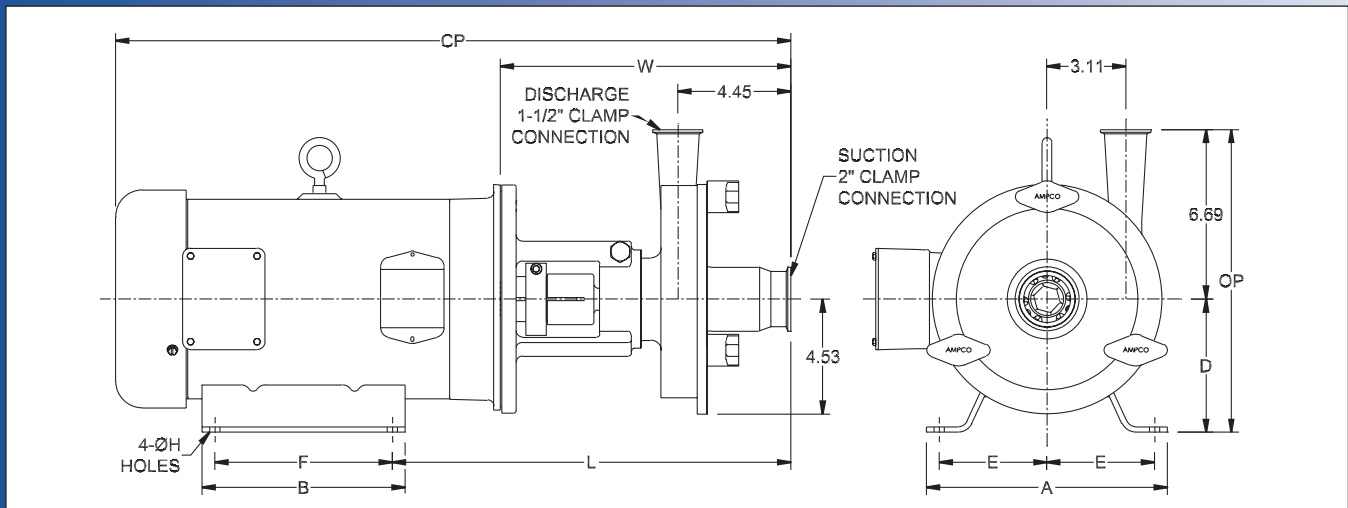
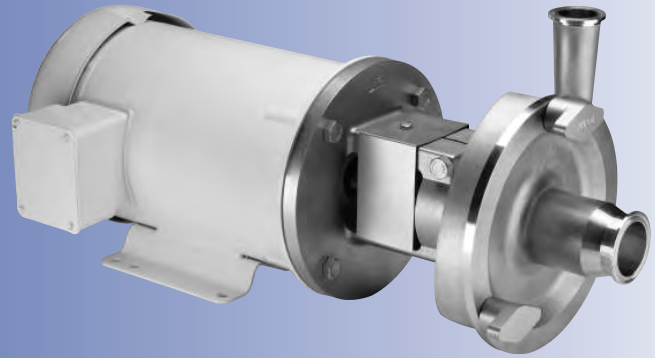
**Ampco  
 Pumps  
 Company**

4424 West Mitchell Street  
 Milwaukee, Wisconsin 53214  
 PHONE (414) 643-1852  
 FAX (414) 643-4452

# Ampco Centrifugal Pumps

## DATA SHEET

MODEL LC-R21 2X1 1/2  
MODEL LC-R22 2X1 1/2



| TEFC MOTOR |      |       | DIMENSIONS IN INCHES (For Reference Only) |         |       |       |       |       |       |       |       |       | APPROX WEIGHT (LBS) |
|------------|------|-------|---|---------|-------|-------|-------|-------|-------|-------|-------|-------|---------------------|
| HP         | RPM  | FRAME | A (typ)                                   | B (typ) | D     | E     | F     | ØH    | L     | W     | CP    | OP    |                     |
| 1          | 1750 | 143TC | 6-1/2                                     | 6       | 3-1/2 | 2-3/4 | 4     | 11/32 | 13.37 | 10.62 | 21.68 | 10.19 | 77                  |
| 1-1/2      | 1750 | 145TC | 6-1/2                                     | 6       | 3-1/2 | 2-3/4 | 5     | 11/32 | 13.37 | 10.62 | 21.68 | 10.19 | 83                  |
| 3          | 3500 | 182TC | 8-5/8                                     | 6-1/2   | 4-1/2 | 3-3/4 | 4-1/2 | 13/32 | 14.93 | 11.43 | 23.74 | 11.19 | 104                 |
| 5          | 3500 | 184TC | 8-5/8                                     | 6-1/2   | 4-1/2 | 3-3/4 | 5-1/2 | 13/32 | 14.93 | 11.43 | 25.11 | 11.19 | 118                 |
| 7-1/2      | 3500 | 184TC | 8-5/8                                     | 6-1/2   | 4-1/2 | 3-3/4 | 5-1/2 | 13/32 | 14.93 | 11.43 | 26.61 | 11.19 | 136                 |
| 10         | 3500 | 215TC | 9-1/2                                     | 8       | 5-1/4 | 4-1/4 | 7     | 13/32 | 15.68 | 11.43 | 26.70 | 11.94 | 170                 |

## MATERIAL SPECIFICATIONS

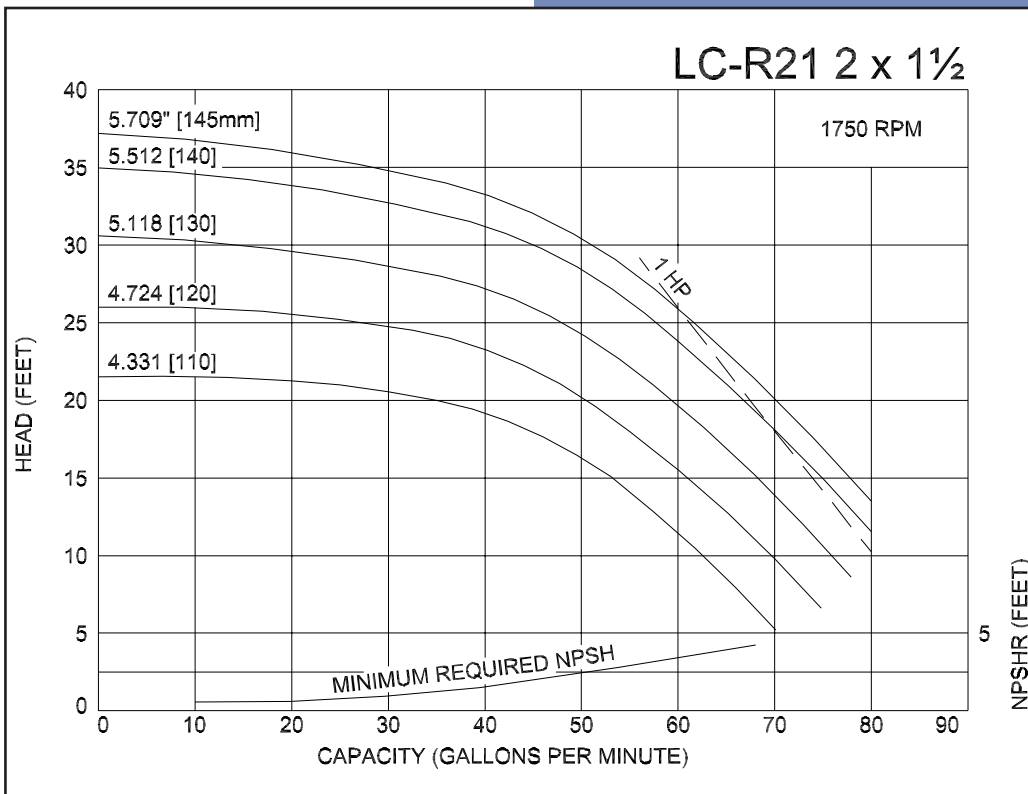
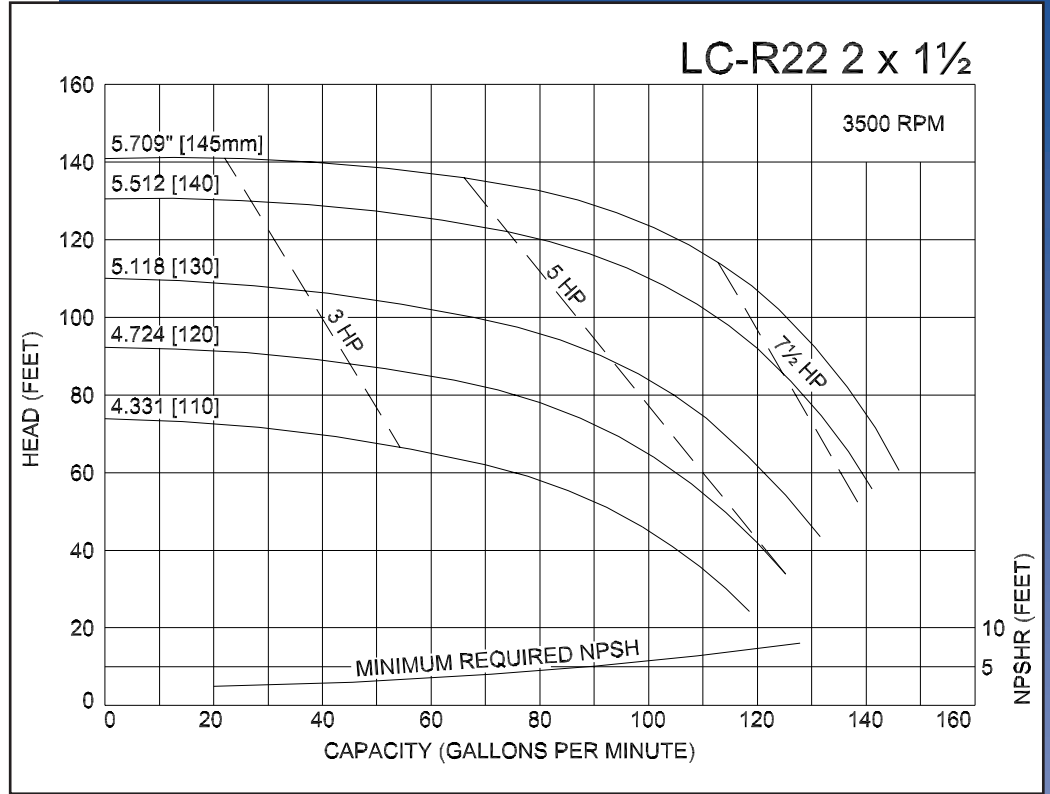
| PART NAME                | STAINLESS STEEL |
|--------------------------|-----------------|
| Casing, Cover & Impeller | 316L Stainless  |
| Stub Shaft               | 316L Stainless  |
| Adapter                  | 304 Stainless   |

MODEL LC-R21 2X1½  
 MODEL LC-R22 2X1½

# Ampco Centrifugal Pumps

Curves show approximate characteristics based on clear 68° water.  
 Rated point is guaranteed.

LC-Series pumps have standard stainless steel adapters and silicon carbide vs. carbon seals.



LC pumps are in conformance with 3A sanitary standards for centrifugal and positive rotary pumps for milk and milk products, Number 02-09.

LC-Series pumps have a standard 32RA (150 grit) finish, on all product contact surfaces.

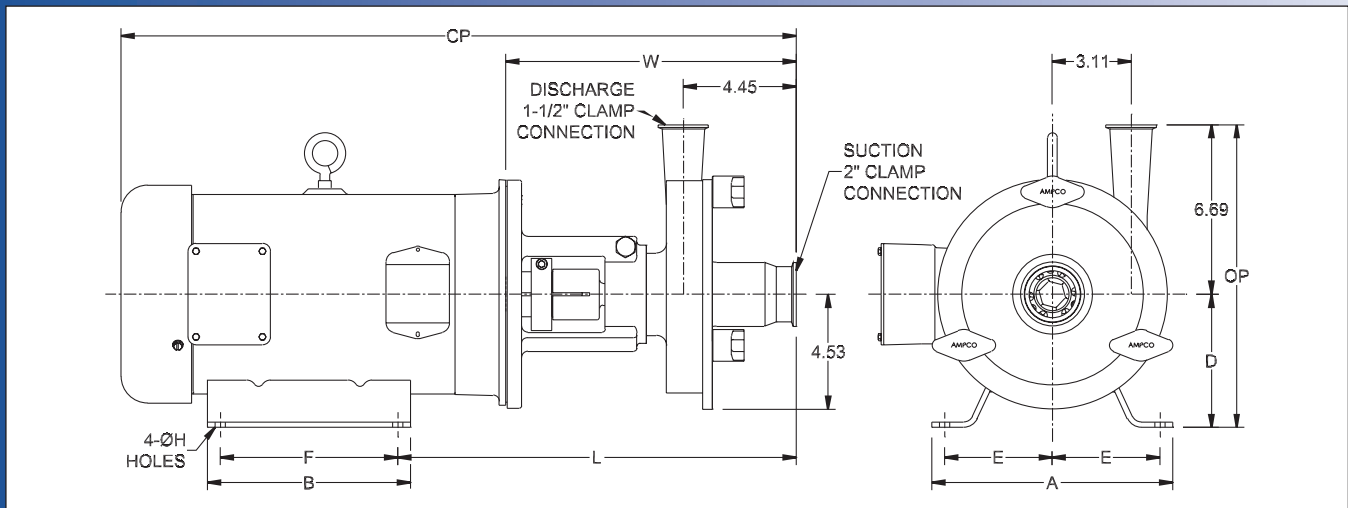
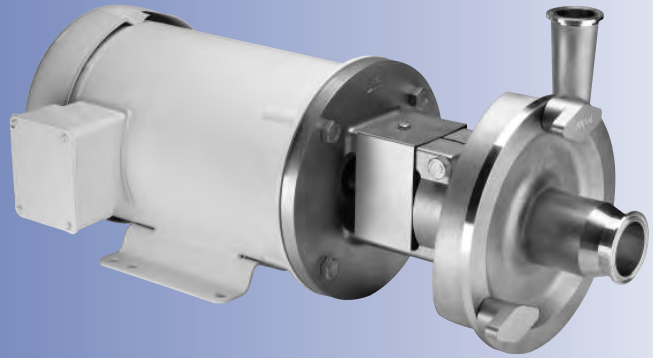
**Ampco  
 Pumps  
 Company**

4424 West Mitchell Street  
 Milwaukee, Wisconsin 53214  
 PHONE (414) 643-1852  
 FAX (414) 643-4452

# Ampco Centrifugal Pumps

## DATA SHEET

MODEL LC-R31 2X1 1/2



| TEFC MOTOR |      |       | DIMENSIONS IN INCHES (For Reference Only) |         |       |       |       |       |       |       |       |       | APPROX WEIGHT (LBS) |
|------------|------|-------|---|---------|-------|-------|-------|-------|-------|-------|-------|-------|---------------------|
| HP         | RPM  | FRAME | A (typ)                                   | B (typ) | D     | E     | F     | ØH    | L     | W     | CP    | OP    |                     |
| 1          | 1750 | 143TC | 6-1/2                                     | 6       | 3-1/2 | 2-3/4 | 4     | 11/32 | 13.37 | 10.62 | 21.68 | 10.19 | 77                  |
| 1-1/2      | 1750 | 145TC | 6-1/2                                     | 6       | 3-1/2 | 2-3/4 | 5     | 11/32 | 13.37 | 10.62 | 21.68 | 10.19 | 83                  |
| 2          | 1750 | 145TC | 6-1/2                                     | 6       | 3-1/2 | 2-3/4 | 5     | 11/32 | 13.37 | 10.62 | 21.68 | 10.19 | 86                  |
| 3          | 1750 | 182TC | 8-5/8                                     | 6-1/2   | 4-1/2 | 3-3/4 | 4-1/2 | 13/32 | 14.93 | 11.43 | 25.11 | 11.19 | 116                 |

## MATERIAL SPECIFICATIONS

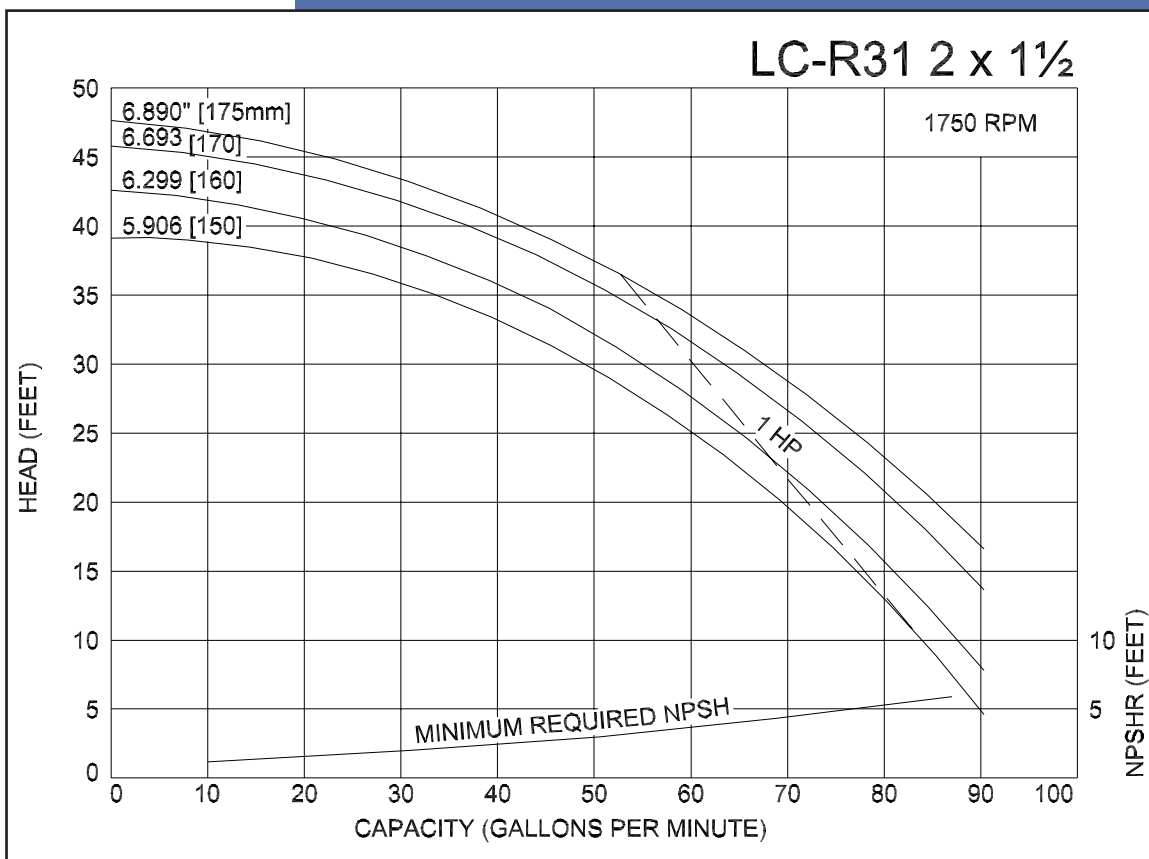
| PART NAME                | STAINLESS STEEL |
|--------------------------|-----------------|
| Casing, Cover & Impeller | 316L Stainless  |
| Stub Shaft               | 316L Stainless  |
| Adapter                  | 304 Stainless   |

# Ampco Centrifugal Pumps

MODEL LC-R31 2X 1½

Curves show approximate characteristics based on clear 68° water.  
Rated point is guaranteed.

LC-Series pumps have standard stainless steel adapters and silicon carbide vs. carbon seals.



LC pumps are in conformance with 3A sanitary standards for centrifugal and positive rotary pumps for milk and milk products, Number 02-09.

LC-Series pumps have a standard 32RA (150 grit) finish, on all product contact surfaces.

## Ampco Pumps Company

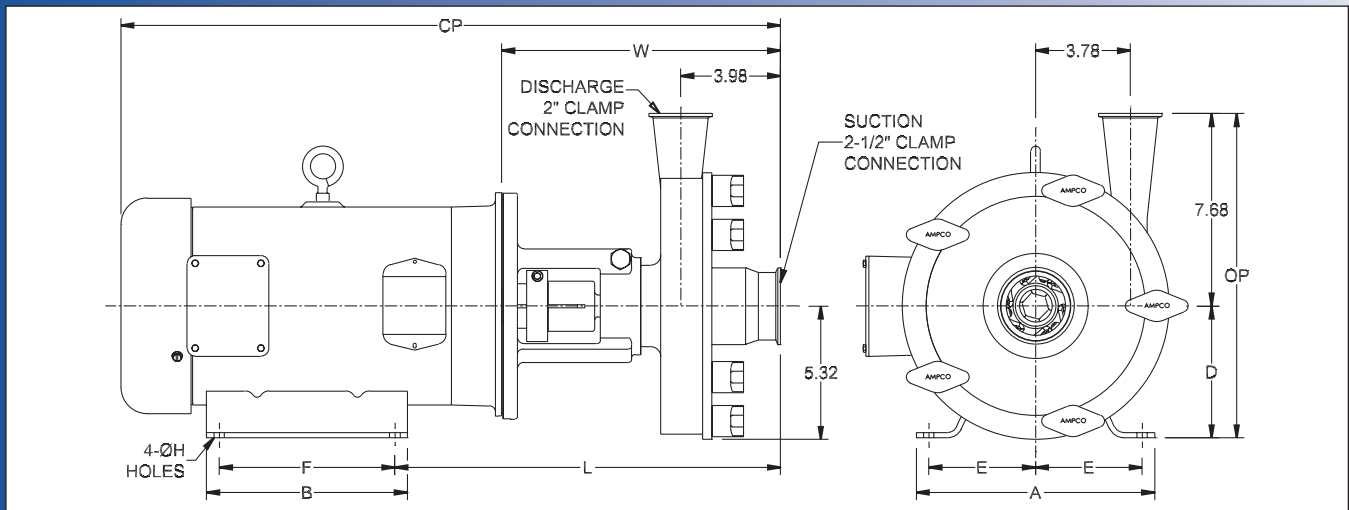
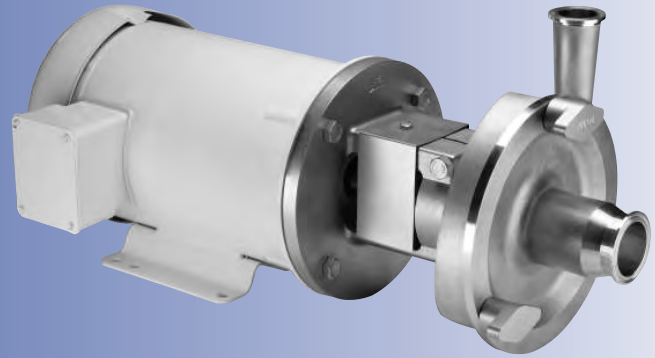
4424 West Mitchell Street - Milwaukee, Wisconsin 53214 - PHONE (414) 643-1852 - FAX (414) 643-4452



# Ampco Centrifugal Pumps

DATA SHEET

MODEL LC-R32 2 1/2 X 2



| TEFC MOTOR |      |       | DIMENSIONS IN INCHES (For Reference Only) |         |       |       |       |       |       |       |       |       | APPROX<br>WEIGHT<br>(LBS) |
|------------|------|-------|---|---------|-------|-------|-------|-------|-------|-------|-------|-------|---------------------------|
| HP         | RPM  | FRAME | A (typ)                                   | B (typ) | D     | E     | F     | ØH    | L     | W     | CP    | OP    |                           |
| 3          | 3500 | 182TC | 8-5/8                                     | 6-1/2   | 4-1/2 | 3-3/4 | 4-1/2 | 13/32 | 14.58 | 11.08 | 23.39 | 12.18 | 118                       |
| 5          | 3500 | 184TC | 8-5/8                                     | 6-1/2   | 4-1/2 | 3-3/4 | 5-1/2 | 13/32 | 14.58 | 11.08 | 24.76 | 12.18 | 132                       |
| 7-1/2      | 3500 | 184TC | 8-5/8                                     | 6-1/2   | 4-1/2 | 3-3/4 | 5-1/2 | 13/32 | 14.58 | 11.08 | 26.26 | 12.18 | 150                       |
| 10         | 3500 | 215TC | 9-1/2                                     | 8       | 5-1/4 | 4-1/4 | 7     | 13/32 | 15.33 | 11.08 | 26.35 | 12.93 | 184                       |
| 15         | 3500 | 215TC | 9-1/2                                     | 8       | 5-1/4 | 4-1/4 | 7     | 13/32 | 15.33 | 11.08 | 28.23 | 12.93 | 224                       |

## MATERIAL SPECIFICATIONS

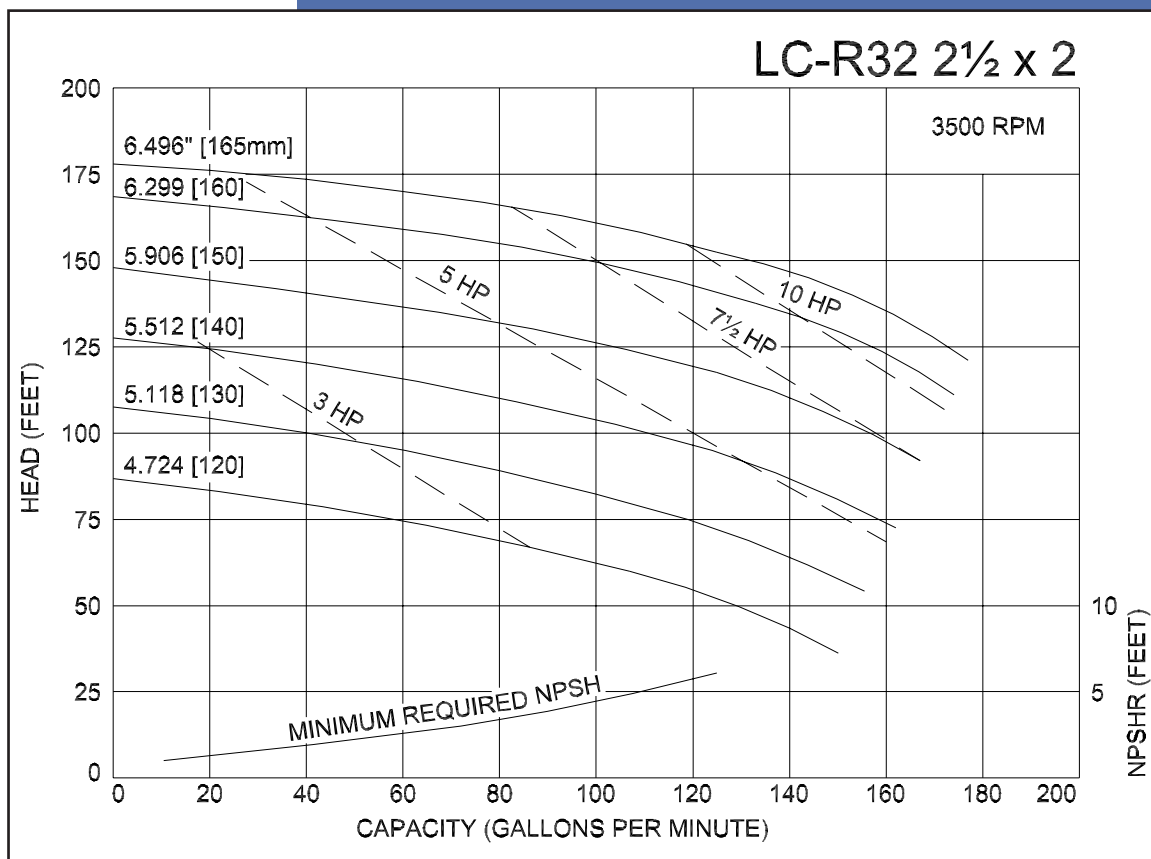
| PART NAME                | STAINLESS STEEL |
|--------------------------|-----------------|
| Casing, Cover & Impeller | 316L Stainless  |
| Stub Shaft               | 316L Stainless  |
| Adapter                  | 304 Stainless   |

# Ampco Centrifugal Pumps

MODEL LC-R32 2½X2

Curves show approximate characteristics based on clear 68° water.  
Rated point is guaranteed.

LC-Series pumps have standard stainless steel adapters and silicon carbide vs. carbon seals.



LC pumps are in conformance with 3A sanitary standards for centrifugal and positive rotary pumps for milk and milk products, Number 02-09.

LC-Series pumps have a standard 32RA (150 grit) finish, on all product contact surfaces.

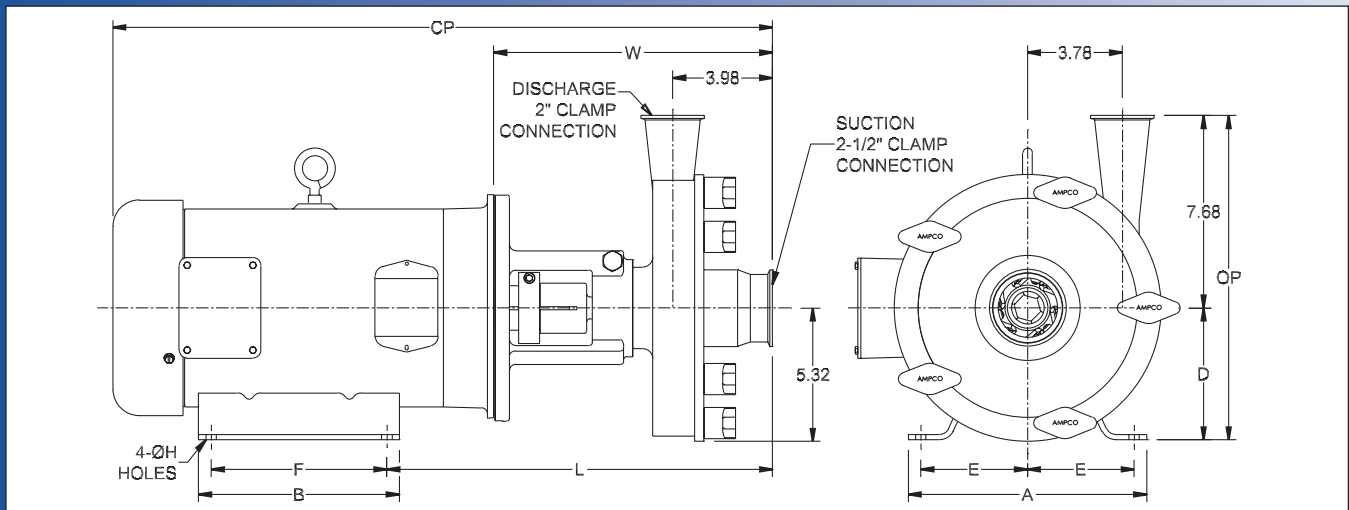
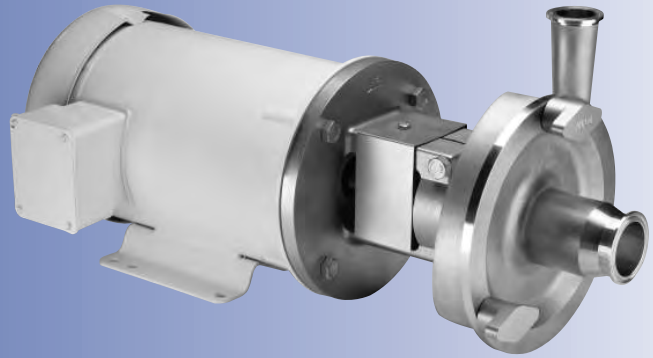
## Ampco Pumps Company

4424 West Mitchell Street - Milwaukee, Wisconsin 53214 - PHONE (414) 643-1852 - FAX (414) 643-4452

# Ampco Centrifugal Pumps

## DATA SHEET

MODEL LC-R41 2 1/2 X 2  
MODEL LC-R42 2 1/2 X 2



| TEFC MOTOR |      |        | DIMENSIONS IN INCHES (For Reference Only) |         |       |       |       |       |       |       |       |       | APPROX<br>WEIGHT<br>(LBS) |
|------------|------|--------|---|---------|-------|-------|-------|-------|-------|-------|-------|-------|---------------------------|
| HP         | RPM  | FRAME  | A (typ)                                   | B (typ) | D     | E     | F     | ØH    | L     | W     | CP    | OP    |                           |
| 1          | 1750 | 143TC  | 6-1/2                                     | 6       | 3-1/2 | 2-3/4 | 4     | 11/32 | 13.02 | 10.27 | 21.33 | 11.18 | 91                        |
| 1-1/2      | 1750 | 145TC  | 6-1/2                                     | 6       | 3-1/2 | 2-3/4 | 5     | 11/32 | 13.02 | 10.27 | 21.33 | 11.18 | 97                        |
| 2          | 1750 | 145TC  | 6-1/2                                     | 6       | 3-1/2 | 2-3/4 | 5     | 11/32 | 13.02 | 10.27 | 21.33 | 11.18 | 100                       |
| 3          | 1750 | 182TC  | 8-5/8                                     | 6-1/2   | 4-1/2 | 3-3/4 | 4-1/2 | 13/32 | 14.58 | 11.08 | 24.77 | 12.18 | 130                       |
| 7-1/2      | 3500 | 184TC  | 8-5/8                                     | 6-1/2   | 4-1/2 | 3-3/4 | 5-1/2 | 13/32 | 14.58 | 11.08 | 26.26 | 12.18 | 150                       |
| 10         | 3500 | 215TC  | 9-1/2                                     | 8       | 5-1/4 | 4-1/4 | 7     | 13/32 | 15.33 | 11.08 | 26.26 | 12.93 | 184                       |
| 15         | 3500 | 215TC  | 9-1/2                                     | 8       | 5-1/4 | 4-1/4 | 7     | 13/32 | 15.33 | 11.08 | 26.35 | 12.93 | 224                       |
| 20         | 3500 | 256TC  | 11-1/2                                    | 11-1/2  | 6-1/4 | 5     | 10    | 17/32 | 16.95 | 12.20 | 31.54 | 13.93 | 329                       |
| 25         | 3500 | 284TSC | 12-3/4                                    | 12-3/4  | 7     | 5-1/2 | 9-1/2 | 17/32 | 18.27 | 13.52 | 36.65 | 14.68 | 447                       |

## MATERIAL SPECIFICATIONS

| PART NAME                | STAINLESS STEEL |
|--------------------------|-----------------|
| Casing, Cover & Impeller | 316L Stainless  |
| Stub Shaft               | 316L Stainless  |
| Adapter                  | 304 Stainless   |

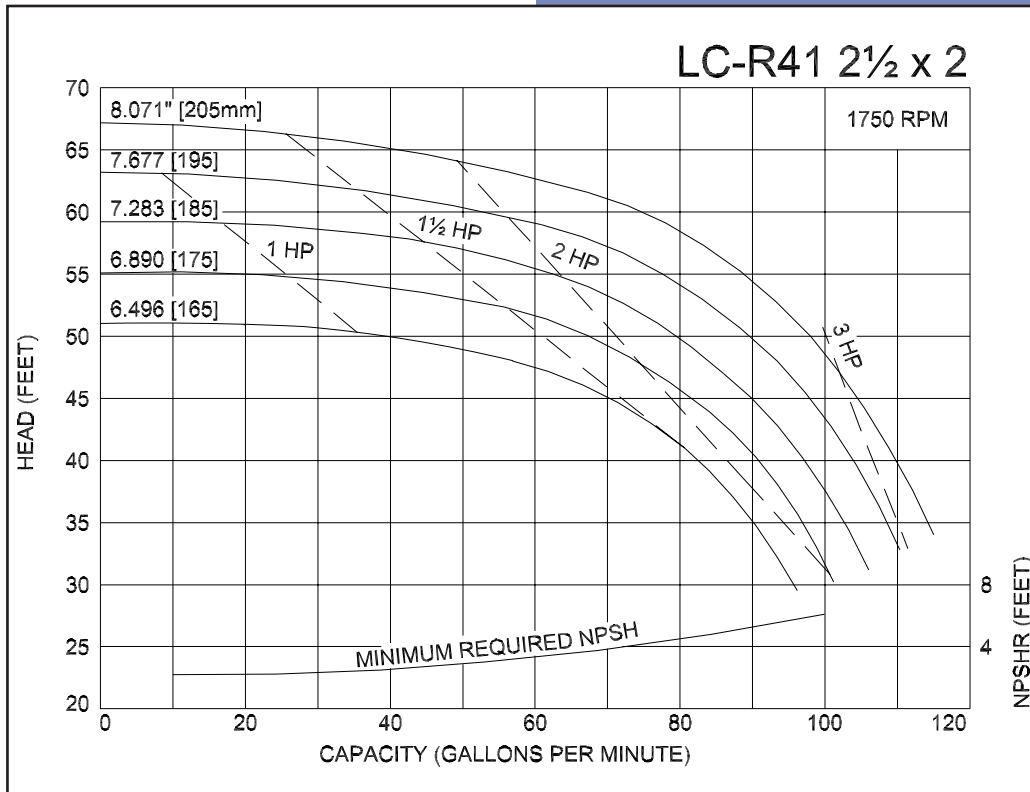
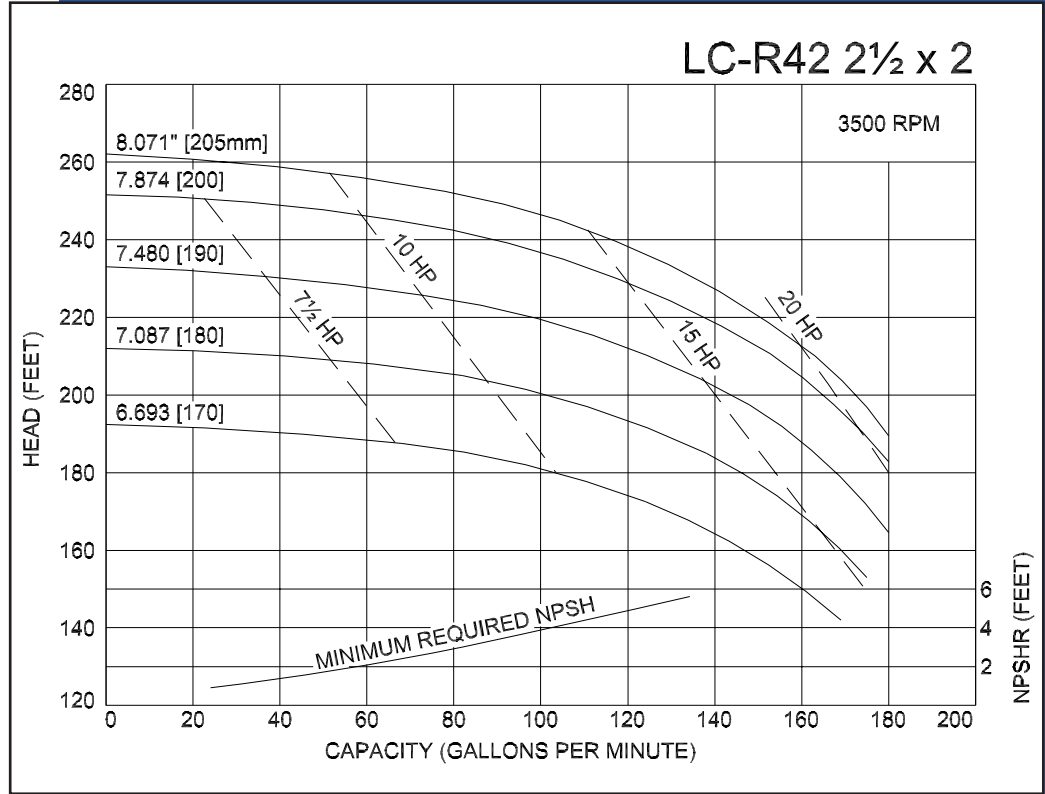


MODEL LC-R41 2½ X2  
 MODEL LC-R42 2½ X2

# Ampco Centrifugal Pumps

Curves show approximate characteristics based on clear 68° water.  
 Rated point is guaranteed.

LC-Series pumps have standard stainless steel adapters and silicon carbide vs. carbon seals.



LC pumps are in conformance with 3A sanitary standards for centrifugal and positive rotary pumps for milk and milk products, Number 02-09.

LC-Series pumps have a standard 32RA (150 grit) finish, on all product contact surfaces.

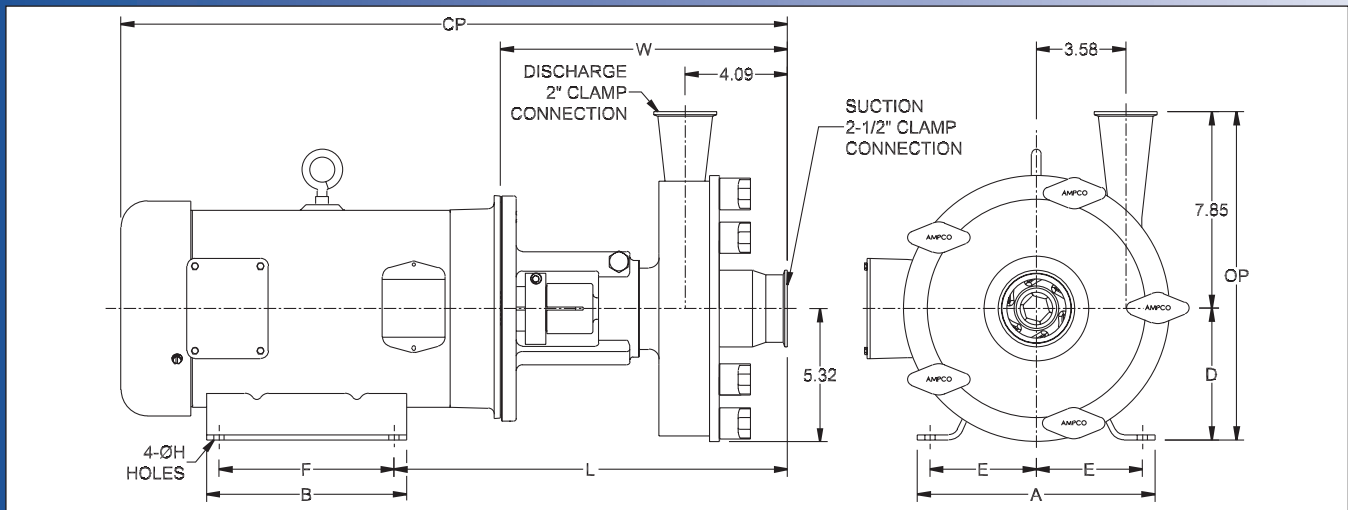
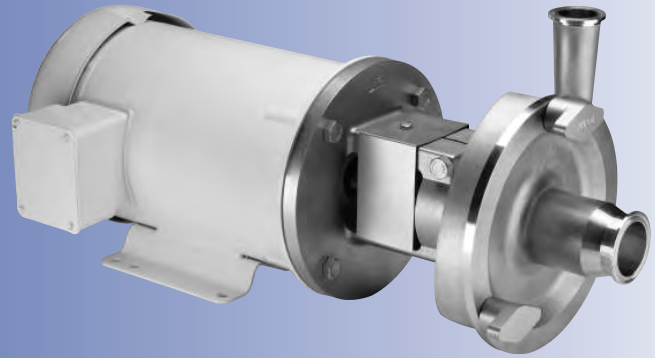
## Ampco Pumps Company

4424 West Mitchell Street  
 Milwaukee, Wisconsin 53214  
 PHONE (414) 643-1852  
 FAX (414) 643-4452

# Ampco Centrifugal Pumps

## DATA SHEET

MODEL LC-R132 2 1/2 X2



| TEFC MOTOR |      |        | DIMENSIONS IN INCHES (For Reference Only) |         |       |       |       |       |       |       |       |       | APPROX<br>WEIGHT<br>(LBS) |
|------------|------|--------|---|---------|-------|-------|-------|-------|-------|-------|-------|-------|---------------------------|
| HP         | RPM  | FRAME  | A (typ)                                   | B (typ) | D     | E     | F     | ØH    | L     | W     | CP    | OP    |                           |
| 7-1/2      | 3500 | 184TC  | 8-5/8                                     | 6-1/2   | 4-1/2 | 3-3/4 | 5-1/2 | 13/32 | 14.96 | 11.46 | 26.64 | 12.37 | 160                       |
| 10         | 3500 | 215TC  | 9-1/2                                     | 8       | 5-1/4 | 4-1/4 | 7     | 13/32 | 15.71 | 11.46 | 26.73 | 13.12 | 190                       |
| 15         | 3500 | 215TC  | 9-1/2                                     | 8       | 5-1/4 | 4-1/4 | 7     | 13/32 | 15.71 | 11.46 | 28.61 | 13.12 | 232                       |
| 20         | 3500 | 256TC  | 11-1/2                                    | 11-1/2  | 6-1/4 | 5     | 10    | 17/32 | 17.33 | 12.58 | 31.92 | 14.12 | 335                       |
| 25         | 3500 | 284TSC | 12-3/4                                    | 12-3/4  | 7     | 5-1/2 | 9-1/2 | 17/32 | 18.64 | 13.89 | 37.02 | 14.87 | 453                       |
| 30         | 3500 | 286TSC | 12-3/4                                    | 12-3/4  | 7     | 5-1/2 | 11    | 17/32 | 18.64 | 13.89 | 37.02 | 14.87 | 475                       |

## MATERIAL SPECIFICATIONS

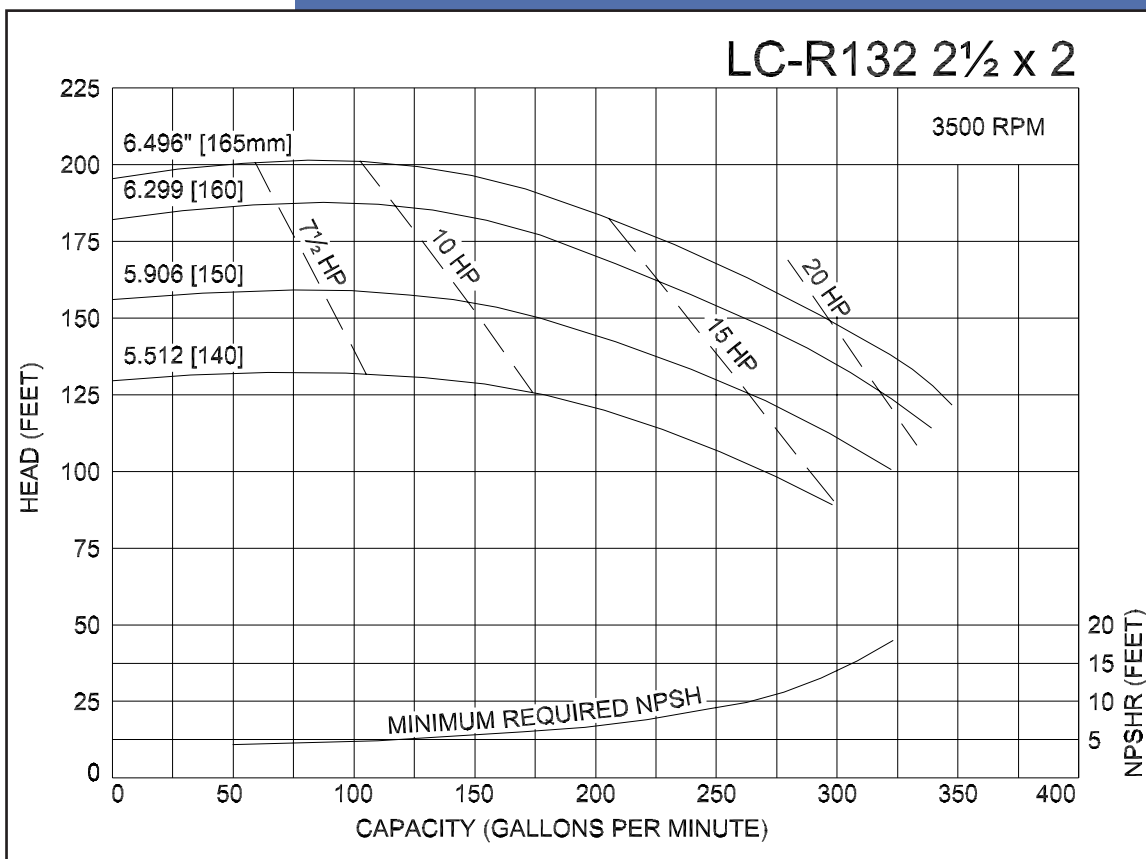
| PART NAME                | STAINLESS STEEL |
|--------------------------|-----------------|
| Casing, Cover & Impeller | 316L Stainless  |
| Stub Shaft               | 316L Stainless  |
| Adapter                  | 304 Stainless   |

# Ampco Centrifugal Pumps

MODEL LC-R132 2½ X2

Curves show approximate characteristics based on clear 68° water.  
Rated point is guaranteed.

LC-Series pumps have standard stainless steel adapters and silicon carbide vs. carbon seals.



LC pumps are in conformance with 3A sanitary standards for centrifugal and positive rotary pumps for milk and milk products, Number 02-09.

LC-Series pumps have a standard 32RA (150 grit) finish, on all product contact surfaces.

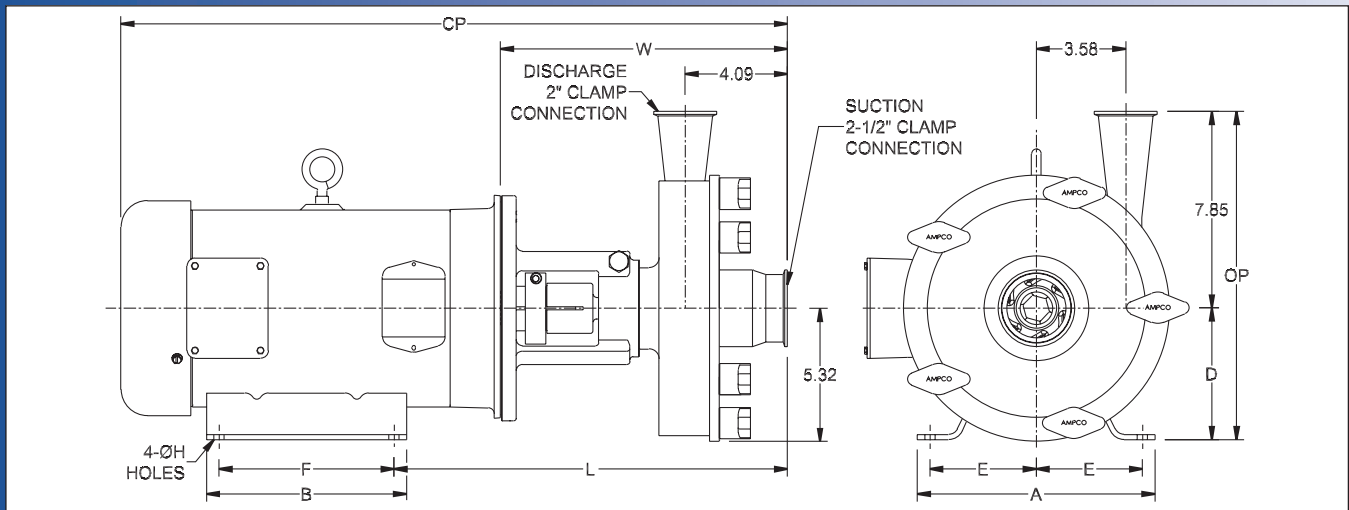
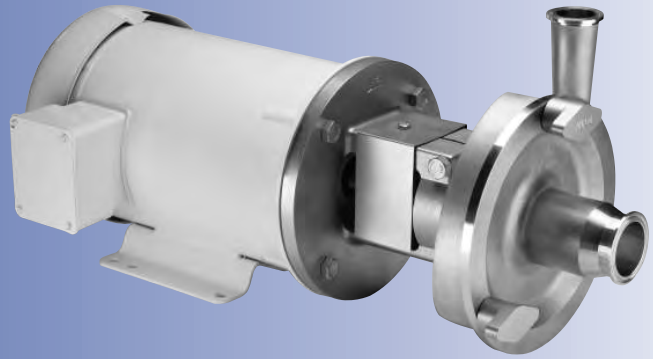
## Ampco Pumps Company

4424 West Mitchell Street - Milwaukee, Wisconsin 53214 - PHONE (414) 643-1852 - FAX (414) 643-4452

# Ampco Centrifugal Pumps

## DATA SHEET

MODEL LC-R141 2 1/2 X2  
MODEL LC-R142 2 1/2 X2



| TEFC MOTOR |      |        | DIMENSIONS IN INCHES (For Reference Only) |         |       |       |        |       |       |       |       |       | APPROX WEIGHT (LBS) |
|------------|------|--------|---|---------|-------|-------|--------|-------|-------|-------|-------|-------|---------------------|
| HP         | RPM  | FRAME  | A (typ)                                   | B (typ) | D     | E     | F      | ØH    | L     | W     | CP    | OP    |                     |
| 1          | 1750 | 143TC  | 6-1/2                                     | 6       | 3-1/2 | 2-3/4 | 4      | 11/32 | 13.40 | 10.65 | 21.71 | 11.37 | 101                 |
| 1-1/2      | 1750 | 145TC  | 6-1/2                                     | 6       | 3-1/2 | 2-3/4 | 5      | 11/32 | 13.40 | 10.65 | 21.71 | 11.37 | 107                 |
| 2          | 1750 | 145TC  | 6-1/2                                     | 6       | 3-1/2 | 2-3/4 | 5      | 11/32 | 13.40 | 10.65 | 21.71 | 11.37 | 110                 |
| 3          | 1750 | 182TC  | 8-5/8                                     | 6-1/2   | 4-1/2 | 3-3/4 | 4-1/2  | 13/32 | 14.96 | 11.46 | 25.15 | 12.37 | 137                 |
| 5          | 1750 | 184TC  | 8-5/8                                     | 6-1/2   | 4-1/2 | 3-3/4 | 5-1/2  | 13/32 | 14.96 | 11.46 | 25.77 | 12.37 | 144                 |
| 7-1/2      | 1750 | 213TC  | 9-1/2                                     | 8       | 5-1/4 | 4-1/4 | 5-1/2  | 13/32 | 15.71 | 11.46 | 26.64 | 13.12 | 161                 |
| 10         | 3500 | 215TC  | 9-1/2                                     | 8       | 5-1/4 | 4-1/4 | 7      | 13/32 | 15.71 | 11.46 | 26.73 | 13.12 | 191                 |
| 15         | 3500 | 215TC  | 9-1/2                                     | 8       | 5-1/4 | 4-1/4 | 7      | 13/32 | 15.71 | 11.46 | 26.73 | 13.12 | 233                 |
| 20         | 3500 | 256TC  | 11-1/2                                    | 11-1/2  | 6-1/4 | 5     | 10     | 17/32 | 17.33 | 12.58 | 28.61 | 14.12 | 336                 |
| 25         | 3500 | 284TSC | 12-3/4                                    | 12-3/4  | 7     | 5-1/2 | 9-1/2  | 17/32 | 18.64 | 13.89 | 31.92 | 14.87 | 454                 |
| 30         | 3500 | 286TSC | 12-3/4                                    | 12-3/4  | 7     | 5-1/2 | 11     | 17/32 | 18.64 | 13.89 | 37.02 | 14.87 | 476                 |
| 40         | 3500 | 324TSC | 14-1/2                                    | 14      | 8     | 6-1/4 | 10-1/2 | 21/32 | 19.77 | 14.52 | 39.52 | 15.87 | 590                 |
| 50         | 3500 | 326TSC | 14-1/2                                    | 14      | 8     | 6-1/4 | 12     | 21/32 | 19.77 | 14.52 | 39.52 | 15.87 | 699                 |

## MATERIAL SPECIFICATIONS

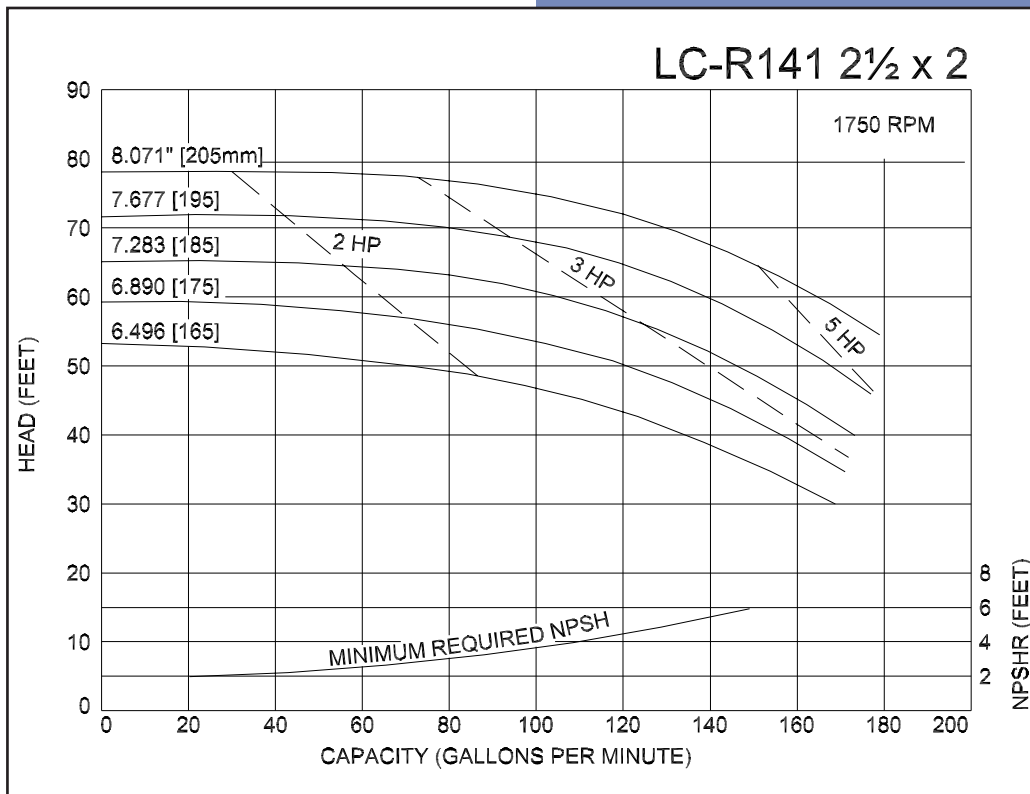
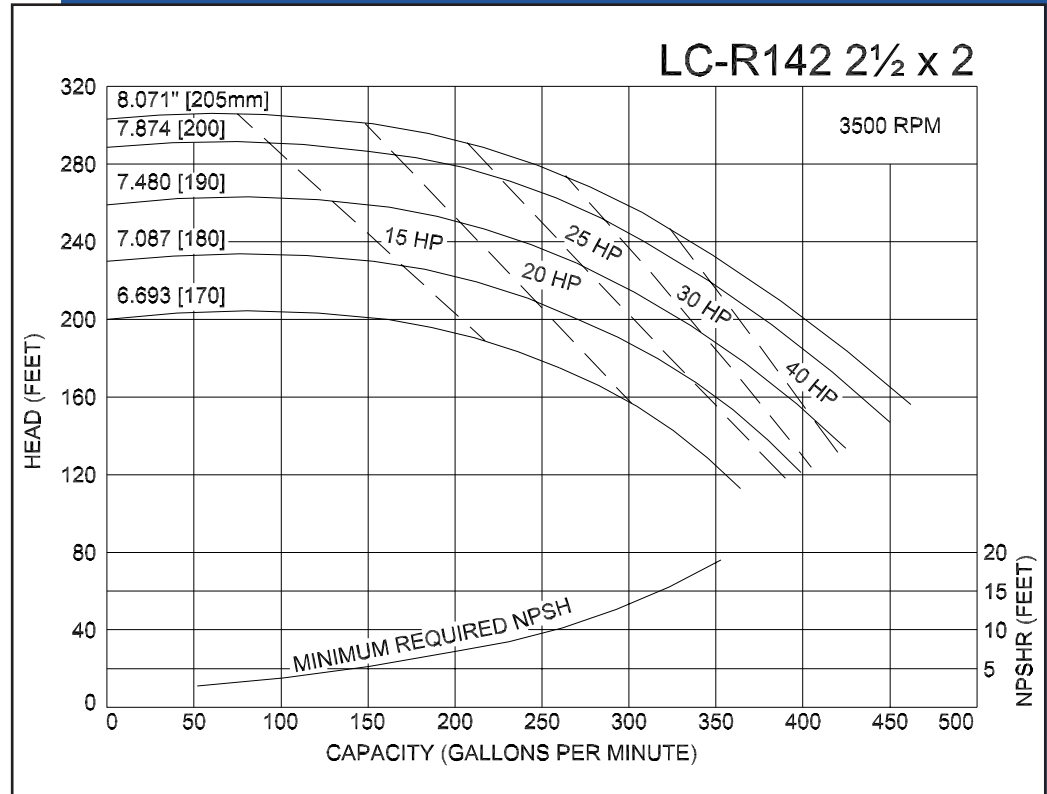
| PART NAME                | STAINLESS STEEL |
|--------------------------|-----------------|
| Casing, Cover & Impeller | 316L Stainless  |
| Stub Shaft               | 316L Stainless  |
| Adapter                  | 304 Stainless   |

# Ampco Centrifugal Pumps

MODEL LC-R141 2 1/2 X 2  
 MODEL LC-R142 2 1/2 X 2

Curves show approximate characteristics based on clear 68° water. Rated point is guaranteed.

LC-Series pumps have standard stainless steel adapters and silicon carbide vs. carbon seals.



LC pumps are in conformance with 3A sanitary standards for centrifugal and positive rotary pumps for milk and milk products, Number 02-09.

LC-Series pumps have a standard 32RA (150 grit) finish, on all product contact surfaces.

## Ampco Pumps Company

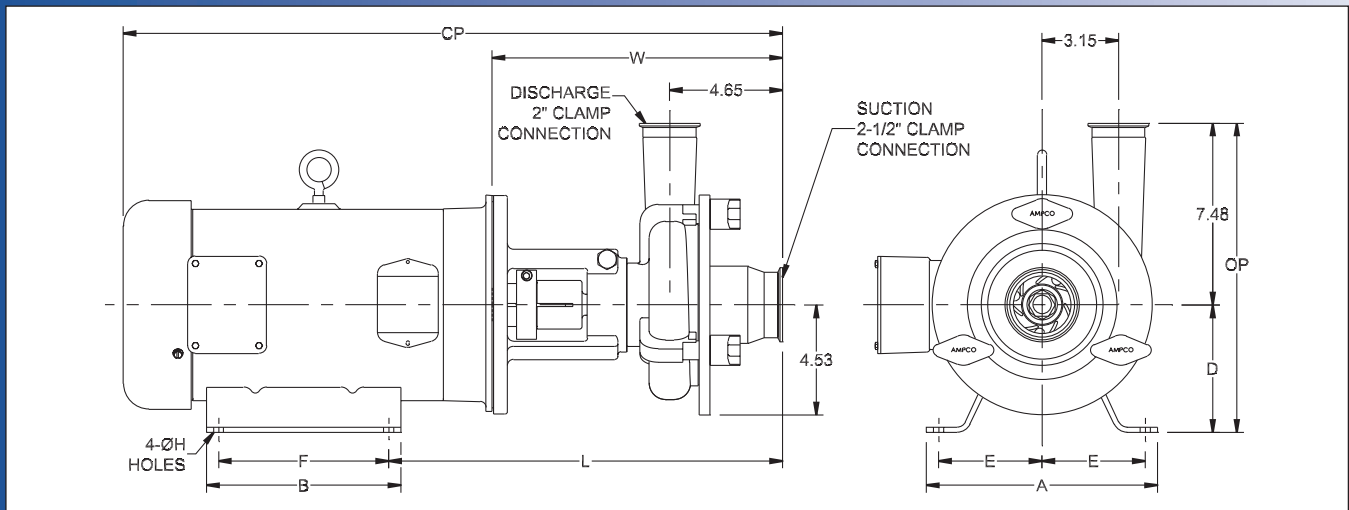
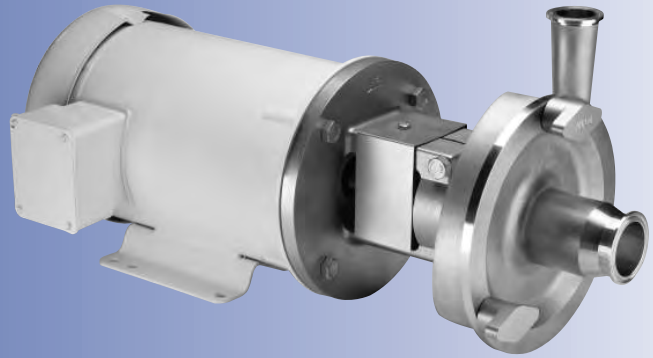
4424 West Mitchell Street  
 Milwaukee, Wisconsin 53214  
 PHONE (414) 643-1852  
 FAX (414) 643-4452



# Ampco Centrifugal Pumps

## DATA SHEET

MODEL LC-V521 2 1/2 X 2  
MODEL LC-V522 2 1/2 X 2



| TEFC MOTOR |      |       | DIMENSIONS IN INCHES (For Reference Only) |         |       |       |       |       |       |       |       |       | APPROX WEIGHT (LBS) |
|------------|------|-------|---|---------|-------|-------|-------|-------|-------|-------|-------|-------|---------------------|
| HP         | RPM  | FRAME | A (typ)                                   | B (typ) | D     | E     | F     | ØH    | L     | W     | CP    | OP    |                     |
| 1          | 1750 | 143TC | 6-1/2                                     | 6       | 3-1/2 | 2-3/4 | 4     | 11/32 | 13.85 | 11.10 | 22.16 | 10.98 | 83                  |
| 1-1/2      | 1750 | 145TC | 6-1/2                                     | 6       | 3-1/2 | 2-3/4 | 5     | 11/32 | 13.85 | 11.10 | 22.16 | 10.98 | 89                  |
| 2          | 1750 | 145TC | 6-1/2                                     | 6       | 3-1/2 | 2-3/4 | 5     | 11/32 | 13.85 | 11.10 | 22.16 | 10.98 | 92                  |
| 5          | 3500 | 184TC | 8-5/8                                     | 6-1/2   | 4-1/2 | 3-3/4 | 5-1/2 | 13/32 | 15.41 | 11.91 | 25.59 | 11.98 | 124                 |
| 7-1/2      | 3500 | 184TC | 8-5/8                                     | 6-1/2   | 4-1/2 | 3-3/4 | 5-1/2 | 13/32 | 15.41 | 11.91 | 27.09 | 11.98 | 142                 |
| 10         | 3500 | 215TC | 9-1/2                                     | 8       | 5-1/4 | 4-1/4 | 7     | 13/32 | 16.16 | 11.91 | 27.18 | 12.73 | 176                 |
| 15         | 3500 | 215TC | 9-1/2                                     | 8       | 5-1/4 | 4-1/4 | 7     | 13/32 | 16.16 | 11.91 | 29.06 | 12.73 | 216                 |

## MATERIAL SPECIFICATIONS

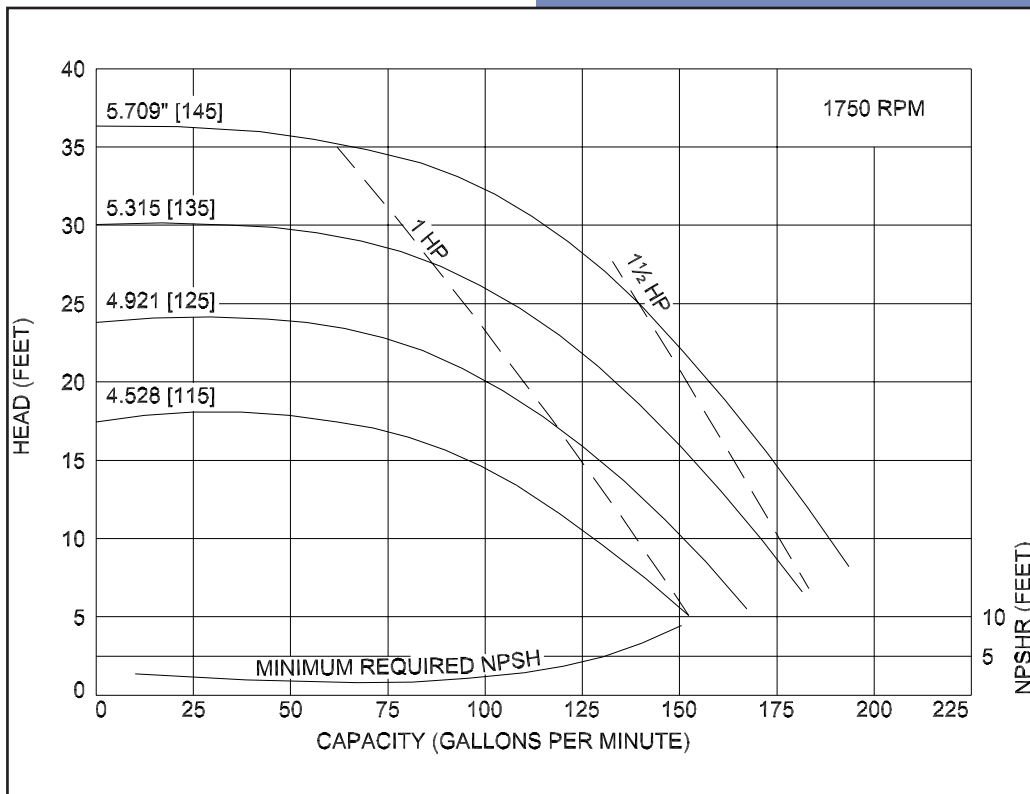
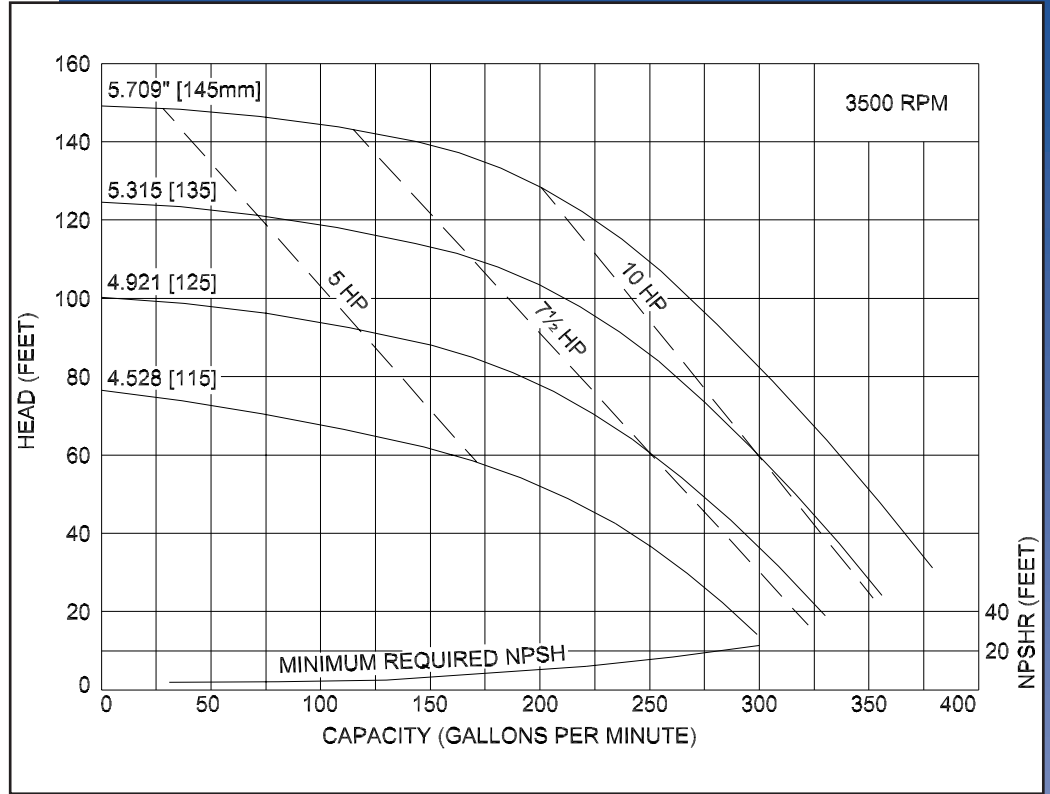
| PART NAME                | STAINLESS STEEL |
|--------------------------|-----------------|
| Casing, Cover & Impeller | 316L Stainless  |
| Stub Shaft               | 316L Stainless  |
| Adapter                  | 304 Stainless   |

# Ampco Centrifugal Pumps

MODEL LC-V521 2½X2  
 MODEL LC-V522 2½X2

Curves show approximate characteristics based on clear 68° water.  
 Rated point is guaranteed.

LC-Series pumps have standard stainless steel adapters and silicon carbide vs. carbon seals.



LC pumps are in conformance with 3A sanitary standards for centrifugal and positive rotary pumps for milk and milk products, Number 02-09.

LC-Series pumps have a standard 32RA (150 grit) finish, on all product contact surfaces.

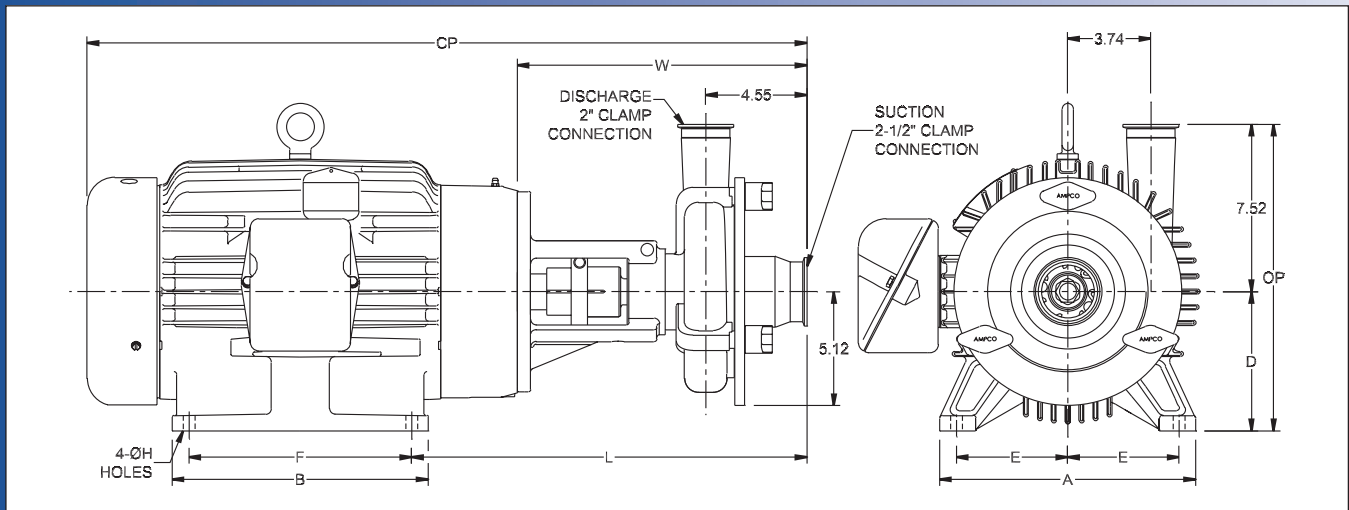
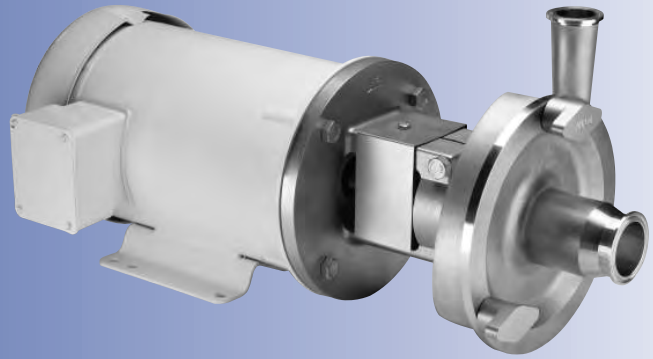
## Ampco Pumps Company

4424 West Mitchell Street  
 Milwaukee, Wisconsin 53214  
 PHONE (414) 643-1852  
 FAX (414) 643-4452

# Ampco Centrifugal Pumps

## DATA SHEET

MODEL LC-V531 2 1/2 X 2  
MODEL LC-V532 2 1/2 X 2



| TEFC MOTOR |      |        | DIMENSIONS IN INCHES (For Reference Only) |         |       |       |       |       |       |       |       |       | APPROX WEIGHT (LBS) |
|------------|------|--------|---|---------|-------|-------|-------|-------|-------|-------|-------|-------|---------------------|
| HP         | RPM  | FRAME  | A (typ)                                   | B (typ) | D     | E     | F     | ØH    | L     | W     | CP    | OP    |                     |
| 1          | 1750 | 143TC  | 6-1/2                                     | 6       | 3-1/2 | 2-3/4 | 4     | 11/32 | 13.85 | 11.10 | 22.16 | 11.02 | 89                  |
| 1-1/2      | 1750 | 145TC  | 6-1/2                                     | 6       | 3-1/2 | 2-3/4 | 5     | 11/32 | 13.85 | 11.10 | 22.16 | 11.02 | 95                  |
| 2          | 1750 | 145TC  | 6-1/2                                     | 6       | 3-1/2 | 2-3/4 | 5     | 11/32 | 13.85 | 11.10 | 22.16 | 11.02 | 98                  |
| 3          | 1750 | 182TC  | 8-5/8                                     | 6-1/2   | 4-1/2 | 3-3/4 | 4-1/2 | 13/32 | 15.41 | 11.91 | 25.60 | 12.02 | 128                 |
| 5          | 1750 | 184TC  | 8-5/8                                     | 6-1/2   | 4-1/2 | 3-3/4 | 5-1/2 | 13/32 | 15.41 | 11.91 | 27.09 | 12.02 | 135                 |
| 5          | 3500 | 184TC  | 8-5/8                                     | 6-1/2   | 4-1/2 | 3-3/4 | 5-1/2 | 13/32 | 15.41 | 11.91 | 25.59 | 12.02 | 185                 |
| 7-1/2      | 3500 | 184TC  | 8-5/8                                     | 6-1/2   | 4-1/2 | 3-3/4 | 5-1/2 | 13/32 | 15.41 | 11.91 | 27.09 | 12.02 | 195                 |
| 10         | 3500 | 215TC  | 9-1/2                                     | 8       | 5-1/4 | 4-1/4 | 7     | 13/32 | 16.16 | 11.91 | 27.18 | 12.77 | 310                 |
| 15         | 3500 | 215TC  | 9-1/2                                     | 8       | 5-1/4 | 4-1/4 | 7     | 13/32 | 16.16 | 11.91 | 29.06 | 12.77 | 331                 |
| 20         | 3500 | 256TC  | 11-1/2                                    | 11-1/2  | 6-1/4 | 5     | 10    | 17/32 | 17.78 | 13.03 | 32.37 | 13.77 | 458                 |
| 25         | 3500 | 284TSC | 12-3/4                                    | 12-3/4  | 7     | 5-1/2 | 9-1/2 | 17/32 | 19.10 | 14.35 | 37.48 | 14.52 | 469                 |

## MATERIAL SPECIFICATIONS

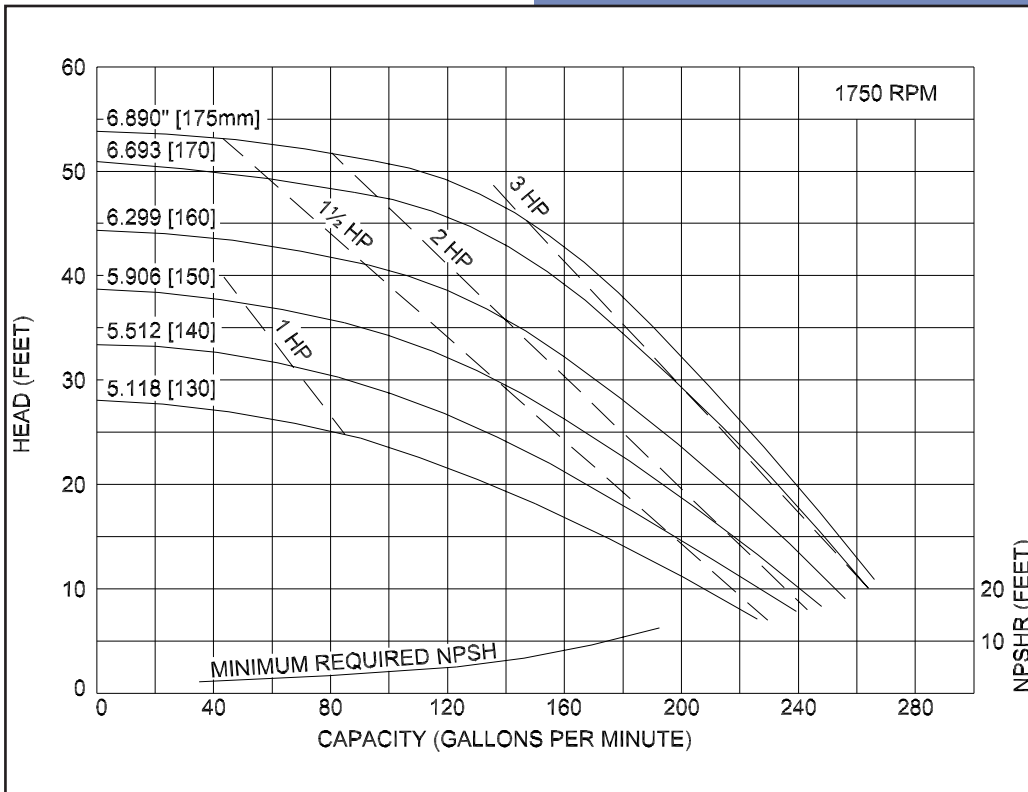
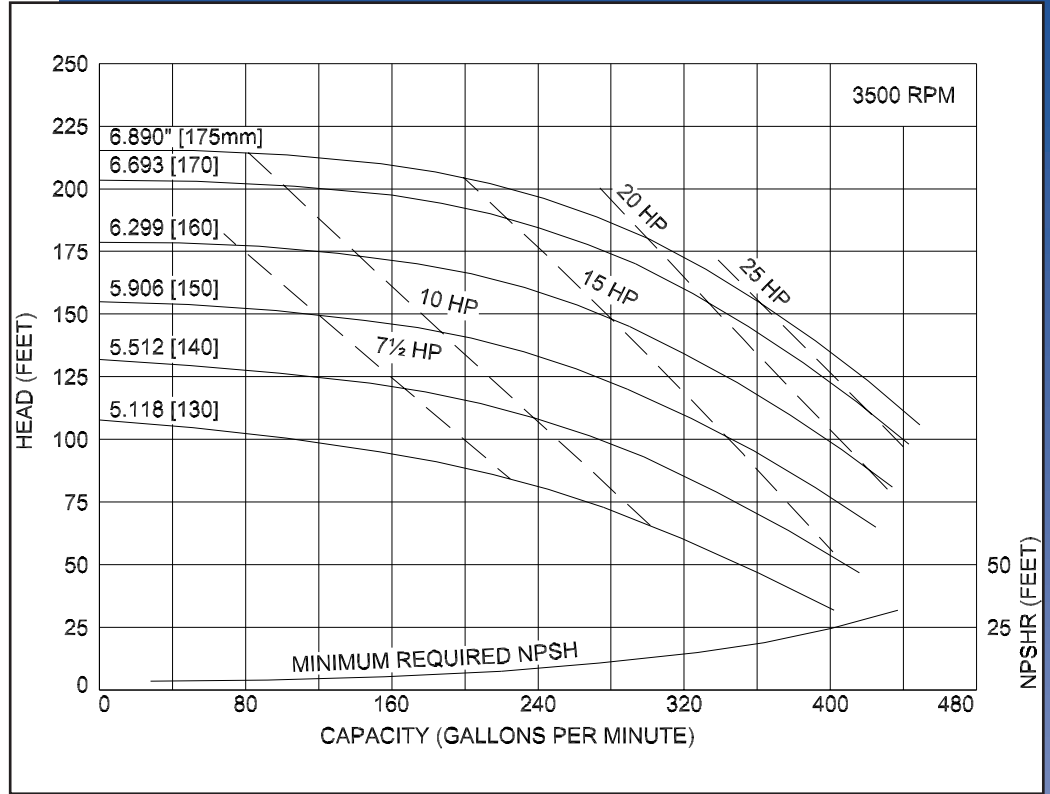
| PART NAME                | STAINLESS STEEL |
|--------------------------|-----------------|
| Casing, Cover & Impeller | 316L Stainless  |
| Stub Shaft               | 316L Stainless  |
| Adapter                  | 304 Stainless   |

# Ampco Centrifugal Pumps

MODEL LC-V531 2 1/2 X 2  
 MODEL LC-V532 2 1/2 X 2

Curves show approximate characteristics based on clear 68° water. Rated point is guaranteed.

LC-Series pumps have standard stainless steel adapters and silicon carbide vs. carbon seals.



LC pumps are in conformance with 3A sanitary standards for centrifugal and positive rotary pumps for milk and milk products, Number 02-09.

LC-Series pumps have a standard 32RA (150 grit) finish, on all product contact surfaces.

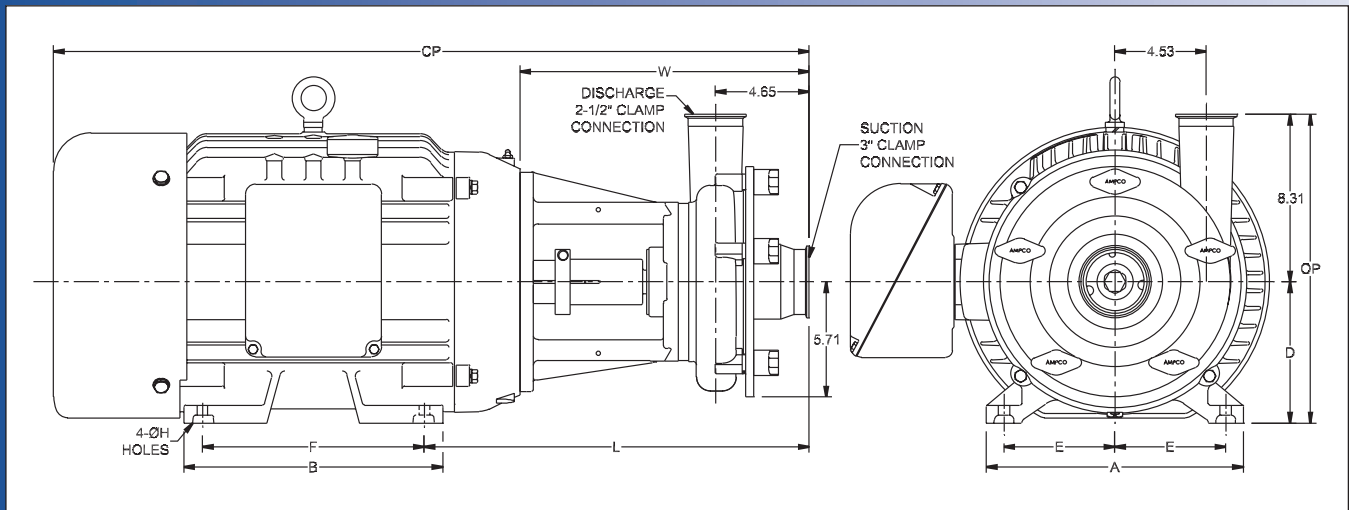
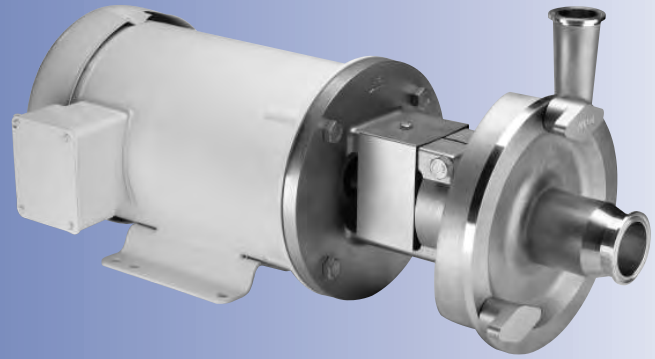
**Ampco  
 Pumps  
 Company**

4424 West Mitchell Street  
 Milwaukee, Wisconsin 53214  
 PHONE (414) 643-1852  
 FAX (414) 643-4452

# Ampco Centrifugal Pumps

## DATA SHEET

MODEL LC-V541 3X2<sup>1</sup>/<sub>2</sub>  
MODEL LC-V542 3X2<sup>1</sup>/<sub>2</sub>



| TEFC MOTOR |      |        | DIMENSIONS IN INCHES (For Reference Only) |         |       |       |        |       |       |       |       |       | APPROX WEIGHT (LBS) |
|------------|------|--------|---|---------|-------|-------|--------|-------|-------|-------|-------|-------|---------------------|
| HP         | RPM  | FRAME  | A (typ)                                   | B (typ) | D     | E     | F      | ØH    | L     | W     | CP    | OP    |                     |
| 2          | 1750 | 145TC  | 6-1/2                                     | 6       | 3-1/2 | 2-3/4 | 5      | 11/32 | 13.85 | 11.10 | 22.16 | 11.81 | 114                 |
| 3          | 1750 | 182TC  | 8-5/8                                     | 6-1/2   | 4-1/2 | 2-3/4 | 4-1/2  | 13/32 | 15.41 | 11.91 | 25.60 | 12.81 | 144                 |
| 5          | 1750 | 184TC  | 8-5/8                                     | 6-1/2   | 4-1/2 | 3-3/4 | 5-1/2  | 13/32 | 15.41 | 11.91 | 27.09 | 12.81 | 151                 |
| 7-1/2      | 1750 | 213TC  | 9-1/2                                     | 8       | 5-1/4 | 4-1/4 | 5-1/2  | 13/32 | 16.16 | 11.91 | 27.18 | 13.56 | 202                 |
| 10         | 3500 | 215TC  | 9-1/2                                     | 8       | 5-1/4 | 4-1/4 | 7      | 13/32 | 16.16 | 11.91 | 27.18 | 13.56 | 198                 |
| 15         | 3500 | 215TC  | 9-1/2                                     | 8       | 5-1/4 | 4-1/4 | 7      | 13/32 | 16.16 | 11.91 | 29.06 | 13.56 | 238                 |
| 20         | 3500 | 256TC  | 11-1/2                                    | 11-1/2  | 6-1/4 | 5     | 10     | 17/32 | 17.78 | 13.03 | 32.37 | 14.56 | 343                 |
| 25         | 3500 | 284TSC | 12-3/4                                    | 12-3/4  | 7     | 5-1/2 | 9-1/2  | 17/32 | 19.10 | 14.35 | 37.48 | 15.31 | 461                 |
| 30         | 3500 | 286TSC | 12-3/4                                    | 12-3/4  | 7     | 5-1/2 | 11     | 17/32 | 19.10 | 14.35 | 37.48 | 15.31 | 483                 |
| 40         | 3500 | 324TSC | 14-1/2                                    | 14      | 8     | 6-1/4 | 10-1/2 | 21/32 | 20.23 | 14.98 | 39.98 | 16.31 | 597                 |
| 50         | 3500 | 326TSC | 14-1/2                                    | 14      | 8     | 6-1/4 | 12     | 21/32 | 20.23 | 14.98 | 39.98 | 16.31 | 706                 |

## MATERIAL SPECIFICATIONS

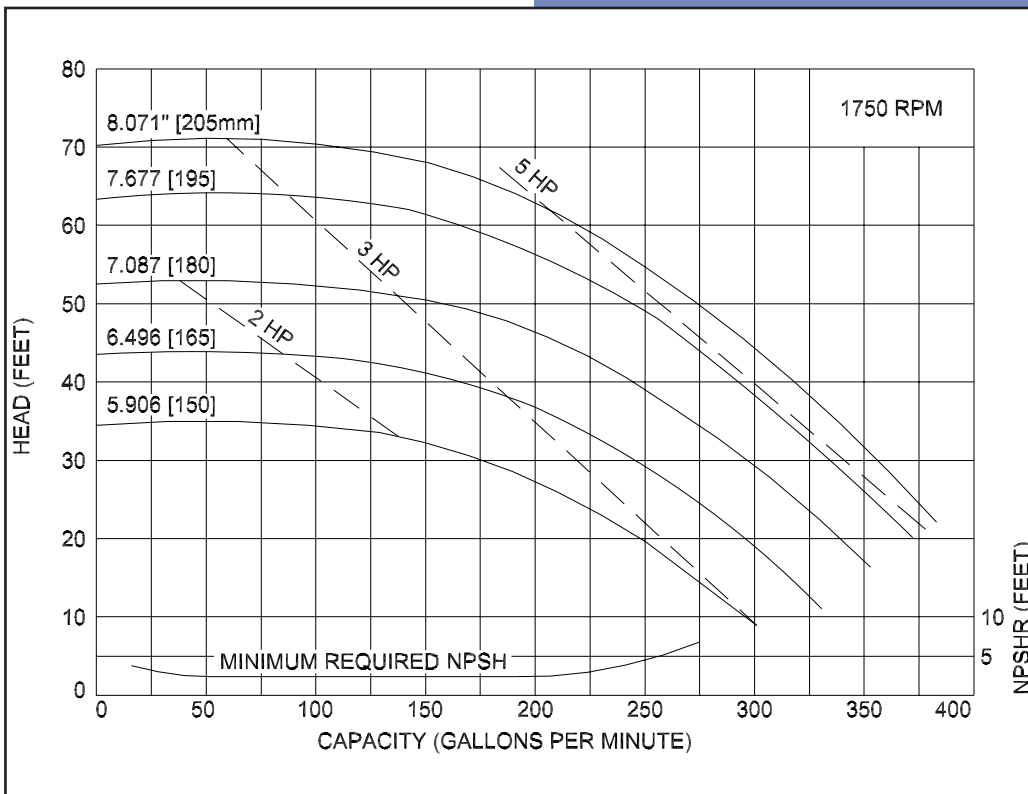
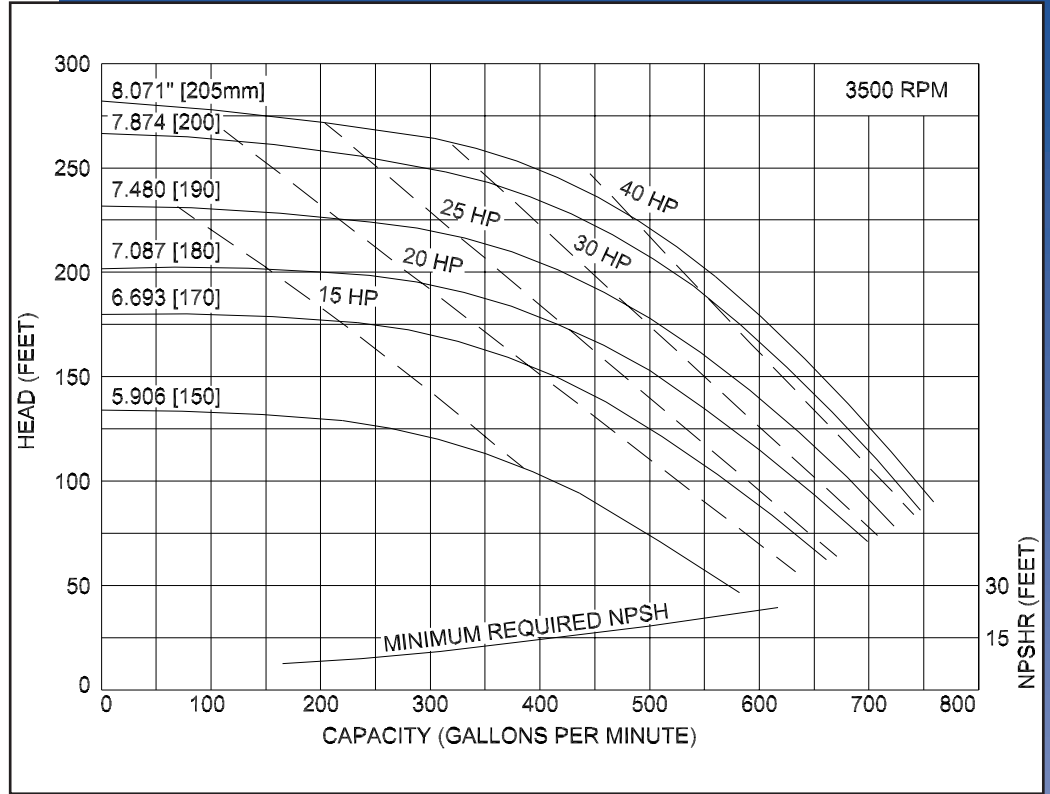
| PART NAME                | STAINLESS STEEL |
|--------------------------|-----------------|
| Casing, Cover & Impeller | 316L Stainless  |
| Stub Shaft               | 316L Stainless  |
| Adapter                  | 304 Stainless   |

# Ampco Centrifugal Pumps

MODEL LC-V541 3X2½  
 MODEL LC-V542 3X2½

Curves show approximate characteristics based on clear 68° water. Rated point is guaranteed.

LC-Series pumps have standard stainless steel adapters and silicon carbide vs. carbon seals.



LC pumps are in conformance with 3A sanitary standards for centrifugal and positive rotary pumps for milk and milk products, Number 02-09.

LC-Series pumps have a standard 32RA (150 grit) finish, on all product contact surfaces.

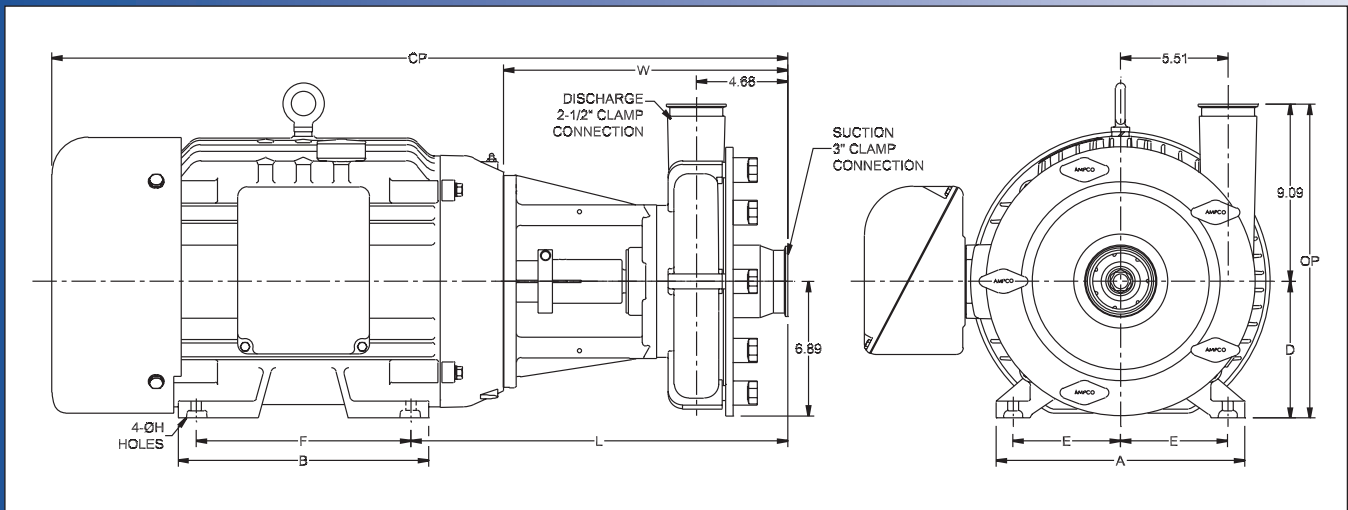
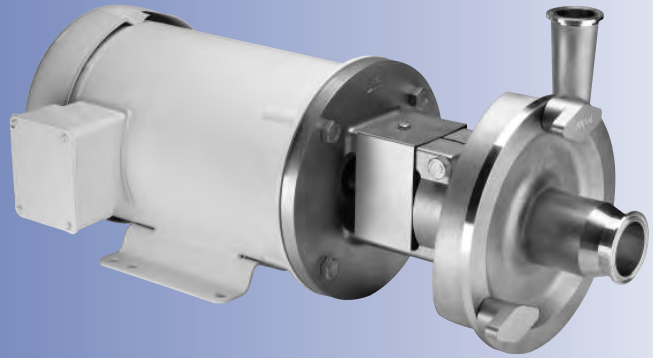
**Ampco  
 Pumps  
 Company**

4424 West Mitchell Street  
 Milwaukee, Wisconsin 53214  
 PHONE (414) 643-1852  
 FAX (414) 643-4452

# Ampco Centrifugal Pumps

## DATA SHEET

MODEL LC-V551 3X2<sup>1</sup>/<sub>2</sub>  
MODEL LC-V552 3X2<sup>1</sup>/<sub>2</sub>



| TEFC MOTOR |      |        | DIMENSIONS IN INCHES (For Reference Only) |         |       |       |        |       |       |        |       |       | APPROX<br>WEIGHT<br>(LBS) |
|------------|------|--------|---|---------|-------|-------|--------|-------|-------|--------|-------|-------|---------------------------|
| HP         | RPM  | FRAME  | A (typ)                                   | B (typ) | D     | E     | F      | ØH    | L     | W      | CP    | OP    |                           |
| 5          | 1750 | 184TC  | 8-5/8                                     | 6-1/2   | 4-1/2 | 3-3/4 | 5-1/2  | 13/32 | 16.76 | 13.26  | 28.44 | 13.59 | 173                       |
| 7-1/2      | 1750 | 213TC  | 9-1/2                                     | 8       | 5-1/4 | 4-1/4 | 5-1/2  | 13/32 | 17.51 | 13.26  | 28.53 | 14.34 | 224                       |
| 10         | 1750 | 215TC  | 9-1/2                                     | 8       | 5-1/4 | 4-1/4 | 7      | 13/32 | 17.51 | 13.26  | 29.75 | 15.17 | 234                       |
| 15         | 1750 | 254TC  | 11-1/2                                    | 11-1/2  | 6-1/4 | 5     | 8-1/4  | 17/32 | 18.01 | 13.26  | 30.85 | 15.34 | 350                       |
| 20         | 1750 | 256TC  | 11-1/2                                    | 11-1/2  | 6-1/4 | 5     | 10     | 17/32 | 18.01 | 13.26  | 32.92 | 15.34 | 371                       |
| 25         | 3500 | 284TSC | 12-3/4                                    | 12-3/4  | 7     | 5-1/2 | 9-1/2  | 17/32 | 19.33 | 14.58  | 37.71 | 16.09 | 483                       |
| 30         | 3500 | 286TSC | 12-3/4                                    | 12-3/4  | 7     | 5-1/2 | 11     | 17/32 | 19.33 | 14.58  | 37.71 | 16.09 | 505                       |
| 40         | 3500 | 324TSC | 14-1/2                                    | 14      | 8     | 6-1/4 | 10-1/2 | 21/32 | 20.46 | 15.210 | 40.21 | 17.09 | 619                       |
| 50         | 3500 | 326TSC | 14-1/2                                    | 14      | 8     | 6-1/4 | 12     | 21/32 | 20.46 | 15.21  | 40.21 | 17.09 | 728                       |

## MATERIAL SPECIFICATIONS

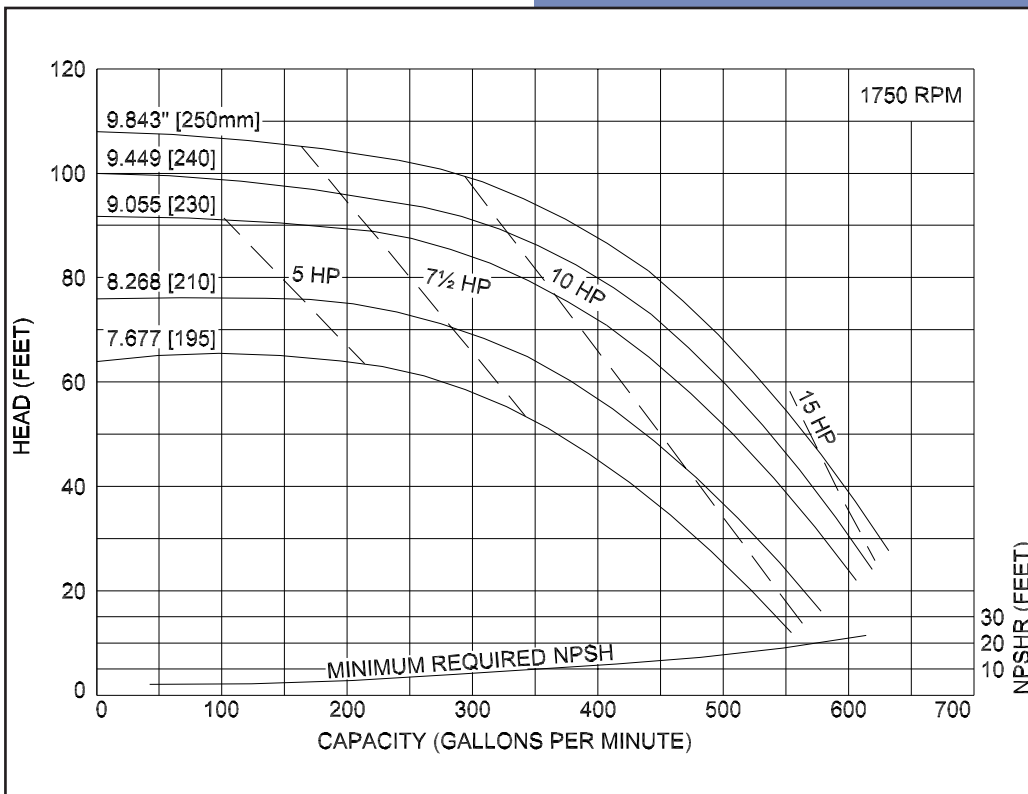
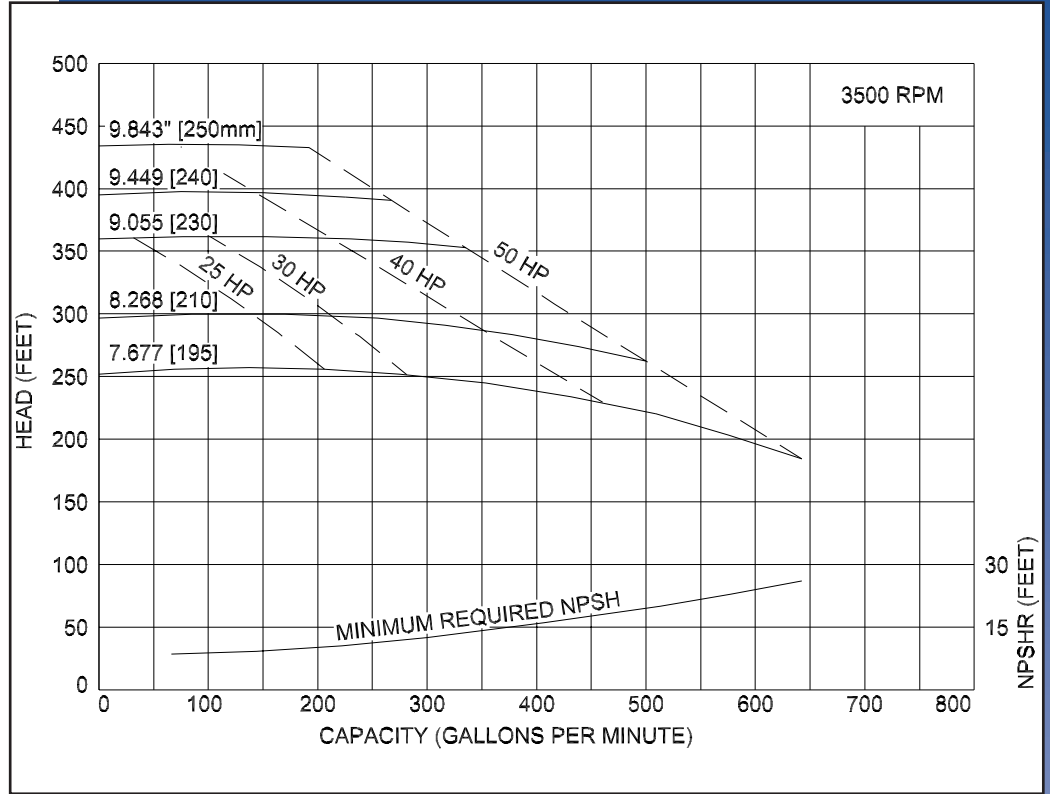
| PART NAME                | STAINLESS STEEL |
|--------------------------|-----------------|
| Casing, Cover & Impeller | 316L Stainless  |
| Stub Shaft               | 316L Stainless  |
| Adapter                  | 304 Stainless   |

MODEL LC-V551 3X2½  
 MODEL LC-V552 3X2½

# Ampco Centrifugal Pumps

Curves show approximate characteristics based on clear 68° water.  
 Rated point is guaranteed.

LC-Series pumps have standard stainless steel adapters and silicon carbide vs. carbon seals.



LC pumps are in conformance with 3A sanitary standards for centrifugal and positive rotary pumps for milk and milk products, Number 02-09.

LC-Series pumps have a standard 32RA (150 grit) finish, on all product contact surfaces.

## Ampco Pumps Company

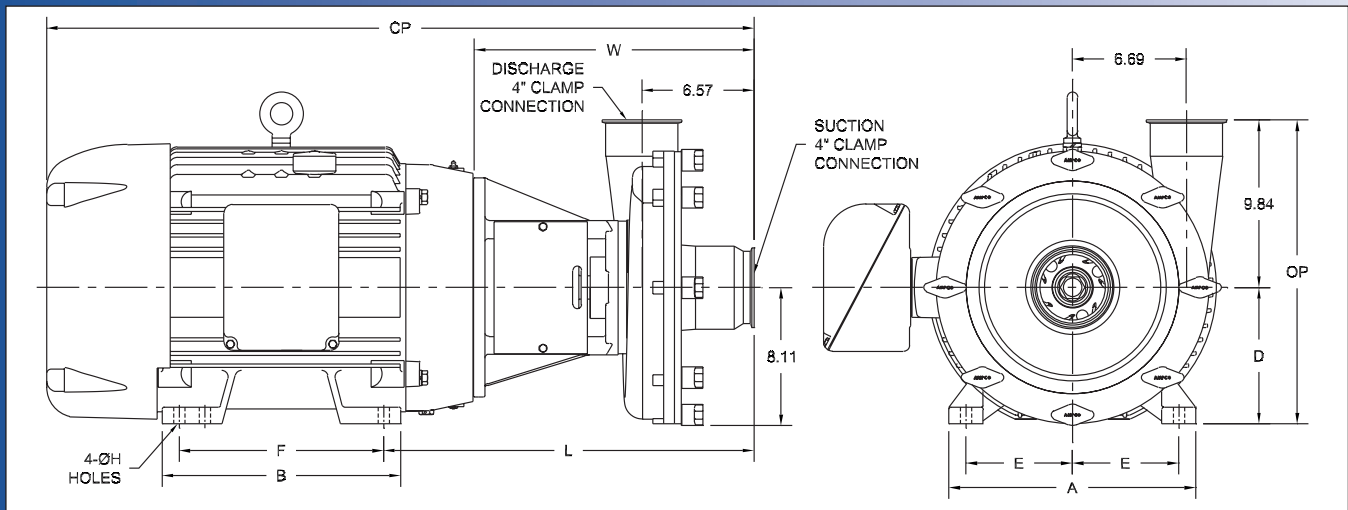
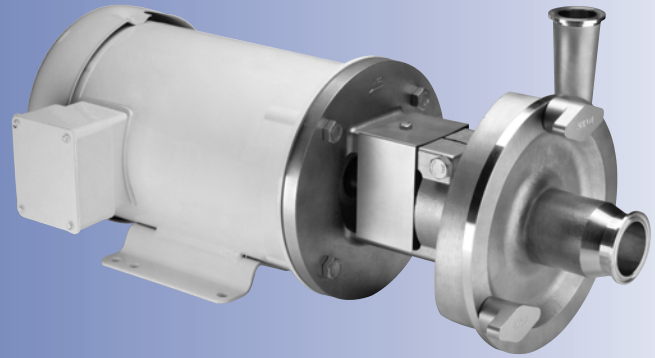
4424 West Mitchell Street  
 Milwaukee, Wisconsin 53214  
 PHONE (414) 643-1852  
 FAX (414) 643-4452



# Ampco Centrifugal Pumps

DATA SHEET

MODEL LC-X051 4X4



| TEFC MOTOR |      |       | DIMENSIONS IN INCHES (For Reference Only) |         |       |       |       |       |       |       |       |       | APPROX<br>WEIGHT<br>(LBS) |
|------------|------|-------|---|---------|-------|-------|-------|-------|-------|-------|-------|-------|---------------------------|
| HP         | RPM  | FRAME | A (typ)                                   | B (typ) | D     | E     | F     | ØH    | L     | W     | CP    | OP    |                           |
| 7-1/2      | 1750 | 213TC | 9-1/2                                     | 8       | 5-1/4 | 4-1/4 | 5-1/2 | 13/32 | 20.09 | 15.84 | 31.10 | 15.09 | 300                       |
| 10         | 1750 | 215TC | 9-1/2                                     | 8       | 5-1/4 | 4-1/4 | 7     | 13/32 | 20.09 | 15.84 | 32.23 | 15.09 | 310                       |
| 15         | 1750 | 254TC | 11-1/2                                    | 11-1/2  | 6-1/4 | 5     | 8-1/4 | 17/32 | 20.59 | 15.84 | 33.41 | 16.09 | 424                       |
| 20         | 1750 | 256TC | 11-1/2                                    | 11-1/2  | 6-1/4 | 5     | 10    | 17/32 | 20.59 | 15.84 | 35.50 | 16.09 | 445                       |
| 25         | 1750 | 284TC | 12-3/4                                    | 12-3/4  | 7     | 5-1/2 | 9-1/2 | 17/32 | 20.59 | 15.84 | 37.18 | 16.84 | 578                       |

## MATERIAL SPECIFICATIONS

| PART NAME                | STAINLESS STEEL |
|--------------------------|-----------------|
| Casing, Cover & Impeller | 316L Stainless  |
| Stub Shaft               | 316L Stainless  |
| Adapter                  | 304 Stainless   |

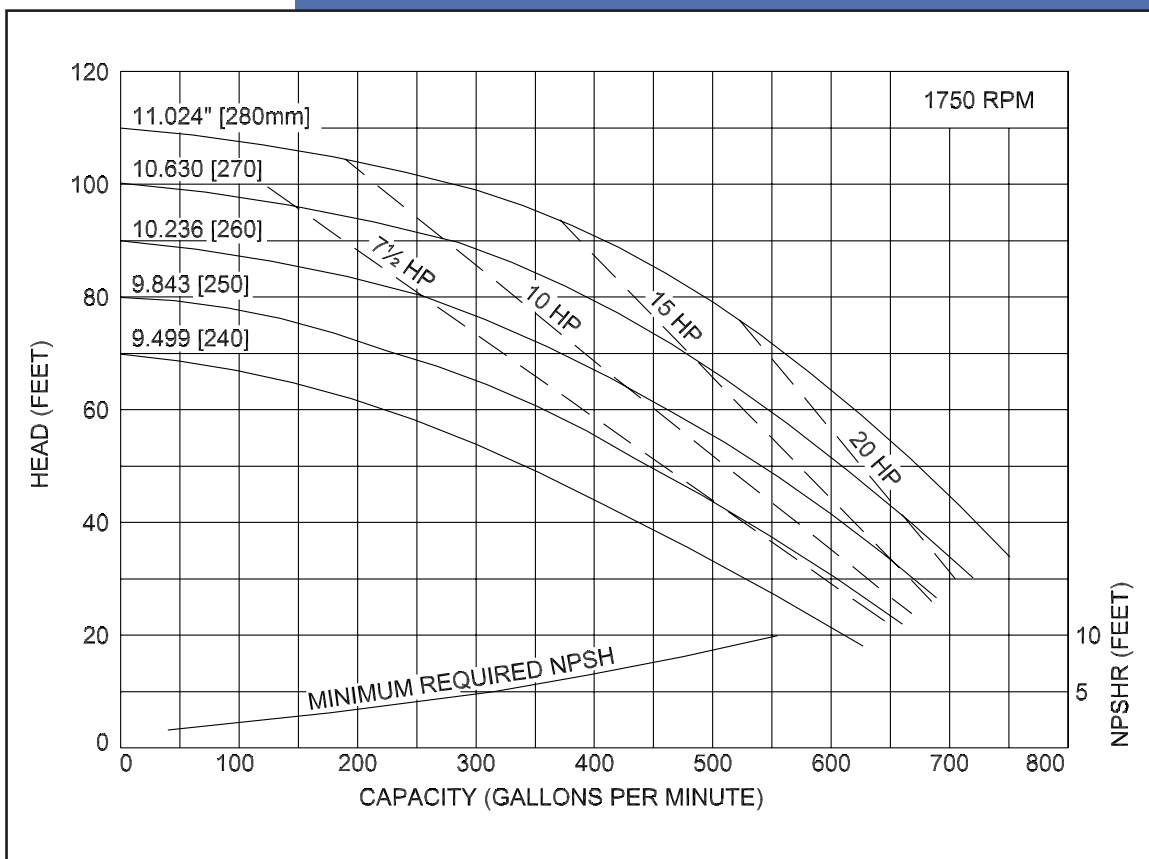


# Ampco Centrifugal Pumps

MODEL LC-X051 4X4

Curves show approximate characteristics based on clear 68° water.  
Rated point is guaranteed.

LC-Series pumps have standard stainless steel adapters and silicon carbide vs. carbon seals.



LC pumps are in conformance with 3A sanitary standards for centrifugal and positive rotary pumps for milk and milk products, Number 02-10.

LC-Series pumps have a standard 32RA (150 grit) finish, on all product contact surfaces.

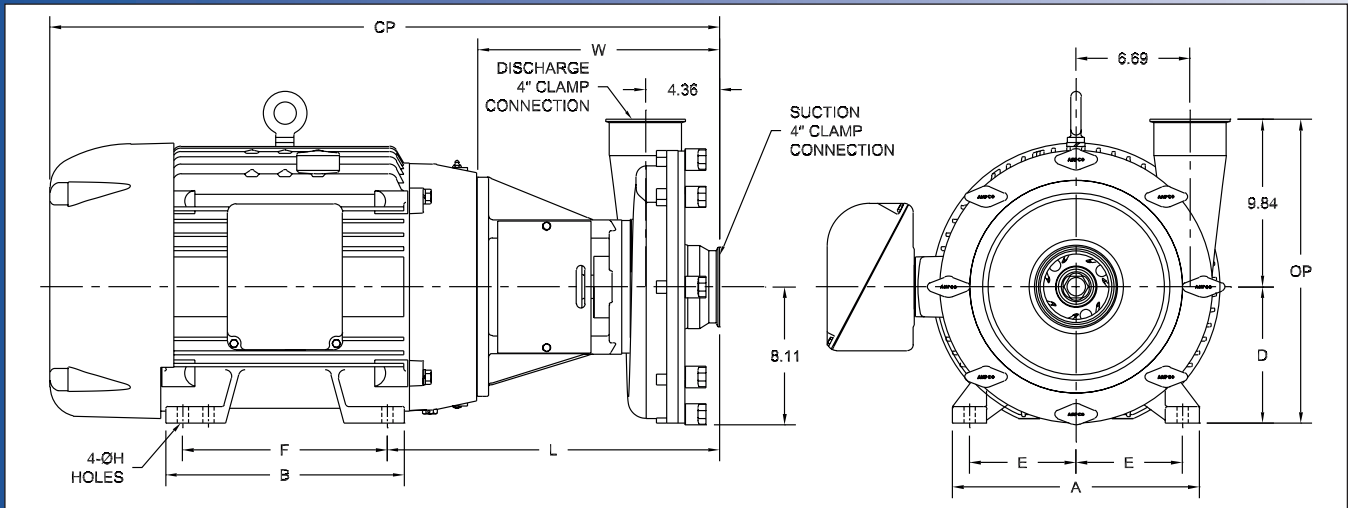
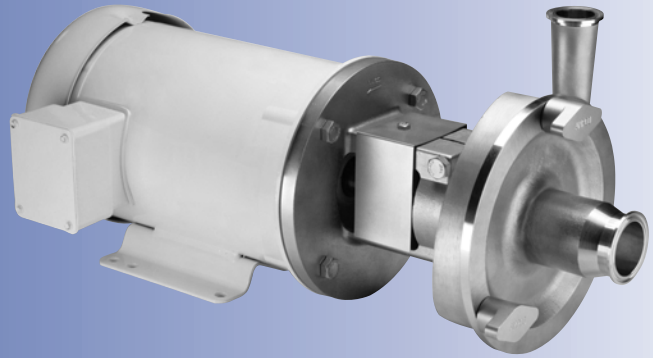
## Ampco Pumps Company

Milwaukee, Wisconsin - PHONE (414) 643-1852 - FAX (414) 643-4452

# Ampco Centrifugal Pumps

DATA SHEET

MODEL LC-X151 4X4



| TEFC MOTOR |      |       | DIMENSIONS IN INCHES (For Reference Only) |         |       |       |        |       |       |       |       |       | APPROX<br>WEIGHT<br>(LBS) |
|------------|------|-------|---|---------|-------|-------|--------|-------|-------|-------|-------|-------|---------------------------|
| HP         | RPM  | FRAME | A (typ)                                   | B (typ) | D     | E     | F      | ØH    | L     | W     | CP    | OP    |                           |
| 10         | 1750 | 215TC | 9-1/2                                     | 8       | 5-1/4 | 4-1/4 | 7      | 11/32 | 17.87 | 13.62 | 30.01 | 15.09 | 310                       |
| 15         | 1750 | 254TC | 11-1/2                                    | 11-1/2  | 6-1/4 | 5     | 8-1/4  | 11/32 | 18.37 | 13.62 | 31.19 | 16.09 | 424                       |
| 20         | 1750 | 256TC | 11-1/2                                    | 11-1/2  | 6-1/4 | 5     | 10     | 13/32 | 18.37 | 13.62 | 33.28 | 16.09 | 445                       |
| 25         | 1750 | 284TC | 12-3/4                                    | 12-3/4  | 7     | 5-1/2 | 9-1/2  | 17/32 | 18.37 | 13.62 | 34.96 | 16.84 | 578                       |
| 30         | 1750 | 286TC | 12-3/4                                    | 12-3/4  | 7     | 5-1/2 | 11     | 17/32 | 18.37 | 13.62 | 34.96 | 16.84 | 589                       |
| 40         | 1750 | 324TC | 14-1/2                                    | 14      | 8     | 6-1/4 | 10-1/2 | 21/32 | 19.50 | 14.25 | 39.39 | 17.84 | 778                       |

## MATERIAL SPECIFICATIONS

| PART NAME                | STAINLESS STEEL |
|--------------------------|-----------------|
| Casing, Cover & Impeller | 316L Stainless  |
| Stub Shaft               | 316L Stainless  |
| Adapter                  | 304 Stainless   |

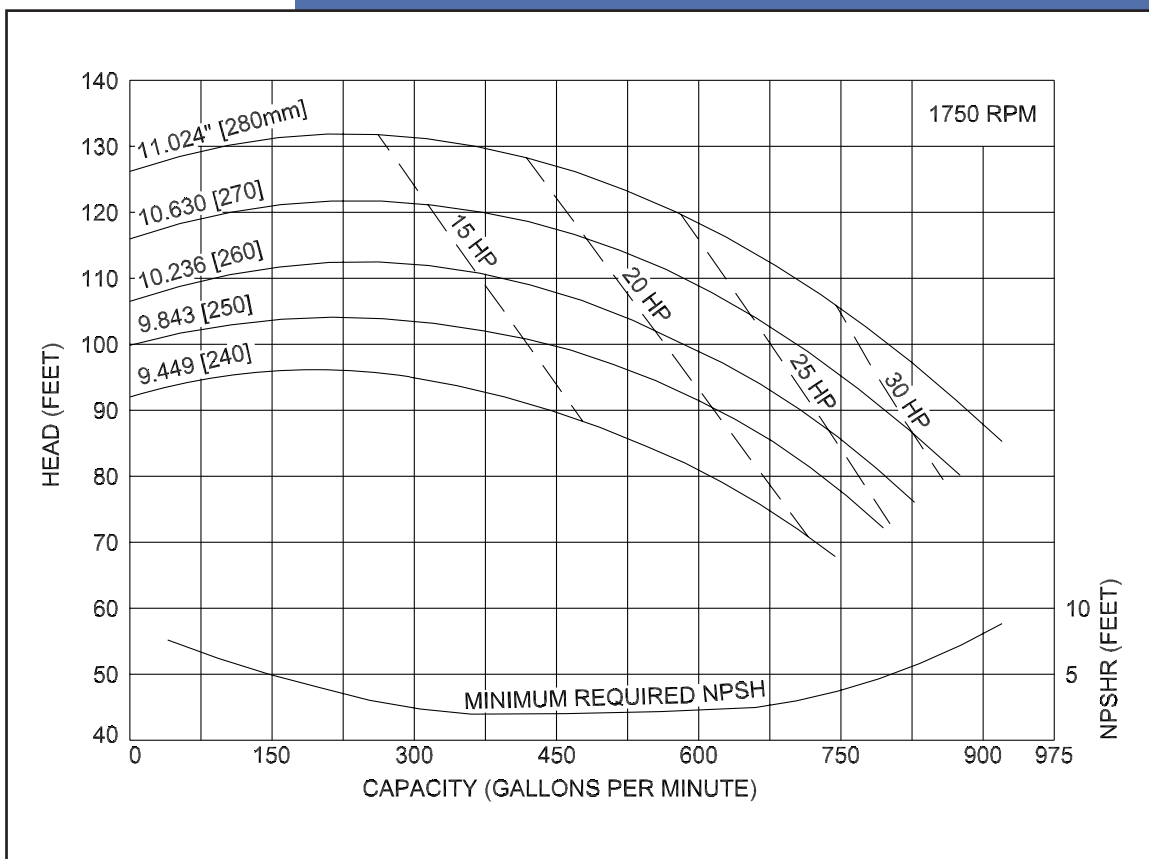


# Ampco Centrifugal Pumps

MODEL LC-X151 4X4

Curves show approximate characteristics based on clear 68° water.  
Rated point is guaranteed.

LC-Series pumps have standard stainless steel adapters and silicon carbide vs. carbon seals.



LC pumps are in conformance with 3A sanitary standards for centrifugal and positive rotary pumps for milk and milk products, Number 02-10.

LC-Series pumps have a standard 32RA (150 grit) finish, on all product contact surfaces.

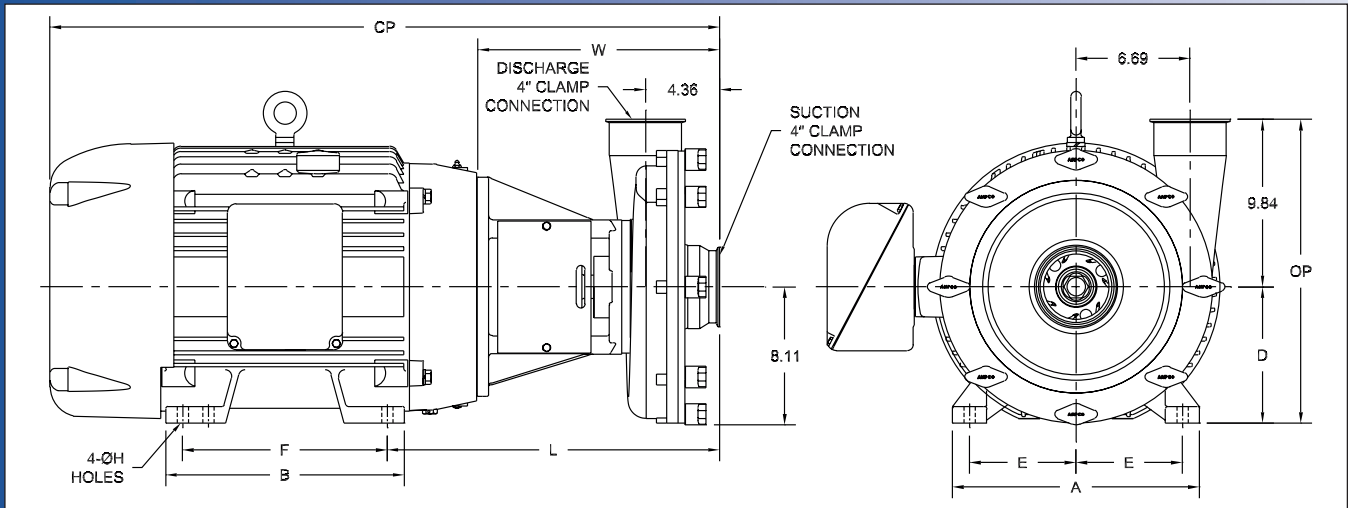
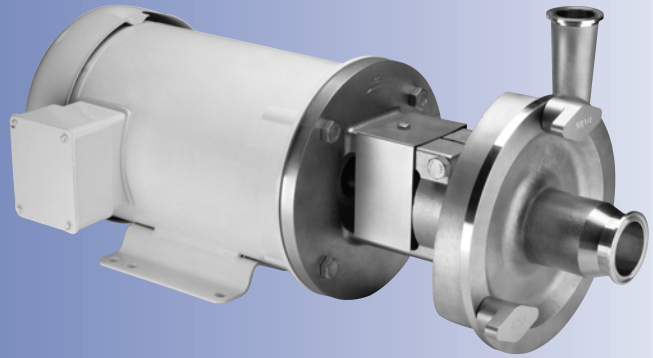
## Ampco Pumps Company

Milwaukee, Wisconsin - PHONE (414) 643-1852 - FAX (414) 643-4452

# Ampco Centrifugal Pumps

DATA SHEET

MODEL LC-X161 4X4



| TEFC MOTOR |      |       | DIMENSIONS IN INCHES (For Reference Only) |         |       |       |        |       |       |       |       |       | APPROX<br>WEIGHT<br>(LBS) |
|------------|------|-------|---|---------|-------|-------|--------|-------|-------|-------|-------|-------|---------------------------|
| HP         | RPM  | FRAME | A (typ)                                   | B (typ) | D     | E     | F      | ØH    | L     | W     | CP    | OP    |                           |
| 15         | 1750 | 254TC | 11-1/2                                    | 11-1/2  | 6-1/4 | 5     | 8-1/4  | 11/32 | 18.37 | 13.62 | 31.19 | 16.09 | 426                       |
| 20         | 1750 | 256TC | 11-1/2                                    | 11-1/2  | 6-1/4 | 5     | 10     | 13/32 | 18.37 | 13.62 | 33.28 | 16.09 | 447                       |
| 25         | 1750 | 284TC | 12-3/4                                    | 12-3/4  | 7     | 5-1/2 | 9-1/2  | 17/32 | 18.37 | 13.62 | 34.96 | 16.84 | 580                       |
| 30         | 1750 | 286TC | 12-3/4                                    | 12-3/4  | 7     | 5-1/2 | 11     | 17/32 | 18.37 | 13.62 | 34.96 | 16.84 | 591                       |
| 40         | 1750 | 324TC | 14-1/2                                    | 14      | 8     | 6-1/4 | 10-1/2 | 21/32 | 19.50 | 14.25 | 39.39 | 17.84 | 780                       |
| 50         | 1750 | 326TC | 14-1/2                                    | 14      | 8     | 6-1/4 | 12     | 21/32 | 19.50 | 14.25 | 39.39 | 17.84 | 765                       |

## MATERIAL SPECIFICATIONS

| PART NAME                | STAINLESS STEEL |
|--------------------------|-----------------|
| Casing, Cover & Impeller | 316L Stainless  |
| Stub Shaft               | 316L Stainless  |
| Adapter                  | 304 Stainless   |

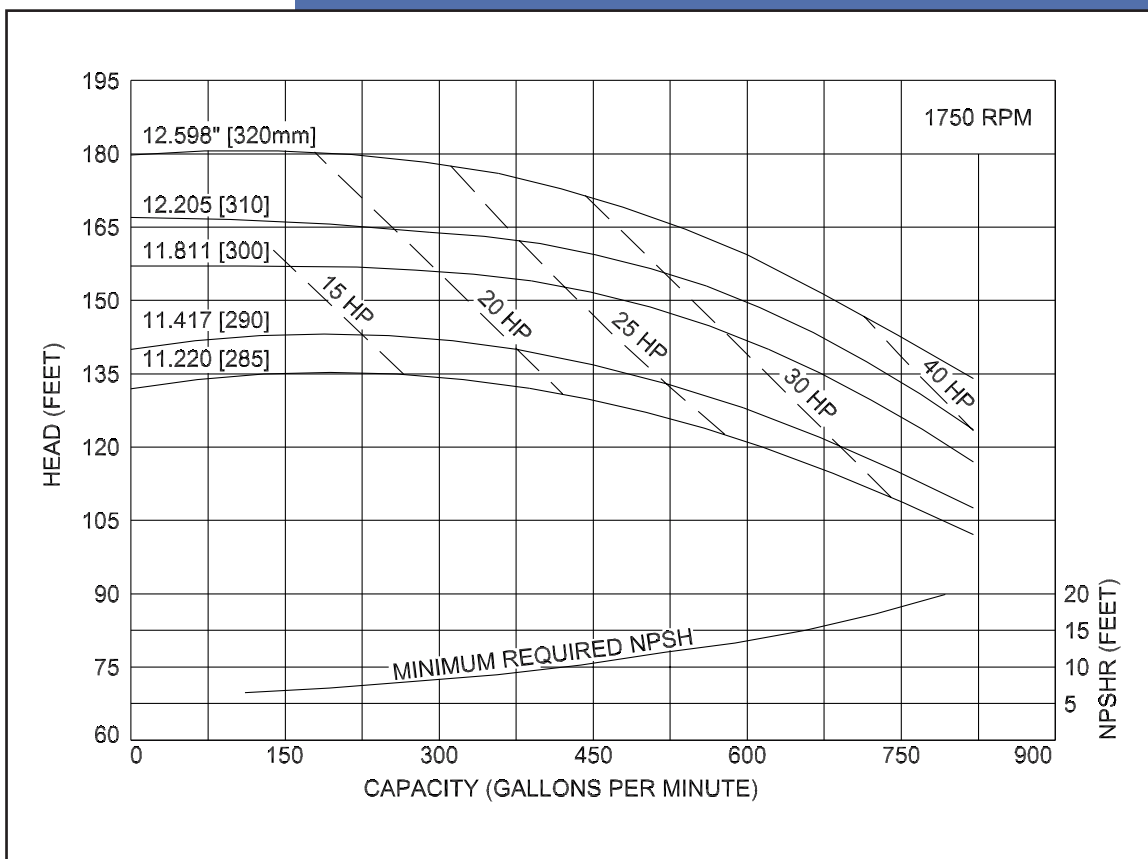


# Ampco Centrifugal Pumps

MODEL LC-X161 4X4

Curves show approximate characteristics based on clear 68° water.  
Rated point is guaranteed.

LC-Series pumps have standard stainless steel adapters and silicon carbide vs. carbon seals.



LC pumps are in conformance with 3A sanitary standards for centrifugal and positive rotary pumps for milk and milk products, Number 02-10.

LC-Series pumps have a standard 32RA (150 grit) finish, on all product contact surfaces.

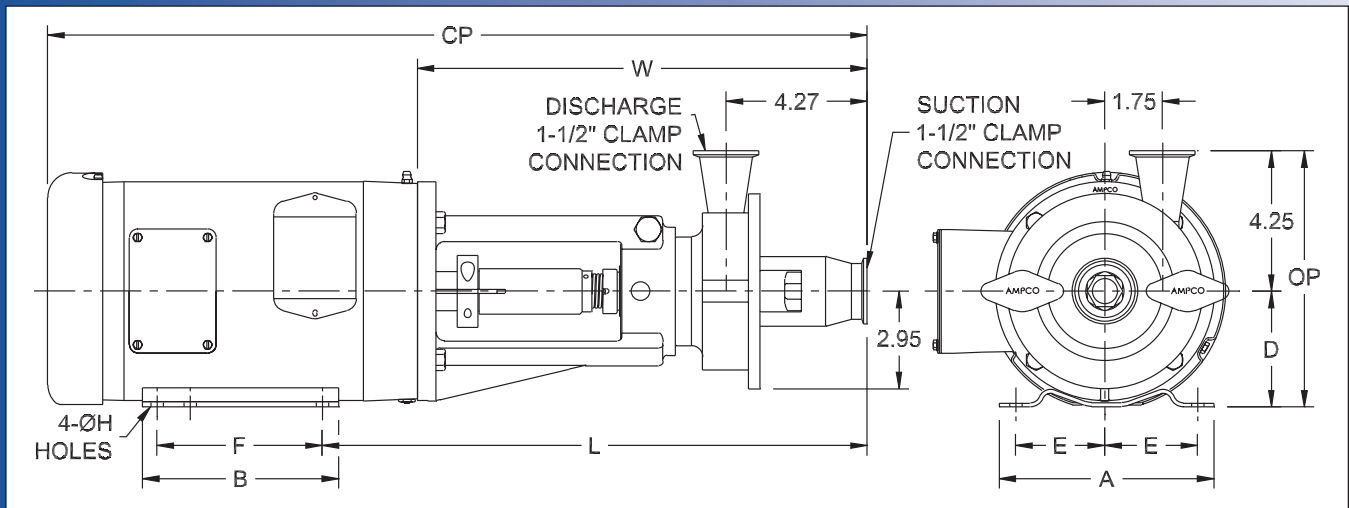
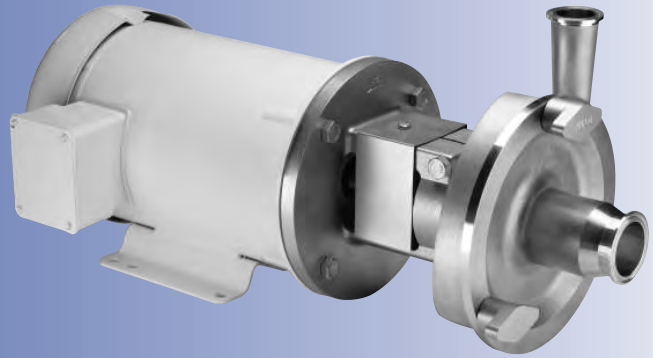
## Ampco Pumps Company

Milwaukee, Wisconsin - PHONE (414) 643-1852 - FAX (414) 643-4452

# Ampco Centrifugal Pumps

## DATA SHEET

MODEL LD-RO1 1 1/2 X 1 1/2  
MODEL LD-RO2 1 1/2 X 1 1/2



| TEFC MOTOR |      |       | DIMENSIONS IN INCHES (For Reference Only) |         |       |       |   |       |       |       |       |      | APPROX WEIGHT (LBS) |
|------------|------|-------|---|---------|-------|-------|---|-------|-------|-------|-------|------|---------------------|
| HP         | RPM  | FRAME | A (typ)                                   | B (typ) | D     | E     | F | ØH    | L     | W     | CP    | OP   |                     |
| 1          | 1750 | 143TC | 6-1/2                                     | 6       | 3-1/2 | 2-3/4 | 4 | 11/32 | 16.31 | 13.54 | 24.62 | 7.75 | 68                  |
| 1-1/2      | 3500 | 143TC | 6-1/2                                     | 6       | 3-1/2 | 2-3/4 | 4 | 11/32 | 16.31 | 13.54 | 24.62 | 7.75 | 69                  |
| 2          | 3500 | 145TC | 6-1/2                                     | 6       | 3-1/2 | 2-3/4 | 5 | 11/32 | 16.31 | 13.54 | 24.62 | 7.75 | 76                  |

## MATERIAL SPECIFICATIONS

| PART NAME                | STAINLESS STEEL |
|--------------------------|-----------------|
| Casing, Cover & Impeller | 316L Stainless  |
| Stub Shaft               | 316L Stainless  |
| Adapter                  | 304 Stainless   |

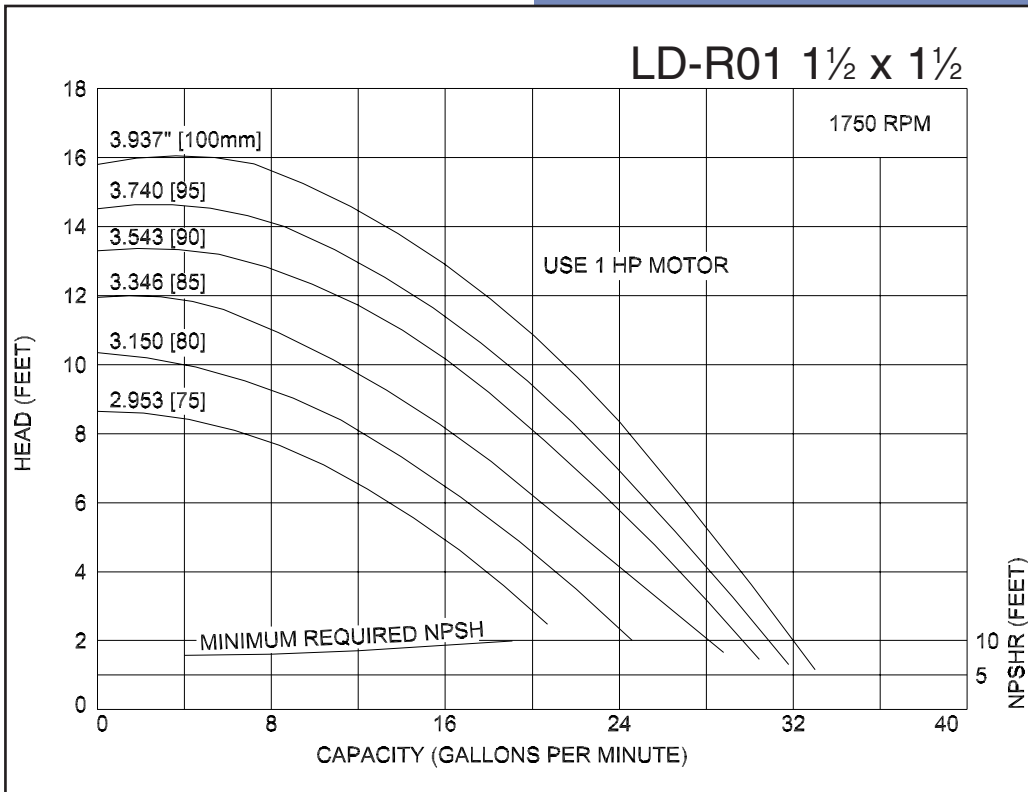
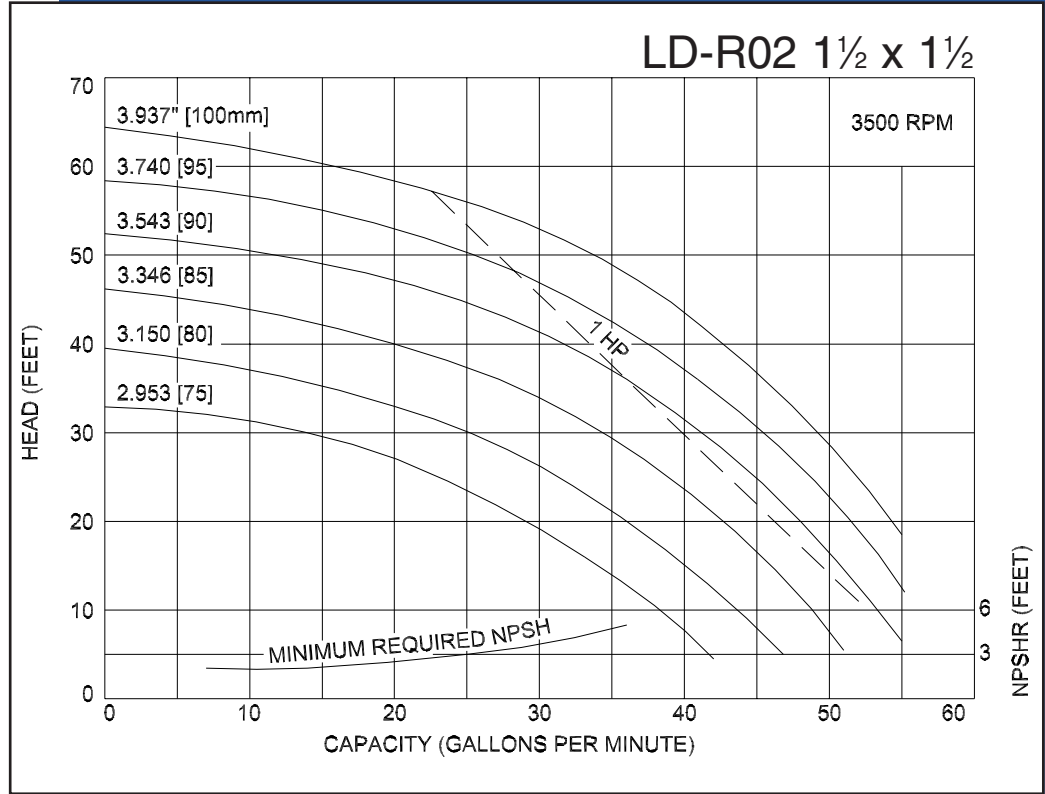


MODEL LD-R01 1 1/2 X 1 1/2  
 MODEL LD-R02 1 1/2 X 1 1/2

# Ampco Centrifugal Pumps

Curves show approximate characteristics based on clear 68° water. Rated point is guaranteed.

LD-Series pumps have standard stainless steel adapters and silicon carbide vs. carbon internal seals and carbon vs. ceramic external seals.



LD pumps are in conformance with 3A sanitary standards for centrifugal and positive rotary pumps for milk and milk products, Number 02-09.

LD-Series pumps have a standard 32RA (150 grit) finish, on all product contact surfaces.

**Ampco  
Pumps  
Company**

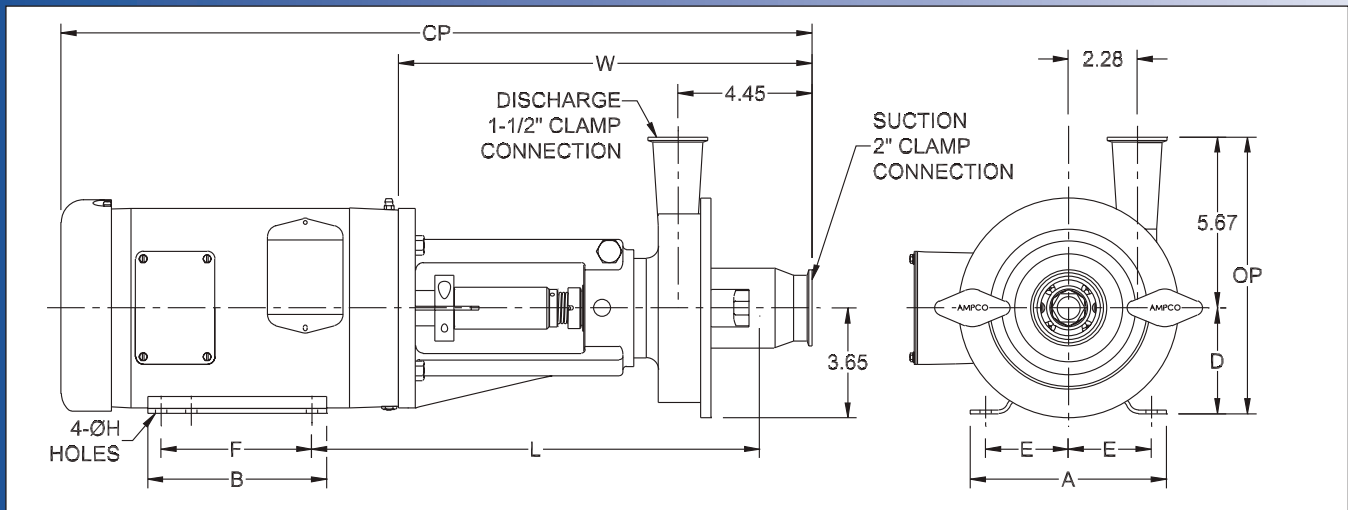
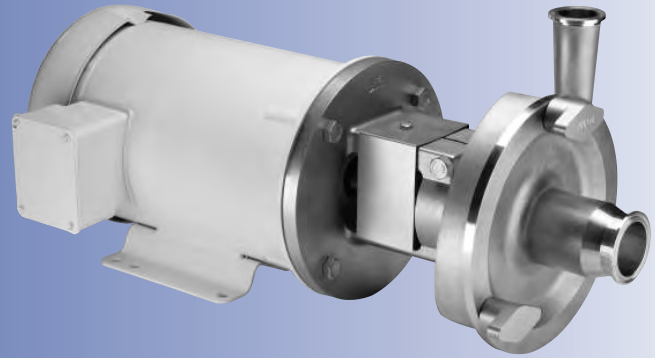
4424 West Mitchell Street  
 Milwaukee, Wisconsin 53214  
 PHONE (414) 643-1852  
 FAX (414) 643-4452



# Ampco Centrifugal Pumps

## DATA SHEET

MODEL LD-R11 2X1 1/2  
MODEL LD-R12 2X1 1/2



| TEFC MOTOR |      |       | DIMENSIONS IN INCHES (For Reference Only) |         |       |       |       |       |       |       |       |       | APPROX WEIGHT (LBS) |
|------------|------|-------|---|---------|-------|-------|-------|-------|-------|-------|-------|-------|---------------------|
| HP         | RPM  | FRAME | A (typ)                                   | B (typ) | D     | E     | F     | ØH    | L     | W     | CP    | OP    |                     |
| 1          | 1750 | 143TC | 6-1/2                                     | 6       | 3-1/2 | 2-3/4 | 4     | 11/32 | 16.44 | 13.69 | 24.75 | 9.17  | 73                  |
| 2          | 3500 | 145TC | 6-1/2                                     | 6       | 3-1/2 | 2-3/4 | 5     | 11/32 | 16.44 | 13.69 | 24.75 | 9.17  | 81                  |
| 3          | 3500 | 182TC | 8-5/8                                     | 6-1/2   | 4-1/2 | 3-3/4 | 4-1/2 | 13/32 | 17.20 | 13.70 | 26.01 | 10.17 | 100                 |
| 5          | 3500 | 184TC | 8-5/8                                     | 6-1/2   | 4-1/2 | 3-3/4 | 5-1/2 | 13/32 | 17.20 | 13.70 | 27.38 | 10.17 | 114                 |

## MATERIAL SPECIFICATIONS

| PART NAME                | STAINLESS STEEL |
|--------------------------|-----------------|
| Casing, Cover & Impeller | 316L Stainless  |
| Stub Shaft               | 316L Stainless  |
| Adapter                  | 304 Stainless   |

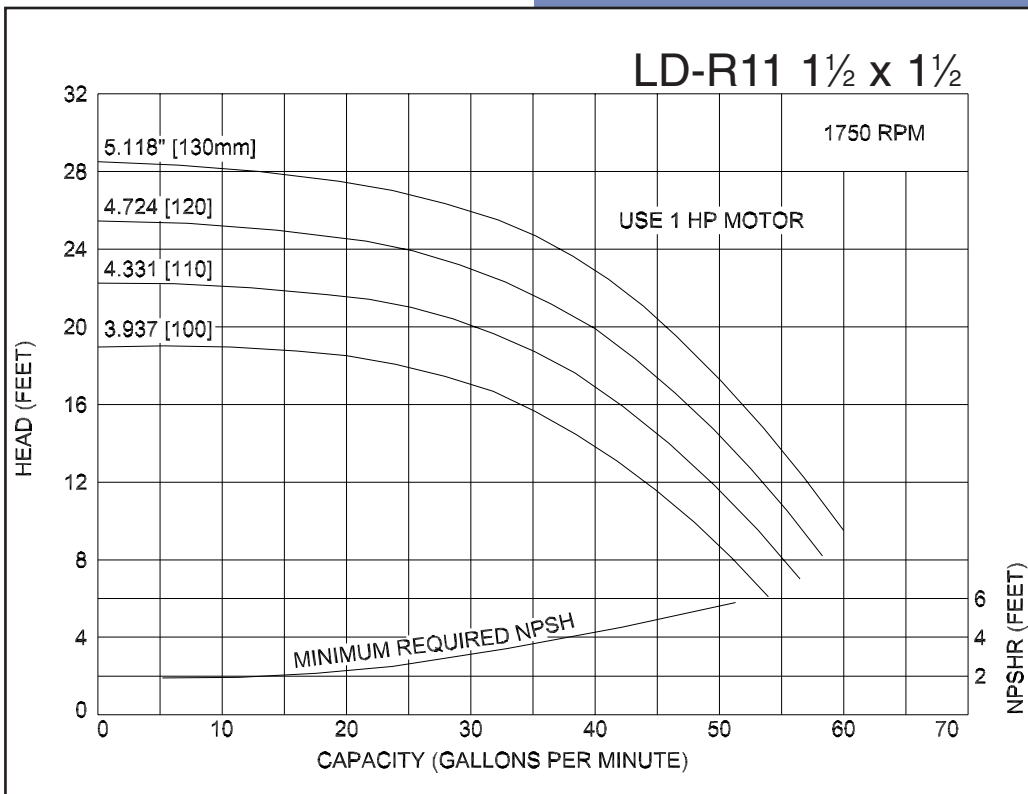
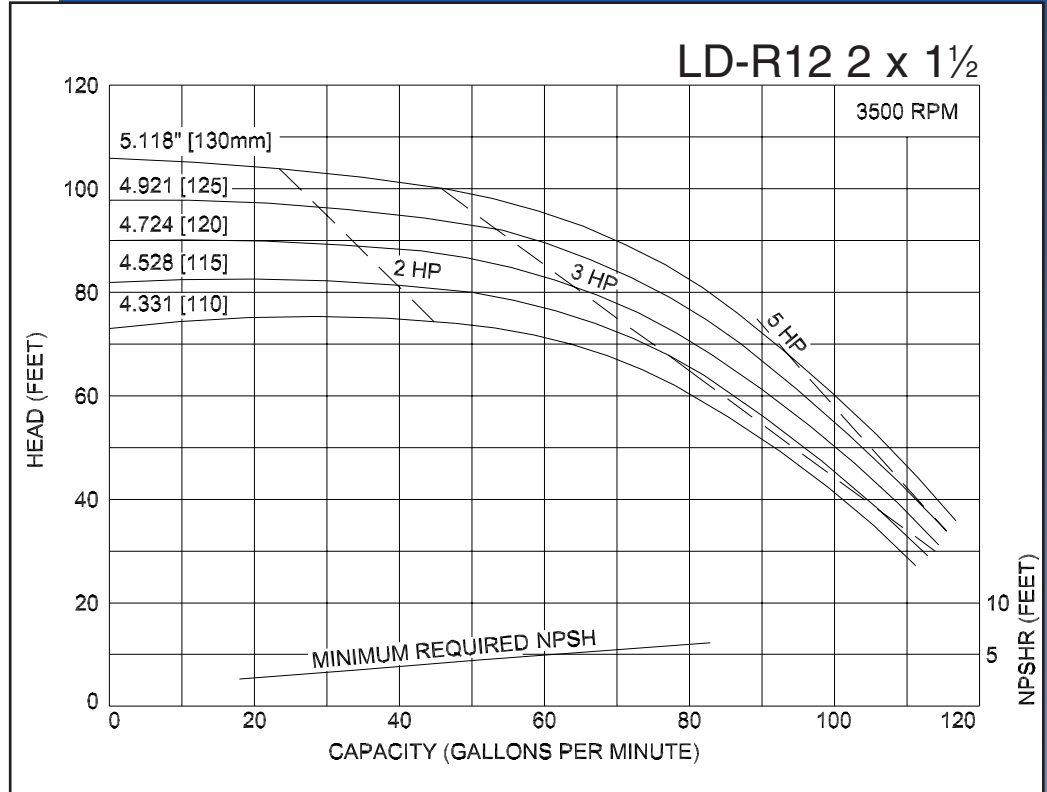


MODEL LD-R11 2X1½  
 MODEL LD-R12 2X1½

# Ampco Centrifugal Pumps

Curves show approximate characteristics based on clear 68° water. Rated point is guaranteed.

LD-Series pumps have standard stainless steel adapters and silicon carbide vs. carbon internal seals and carbon vs. ceramic external seals.



LD pumps are in conformance with 3A sanitary standards for centrifugal and positive rotary pumps for milk and milk products, Number 02-09.

LD-Series pumps have a standard 32RA (150 grit) finish, on all product contact surfaces.

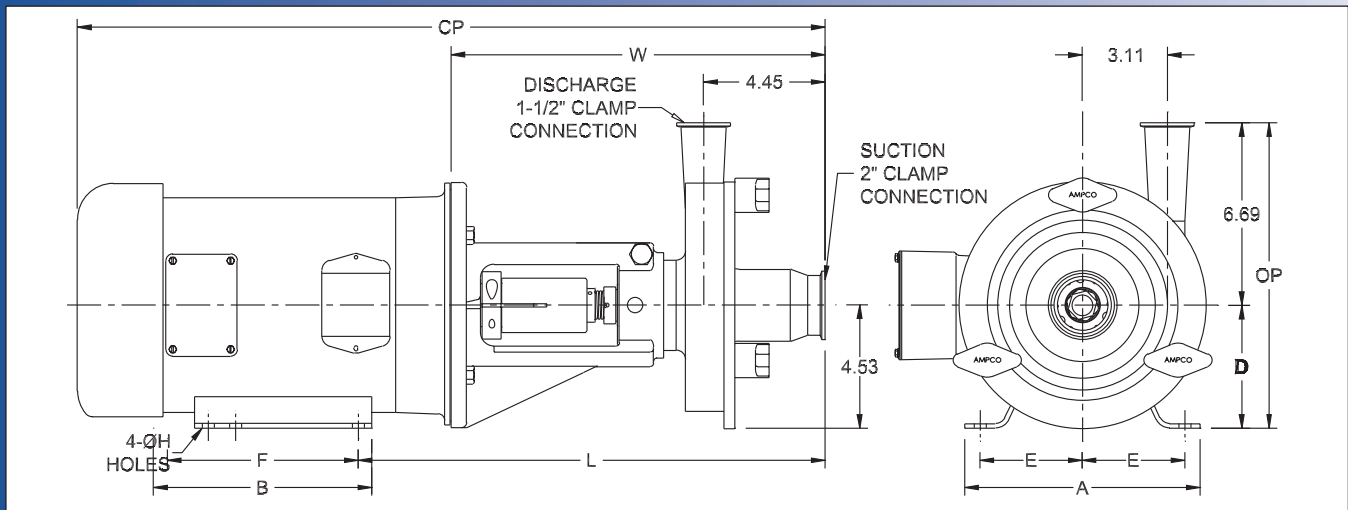
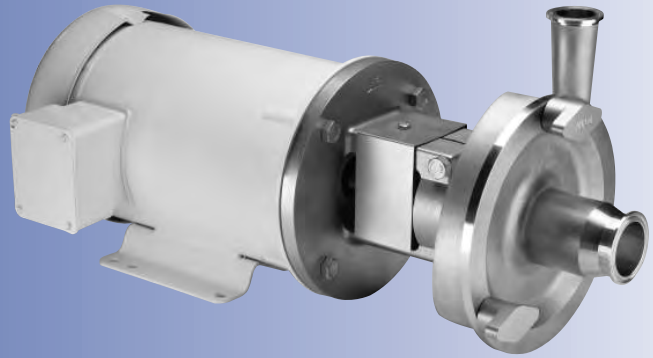
**Ampco  
 Pumps  
 Company**

4424 West Mitchell Street  
 Milwaukee, Wisconsin 53214  
 PHONE (414) 643-1852  
 FAX (414) 643-4452

# Ampco Centrifugal Pumps

## DATA SHEET

MODEL LD-R21 2X1 1/2  
MODEL LD-R22 2X1 1/2



| TEFC MOTOR |      |       | DIMENSIONS IN INCHES (For Reference Only) |         |       |       |       |       |       |       |       |       | APPROX WEIGHT (LBS) |
|------------|------|-------|---|---------|-------|-------|-------|-------|-------|-------|-------|-------|---------------------|
| HP         | RPM  | FRAME | A (typ)                                   | B (typ) | D     | E     | F     | ØH    | L     | W     | CP    | OP    |                     |
| 1          | 1750 | 143TC | 6-1/2                                     | 6       | 3-1/2 | 2-3/4 | 4     | 11/32 | 16.44 | 13.69 | 24.75 | 10.19 | 80                  |
| 1-1/2      | 1750 | 145TC | 6-1/2                                     | 6       | 3-1/2 | 2-3/4 | 5     | 11/32 | 16.44 | 13.69 | 24.75 | 10.19 | 86                  |
| 3          | 3500 | 182TC | 8-5/8                                     | 6-1/2   | 4-1/2 | 3-3/4 | 4-1/2 | 13/32 | 17.20 | 13.70 | 26.01 | 11.19 | 107                 |
| 5          | 3500 | 184TC | 8-5/8                                     | 6-1/2   | 4-1/2 | 3-3/4 | 5-1/2 | 13/32 | 17.20 | 13.70 | 27.38 | 11.19 | 121                 |
| 7-1/2      | 3500 | 184TC | 8-5/8                                     | 6-1/2   | 4-1/2 | 3-3/4 | 5-1/2 | 13/32 | 17.20 | 13.70 | 28.88 | 11.19 | 139                 |
| 10         | 3500 | 215TC | 9-1/2                                     | 8       | 5-1/4 | 4-1/4 | 7     | 13/32 | 17.95 | 13.70 | 28.97 | 11.94 | 173                 |

## MATERIAL SPECIFICATIONS

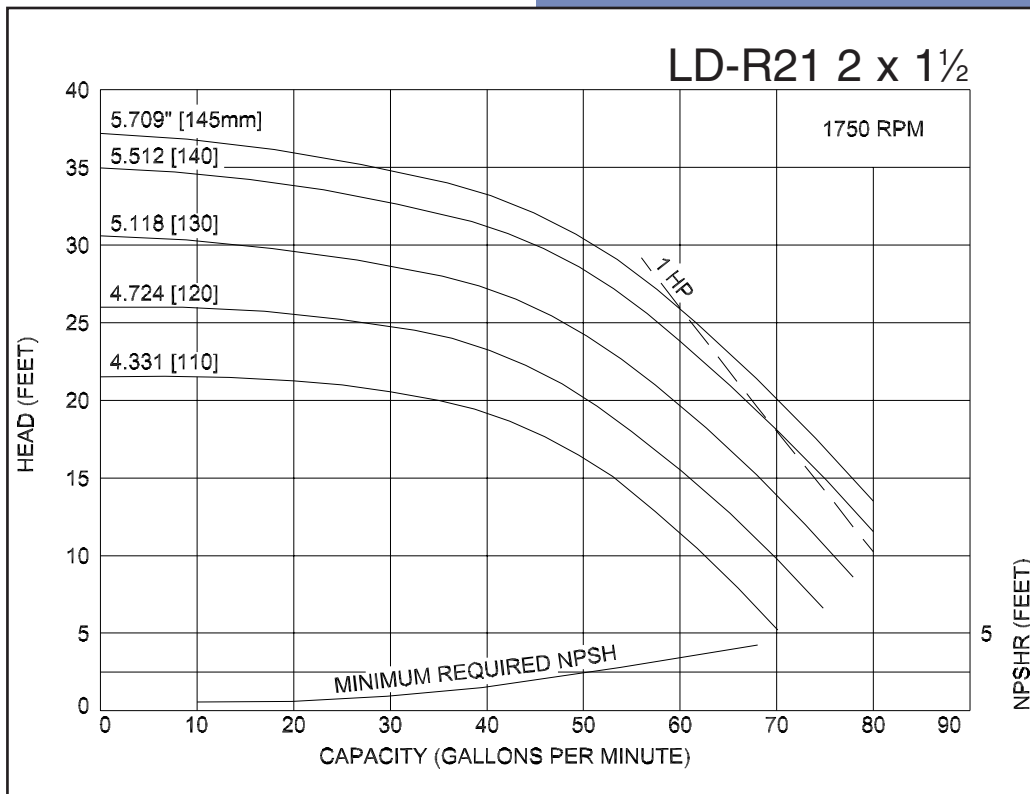
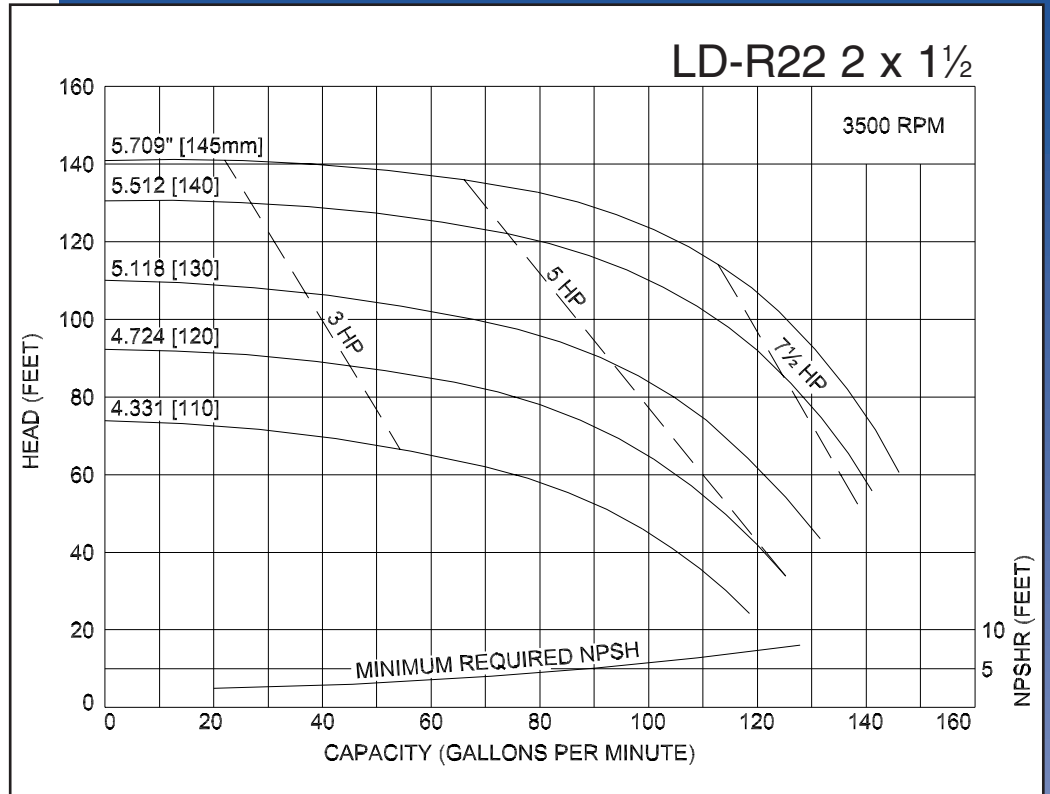
| PART NAME                | STAINLESS STEEL |
|--------------------------|-----------------|
| Casing, Cover & Impeller | 316L Stainless  |
| Stub Shaft               | 316L Stainless  |
| Adapter                  | 304 Stainless   |

MODEL LD-R21 2X1½  
 MODEL LD-R22 2X1½

# Ampco Centrifugal Pumps

Curves show approximate characteristics based on clear 68° water. Rated point is guaranteed.

LD-Series pumps have standard stainless steel adapters and silicon carbide vs. carbon internal seals and carbon vs. ceramic external seals.



LD pumps are in conformance with 3A sanitary standards for centrifugal and positive rotary pumps for milk and milk products, Number 02-09.

LD-Series pumps have a standard 32RA (150 grit) finish, on all product contact surfaces.

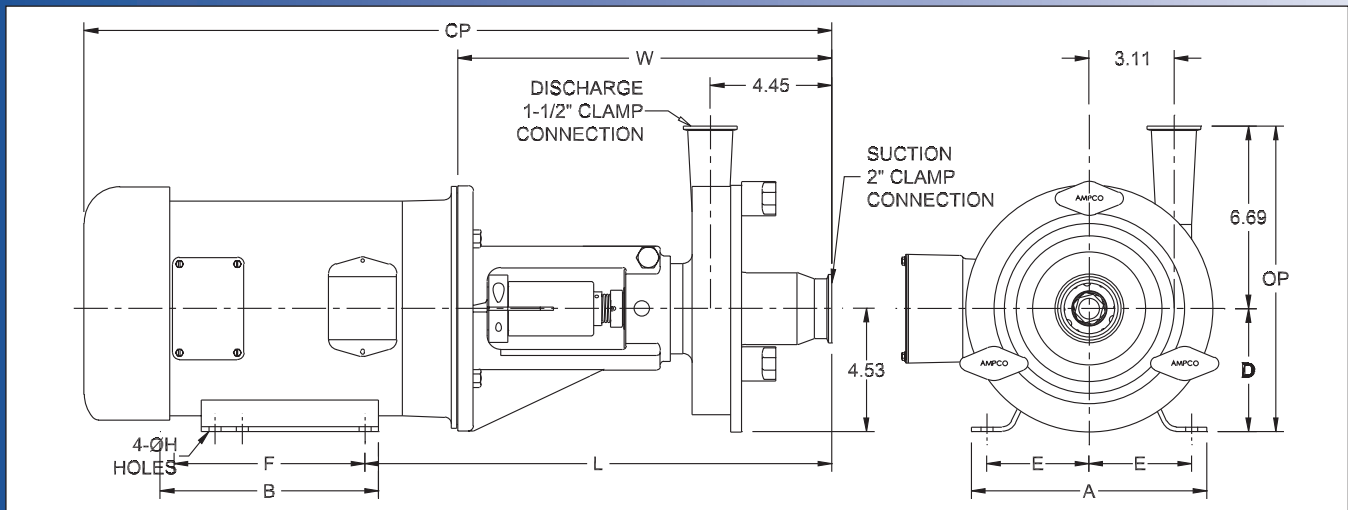
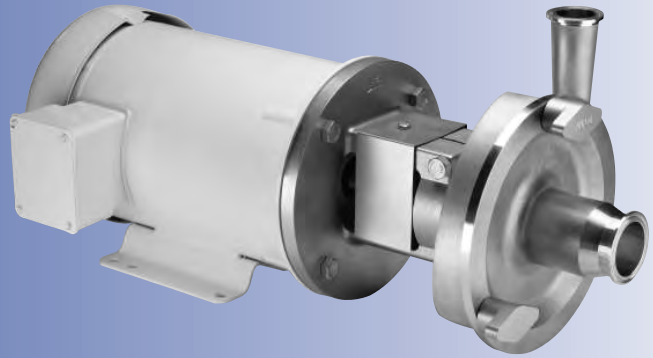
**Ampco  
Pumps  
Company**

4424 West Mitchell Street  
 Milwaukee, Wisconsin 53214  
 PHONE (414) 643-1852  
 FAX (414) 643-4452

# Ampco Centrifugal Pumps

## DATA SHEET

MODEL LD-R31 2X1 1/2



| TEFC MOTOR |      |       | DIMENSIONS IN INCHES (For Reference Only) |         |       |       |       |       |       |       |       |       | APPROX<br>WEIGHT<br>(LBS) |
|------------|------|-------|---|---------|-------|-------|-------|-------|-------|-------|-------|-------|---------------------------|
| HP         | RPM  | FRAME | A (typ)                                   | B (typ) | D     | E     | F     | ØH    | L     | W     | CP    | OP    |                           |
| 1          | 1750 | 143TC | 6-1/2                                     | 6       | 3-1/2 | 2-3/4 | 4     | 11/32 | 16.44 | 13.69 | 24.75 | 10.19 | 80                        |
| 1-1/2      | 1750 | 145TC | 6-1/2                                     | 6       | 3-1/2 | 2-3/4 | 5     | 11/32 | 16.44 | 13.69 | 24.75 | 10.19 | 86                        |
| 2          | 1750 | 145TC | 6-1/2                                     | 6       | 3-1/2 | 2-3/4 | 5     | 11/32 | 16.44 | 13.69 | 24.75 | 10.19 | 89                        |
| 3          | 1750 | 182TC | 8-5/8                                     | 6-1/2   | 4-1/2 | 3-3/4 | 4-1/2 | 13/32 | 17.20 | 13.70 | 27.39 | 11.19 | 119                       |

## MATERIAL SPECIFICATIONS

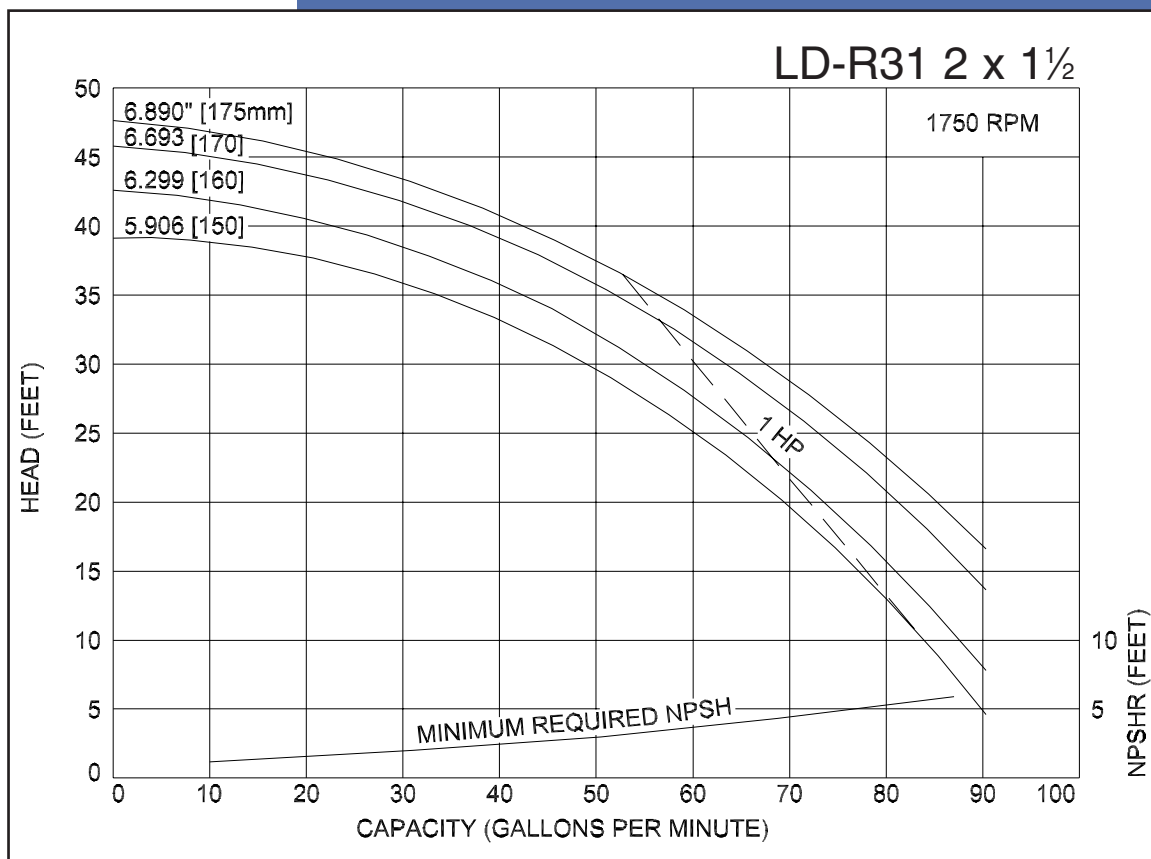
| PART NAME                | STAINLESS STEEL |
|--------------------------|-----------------|
| Casing, Cover & Impeller | 316L Stainless  |
| Stub Shaft               | 316L Stainless  |
| Adapter                  | 304 Stainless   |

# Ampco Centrifugal Pumps

MODEL LD-R31 2X 1½

Curves show approximate characteristics based on clear 68° water.  
Rated point is guaranteed.

LD-Series pumps have standard stainless steel adapters and silicon carbide vs. carbon internal seals and carbon vs. ceramic external seals.



LD pumps are in conformance with 3A sanitary standards for centrifugal and positive rotary pumps for milk and milk products, Number 02-09.

LD-Series pumps have a standard 32RA (150 grit) finish, on all product contact surfaces.

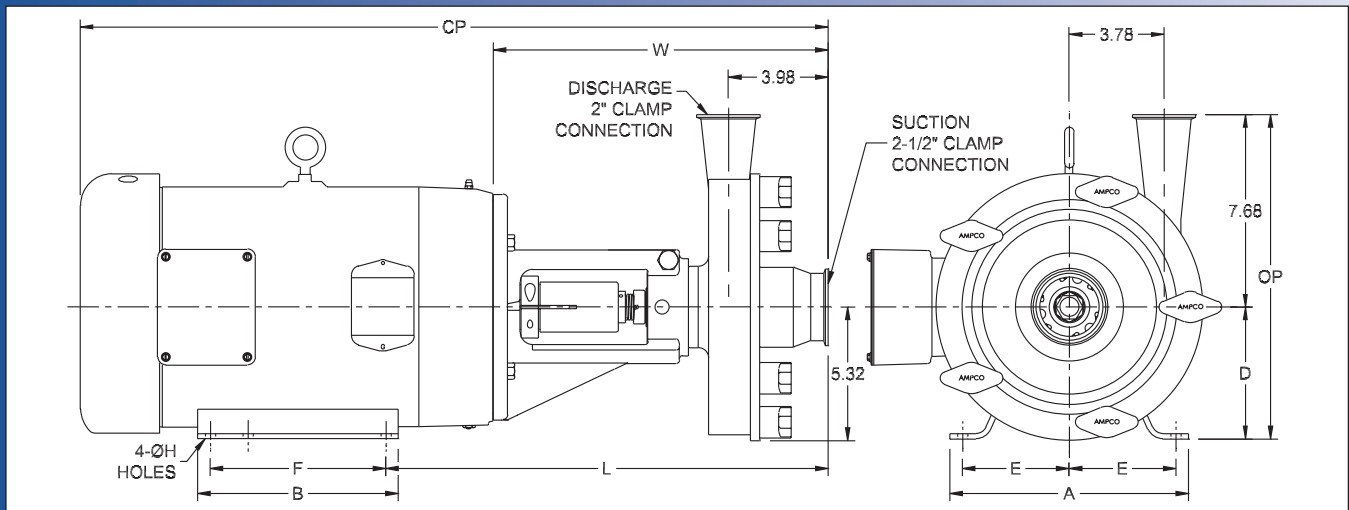
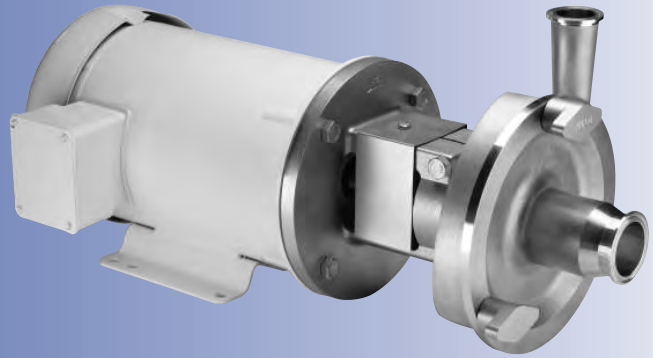
## Ampco Pumps Company

4424 West Mitchell Street - Milwaukee, Wisconsin 53214 - PHONE (414) 643-1852 - FAX (414) 643-4452

# Ampco Centrifugal Pumps

## DATA SHEET

MODEL LD-R32 2½X2



| TEFC MOTOR |      |       | DIMENSIONS IN INCHES (For Reference Only) |         |       |       |       |       |       |       |       |       | APPROX<br>WEIGHT<br>(LBS) |
|------------|------|-------|---|---------|-------|-------|-------|-------|-------|-------|-------|-------|---------------------------|
| HP         | RPM  | FRAME | A (typ)                                   | B (typ) | D     | E     | F     | ØH    | L     | W     | CP    | OP    |                           |
| 3          | 3500 | 182TC | 8-5/8                                     | 6-1/2   | 4-1/2 | 3-3/4 | 4-1/2 | 13/32 | 16.85 | 13.35 | 25.66 | 12.18 | 121                       |
| 5          | 3500 | 184TC | 8-5/8                                     | 6-1/2   | 4-1/2 | 3-3/4 | 5-1/2 | 13/32 | 16.85 | 13.35 | 27.03 | 12.18 | 135                       |
| 7-1/2      | 3500 | 184TC | 8-5/8                                     | 6-1/2   | 4-1/2 | 3-3/4 | 5-1/2 | 13/32 | 16.85 | 13.35 | 28.53 | 12.18 | 153                       |
| 10         | 3500 | 215TC | 9-1/2                                     | 8       | 5-1/4 | 4-1/4 | 7     | 13/32 | 17.60 | 13.35 | 28.62 | 12.93 | 187                       |
| 15         | 3500 | 215TC | 9-1/2                                     | 8       | 5-1/4 | 4-1/4 | 7     | 13/32 | 17.60 | 13.35 | 30.50 | 12.93 | 227                       |

## MATERIAL SPECIFICATIONS

| PART NAME                | STAINLESS STEEL |
|--------------------------|-----------------|
| Casing, Cover & Impeller | 316L Stainless  |
| Stub Shaft               | 316L Stainless  |
| Adapter                  | 304 Stainless   |

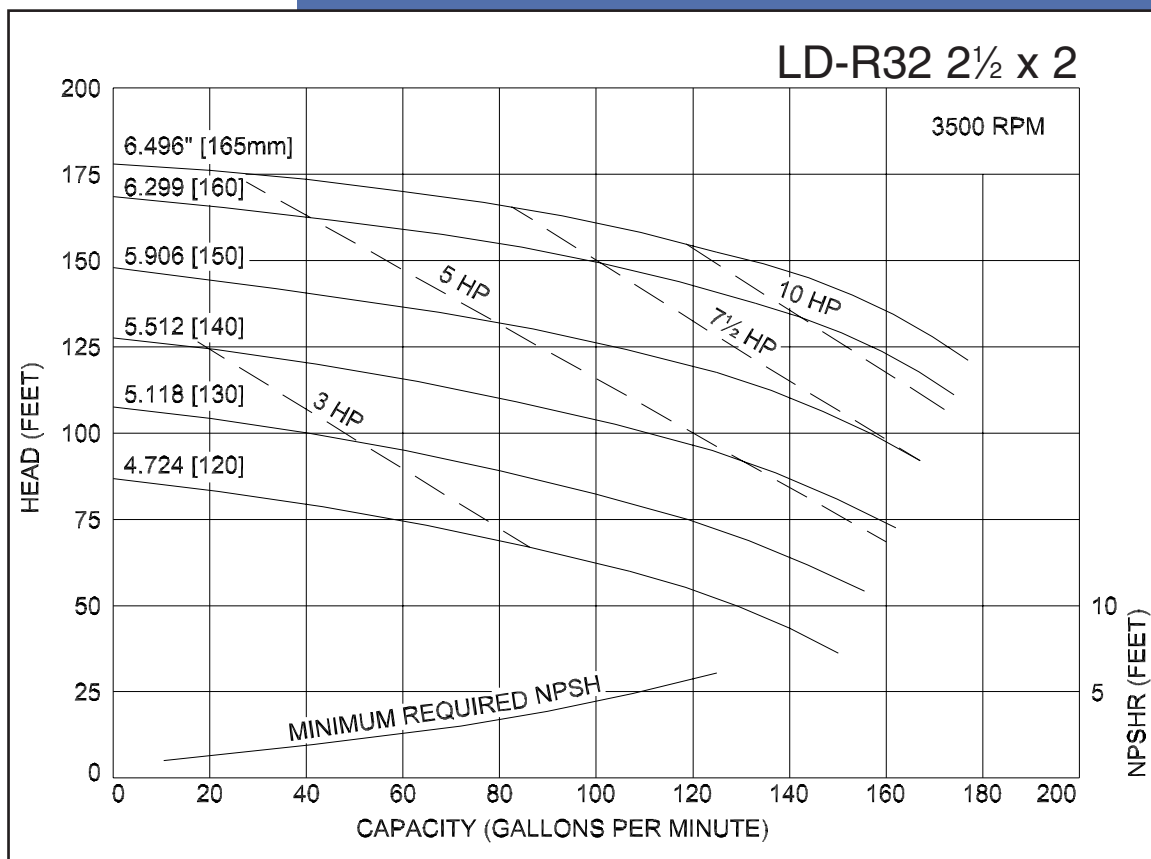


# Ampco Centrifugal Pumps

MODEL LD-R32 2½X2

Curves show approximate characteristics based on clear 68° water.  
Rated point is guaranteed.

LD-Series pumps have standard stainless steel adapters and silicon carbide vs. carbon internal seals and carbon vs. ceramic external seals.



LD pumps are in conformance with 3A sanitary standards for centrifugal and positive rotary pumps for milk and milk products, Number 02-09.

LD-Series pumps have a standard 32RA (150 grit) finish, on all product contact surfaces.

## Ampco Pumps Company

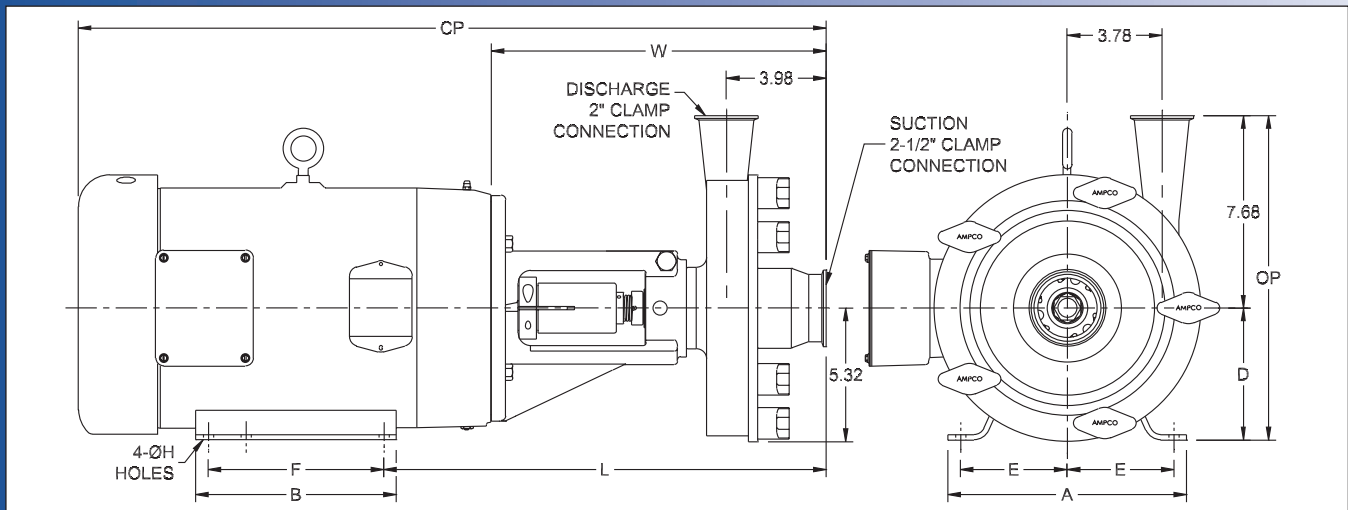
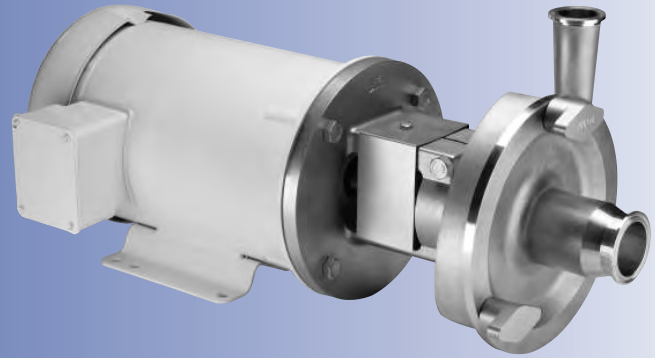
4424 West Mitchell Street - Milwaukee, Wisconsin 53214 - PHONE (414) 643-1852 - FAX (414) 643-4452



# Ampco Centrifugal Pumps

## DATA SHEET

MODEL LD-R41 2 1/2 X 2  
MODEL LD-R42 2 1/2 X 2



| TEFC MOTOR |      |        | DIMENSIONS IN INCHES (For Reference Only) |         |       |       |       |       |       |       |       |       | APPROX<br>WEIGHT<br>(LBS) |
|------------|------|--------|---|---------|-------|-------|-------|-------|-------|-------|-------|-------|---------------------------|
| HP         | RPM  | FRAME  | A (typ)                                   | B (typ) | D     | E     | F     | ØH    | L     | W     | CP    | OP    |                           |
| 1          | 1750 | 143TC  | 6-1/2                                     | 6       | 3-1/2 | 2-3/4 | 4     | 11/32 | 16.09 | 13.34 | 24.40 | 11.18 | 93                        |
| 1-1/2      | 1750 | 145TC  | 6-1/2                                     | 6       | 3-1/2 | 2-3/4 | 5     | 11/32 | 16.09 | 13.34 | 24.40 | 11.18 | 100                       |
| 2          | 1750 | 145TC  | 6-1/2                                     | 6       | 3-1/2 | 2-3/4 | 5     | 11/32 | 16.09 | 13.34 | 24.40 | 11.18 | 103                       |
| 3          | 1750 | 182TC  | 8-5/8                                     | 6-1/2   | 4-1/2 | 3-3/4 | 4-1/2 | 13/32 | 16.85 | 13.35 | 27.04 | 12.18 | 133                       |
| 7-1/2      | 3500 | 184TC  | 8-5/8                                     | 6-1/2   | 4-1/2 | 3-3/4 | 5-1/2 | 13/32 | 16.85 | 13.35 | 28.53 | 12.18 | 153                       |
| 10         | 3500 | 215TC  | 9-1/2                                     | 8       | 5-1/4 | 4-1/4 | 7     | 13/32 | 17.60 | 13.35 | 28.62 | 12.93 | 187                       |
| 15         | 3500 | 215TC  | 9-1/2                                     | 8       | 5-1/4 | 4-1/4 | 7     | 13/32 | 17.60 | 13.35 | 30.50 | 12.93 | 227                       |
| 20         | 3500 | 256TC  | 11-1/2                                    | 11-1/2  | 6-1/4 | 5     | 10    | 17/32 | 18.27 | 13.52 | 34.65 | 13.93 | 354                       |
| 25         | 3500 | 284TSC | 12-3/4                                    | 12-3/4  | 7     | 5-1/2 | 9-1/2 | 17/32 | 18.27 | 13.52 | 36.65 | 14.68 | 447                       |

## MATERIAL SPECIFICATIONS

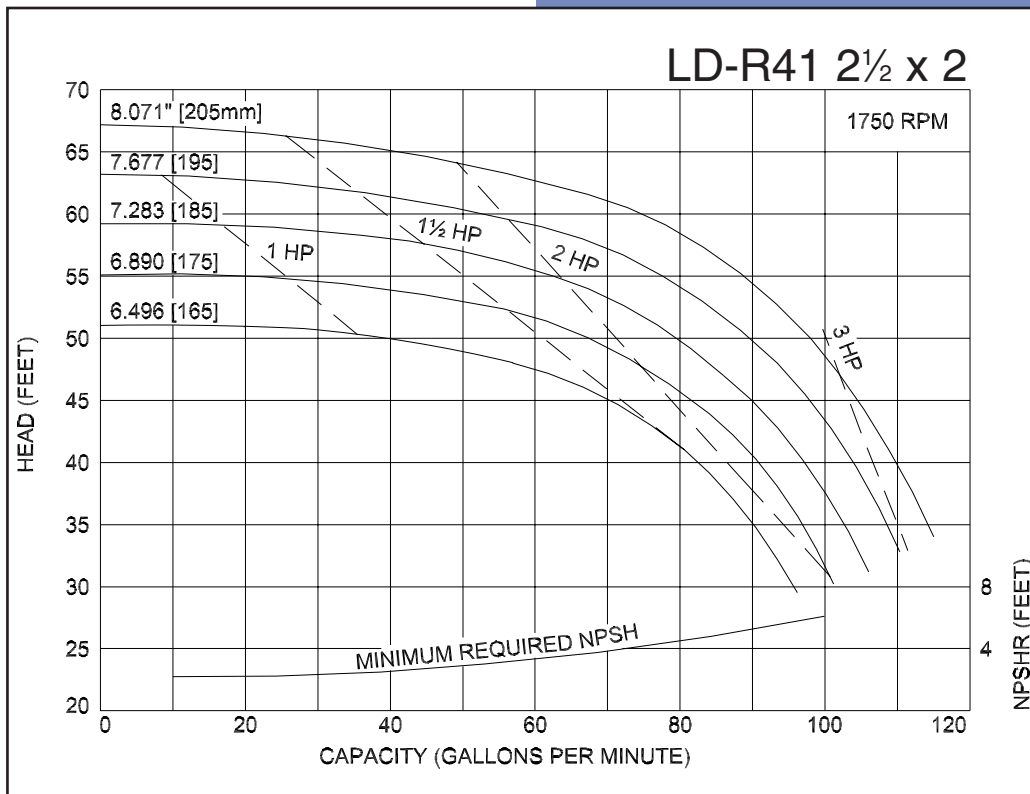
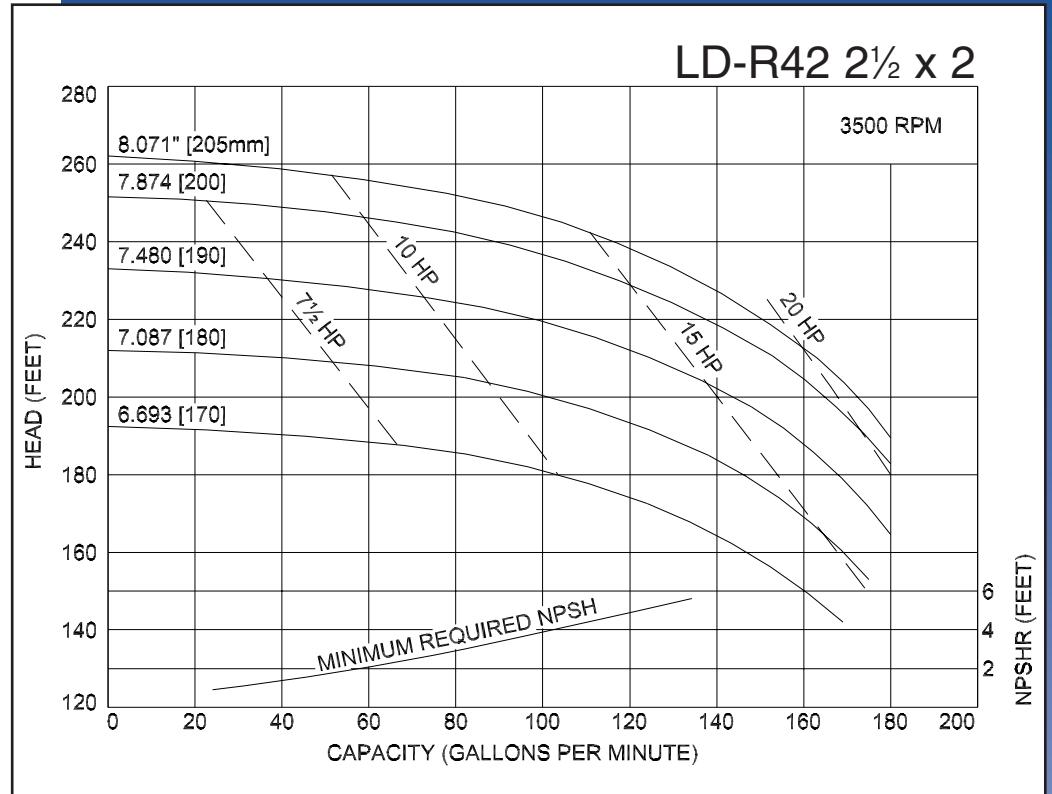
| PART NAME                | STAINLESS STEEL |
|--------------------------|-----------------|
| Casing, Cover & Impeller | 316L Stainless  |
| Stub Shaft               | 316L Stainless  |
| Adapter                  | 304 Stainless   |

MODEL LD-R41 2½ X2  
 MODEL LD-R42 2½ X2

# Ampco Centrifugal Pumps

Curves show approximate characteristics based on clear 68° water.  
 Rated point is guaranteed.

LD-Series pumps have standard stainless steel adapters and silicon carbide vs. carbon internal seals and carbon vs. ceramic external seals.



LD pumps are in conformance with 3A sanitary standards for centrifugal and positive rotary pumps for milk and milk products, Number 02-09.

LD-Series pumps have a standard 32RA (150 grit) finish, on all product contact surfaces.

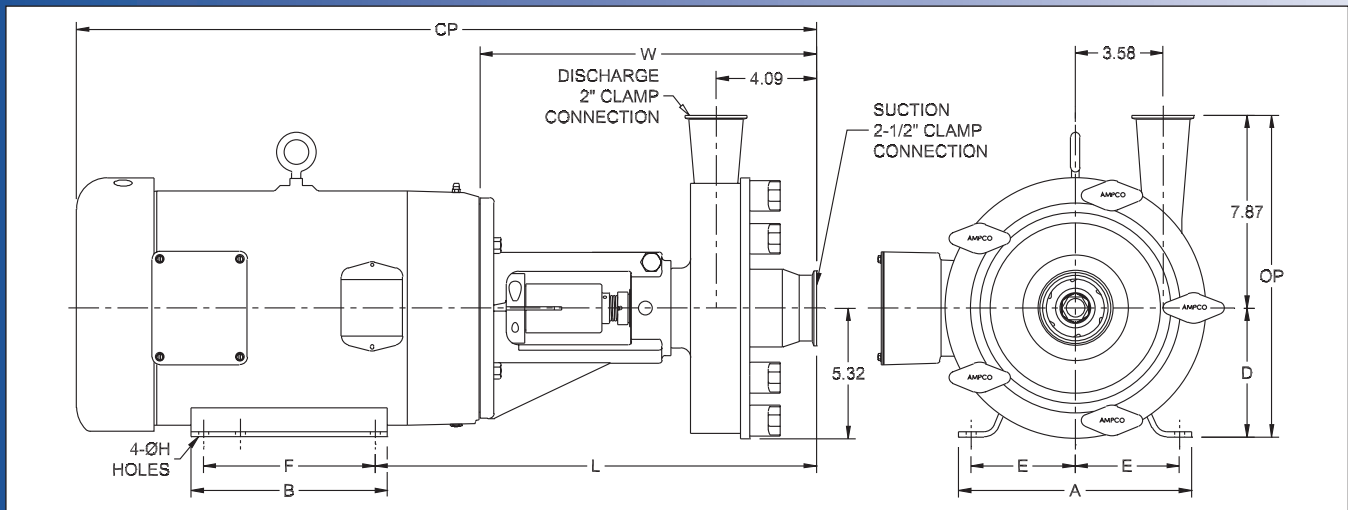
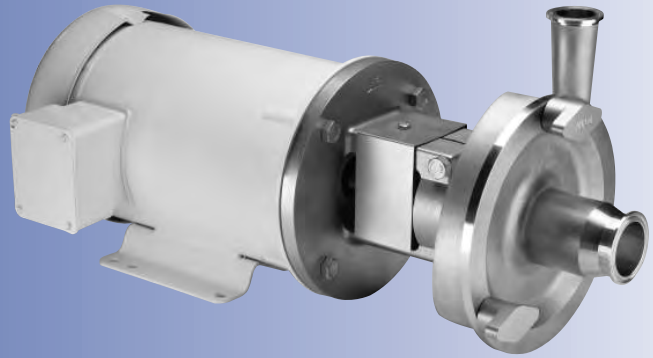
## Ampco Pumps Company

4424 West Mitchell Street  
 Milwaukee, Wisconsin 53214  
 PHONE (414) 643-1852  
 FAX (414) 643-4452

# Ampco Centrifugal Pumps

## DATA SHEET

MODEL LD-R132 2 1/2 X 2



| TEFC MOTOR |      |        | DIMENSIONS IN INCHES (For Reference Only) |         |       |       |       |       |       |       |       |       | APPROX<br>WEIGHT<br>(LBS) |
|------------|------|--------|---|---------|-------|-------|-------|-------|-------|-------|-------|-------|---------------------------|
| HP         | RPM  | FRAME  | A (typ)                                   | B (typ) | D     | E     | F     | ØH    | L     | W     | CP    | OP    |                           |
| 7-1/2      | 3500 | 184TC  | 8-5/8                                     | 6-1/2   | 4-1/2 | 3-3/4 | 5-1/2 | 13/32 | 17.23 | 13.73 | 28.91 | 12.37 | 163                       |
| 10         | 3500 | 215TC  | 9-1/2                                     | 8       | 5-1/4 | 4-1/4 | 7     | 13/32 | 17.98 | 13.73 | 29.00 | 13.12 | 193                       |
| 15         | 3500 | 215TC  | 9-1/2                                     | 8       | 5-1/4 | 4-1/4 | 7     | 13/32 | 17.98 | 13.73 | 30.88 | 13.12 | 235                       |
| 20         | 3500 | 256TC  | 11-1/2                                    | 11-1/2  | 6-1/4 | 5     | 10    | 17/32 | 18.64 | 13.89 | 35.02 | 14.12 | 360                       |
| 25         | 3500 | 284TSC | 12-3/4                                    | 12-3/4  | 7     | 5-1/2 | 9-1/2 | 17/32 | 18.64 | 13.89 | 37.02 | 14.87 | 453                       |
| 30         | 3500 | 286TSC | 12-3/4                                    | 12-3/4  | 7     | 5-1/2 | 11    | 17/32 | 18.64 | 13.89 | 37.02 | 14.87 | 475                       |

## MATERIAL SPECIFICATIONS

| PART NAME                | STAINLESS STEEL |
|--------------------------|-----------------|
| Casing, Cover & Impeller | 316L Stainless  |
| Stub Shaft               | 316L Stainless  |
| Adapter                  | 304 Stainless   |

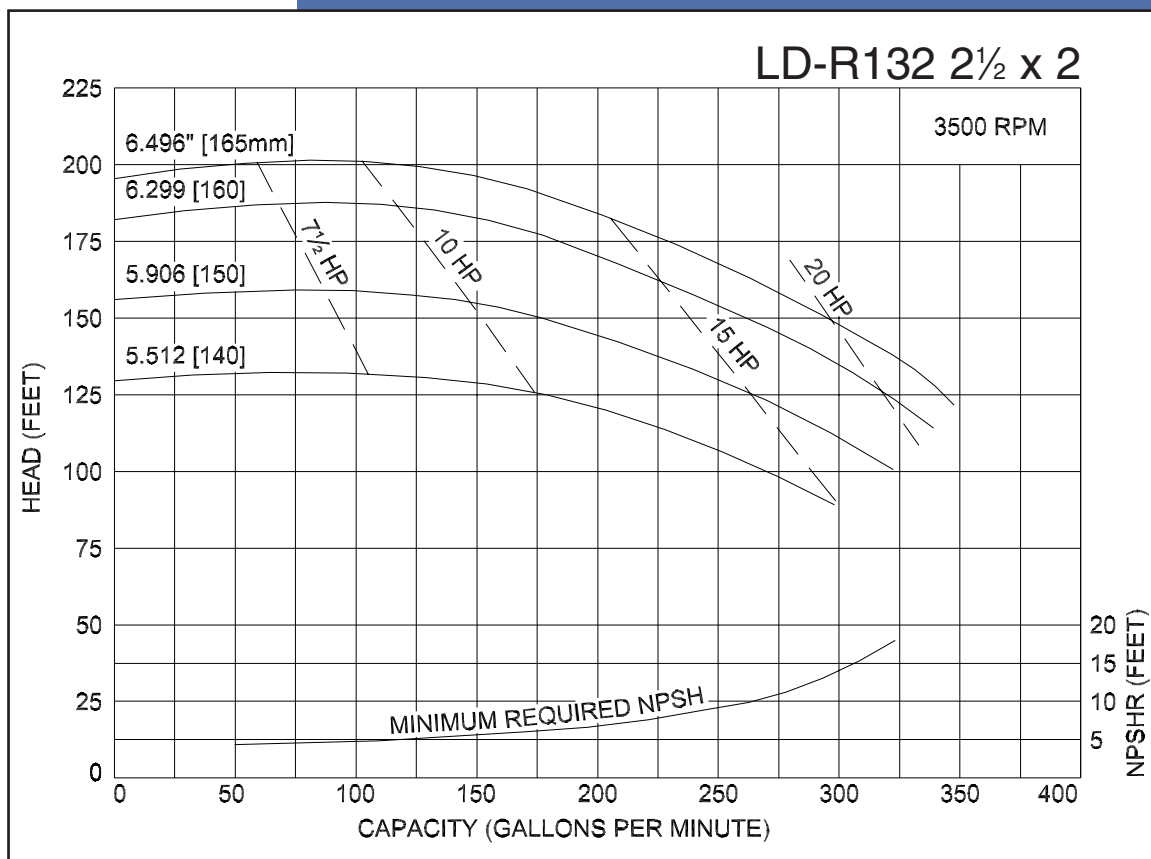


# Ampco Centrifugal Pumps

MODEL LD-R132 2½ X2

Curves show approximate characteristics based on clear 68° water.  
Rated point is guaranteed.

LD-Series pumps have standard stainless steel adapters and silicon carbide vs. carbon internal seals and carbon vs. ceramic external seals.



LD pumps are in conformance with 3A sanitary standards for centrifugal and positive rotary pumps for milk and milk products, Number 02-09.

LD-Series pumps have a standard 32RA (150 grit) finish, on all product contact surfaces.

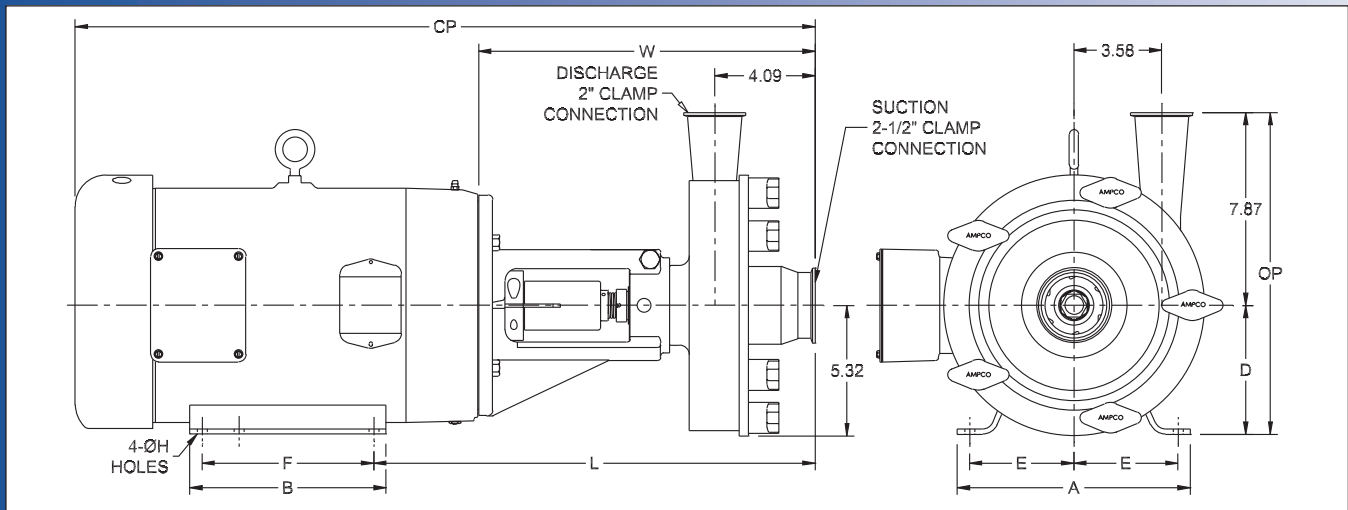
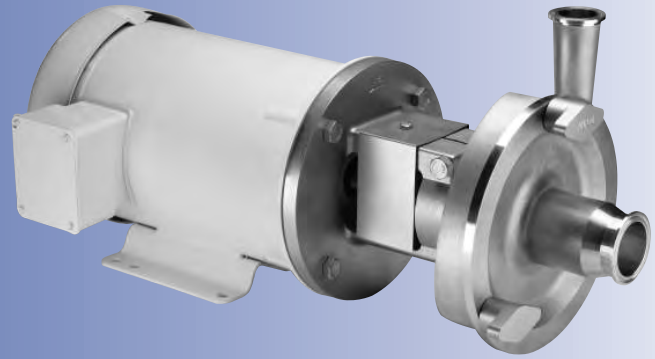
## Ampco Pumps Company

4424 West Mitchell Street - Milwaukee, Wisconsin 53214 - PHONE (414) 643-1852 - FAX (414) 643-4452

# Ampco Centrifugal Pumps

## DATA SHEET

MODEL LD-R141 2 1/2 X2  
MODEL LD-R142 2 1/2 X2



| TEFC MOTOR |      |        | DIMENSIONS IN INCHES (For Reference Only) |         |       |       |        |       |       |       |       |       | APPROX<br>WEIGHT<br>(LBS) |
|------------|------|--------|---|---------|-------|-------|--------|-------|-------|-------|-------|-------|---------------------------|
| HP         | RPM  | FRAME  | A (typ)                                   | B (typ) | D     | E     | F      | ØH    | L     | W     | CP    | OP    |                           |
| 1          | 1750 | 143TC  | 6-1/2                                     | 6       | 3-1/2 | 2-3/4 | 4      | 11/32 | 15.67 | 12.92 | 24.78 | 11.37 | 104                       |
| 1-1/2      | 1750 | 145TC  | 6-1/2                                     | 6       | 3-1/2 | 2-3/4 | 5      | 11/32 | 15.67 | 12.92 | 24.78 | 11.37 | 110                       |
| 2          | 1750 | 145TC  | 6-1/2                                     | 6       | 3-1/2 | 2-3/4 | 5      | 11/32 | 15.67 | 12.92 | 24.78 | 11.37 | 113                       |
| 3          | 1750 | 182TC  | 8-5/8                                     | 6-1/2   | 4-1/2 | 3-3/4 | 4-1/2  | 13/32 | 18.03 | 14.53 | 27.42 | 12.37 | 140                       |
| 5          | 1750 | 184TC  | 8-5/8                                     | 6-1/2   | 4-1/2 | 3-3/4 | 5-1/2  | 13/32 | 18.03 | 14.53 | 28.91 | 12.37 | 147                       |
| 7-1/2      | 1750 | 213TC  | 9-1/2                                     | 8       | 5-1/4 | 4-1/4 | 5-1/2  | 13/32 | 18.78 | 14.53 | 29.00 | 13.12 | 164                       |
| 10         | 3500 | 215TC  | 9-1/2                                     | 8       | 5-1/4 | 4-1/4 | 7      | 13/32 | 18.78 | 14.53 | 29.00 | 13.12 | 194                       |
| 15         | 3500 | 215TC  | 9-1/2                                     | 8       | 5-1/4 | 4-1/4 | 7      | 13/32 | 18.78 | 14.53 | 30.88 | 13.12 | 236                       |
| 20         | 3500 | 256TC  | 11-1/2                                    | 11-1/2  | 6-1/4 | 5     | 10     | 17/32 | 18.64 | 13.89 | 35.02 | 14.12 | 361                       |
| 25         | 3500 | 284TSC | 12-3/4                                    | 12-3/4  | 7     | 5-1/2 | 9-1/2  | 17/32 | 18.64 | 13.89 | 37.02 | 14.87 | 454                       |
| 30         | 3500 | 286TSC | 12-3/4                                    | 12-3/4  | 7     | 5-1/2 | 11     | 17/32 | 18.64 | 13.89 | 37.02 | 14.87 | 476                       |
| 40         | 3500 | 324TSC | 14-1/2                                    | 14      | 8     | 6-1/4 | 10-1/2 | 21/32 | 19.77 | 14.52 | 39.52 | 15.87 | 590                       |
| 50         | 3500 | 326TSC | 14-1/2                                    | 14      | 8     | 6-1/4 | 12     | 21/32 | 19.77 | 14.52 | 39.52 | 15.87 | 699                       |

## MATERIAL SPECIFICATIONS

| PART NAME                | STAINLESS STEEL |
|--------------------------|-----------------|
| Casing, Cover & Impeller | 316L Stainless  |
| Stub Shaft               | 316L Stainless  |
| Adapter                  | 304 Stainless   |

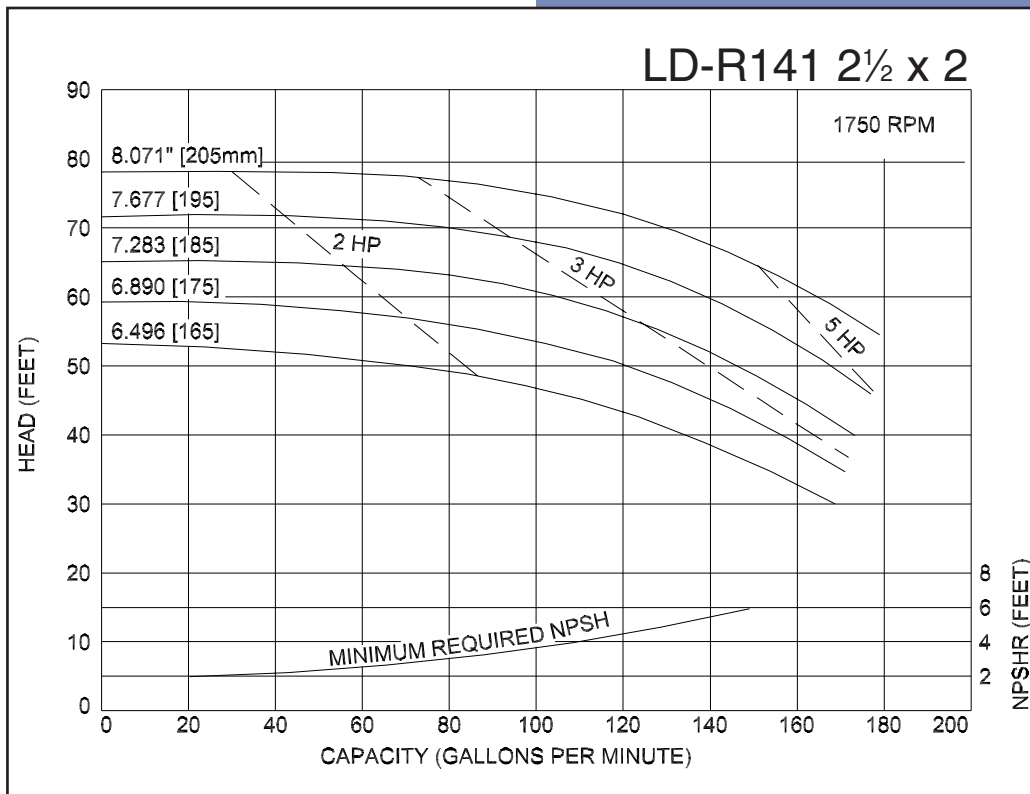
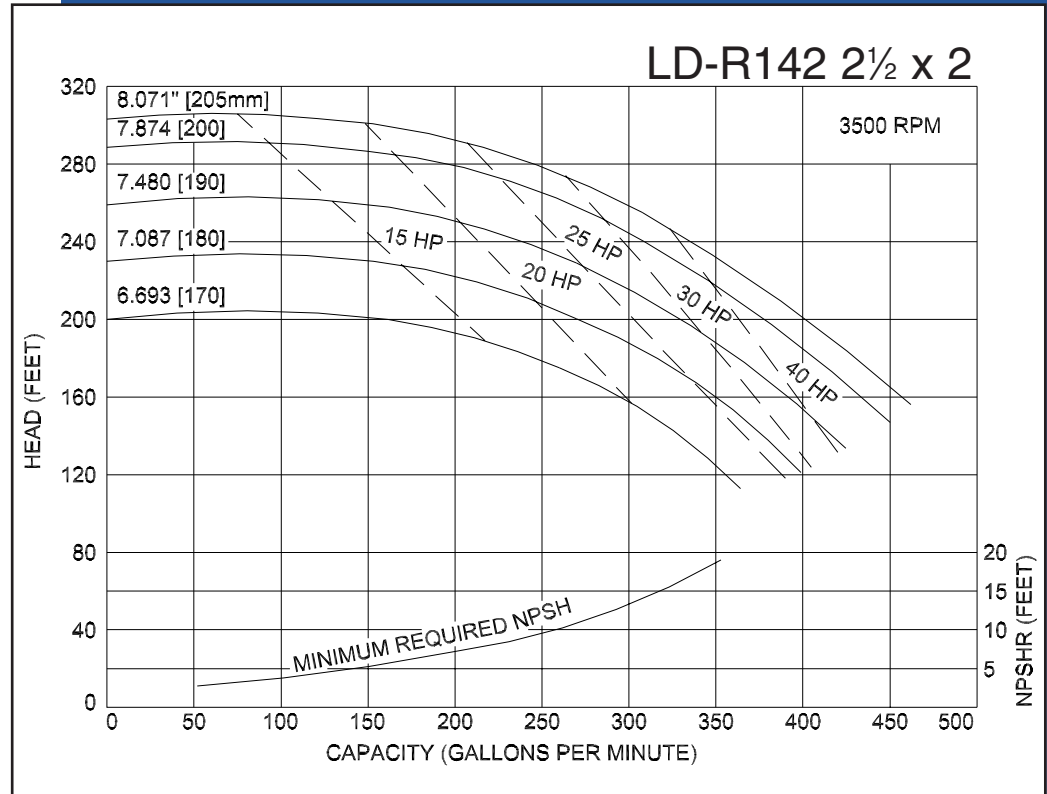


# Ampco Centrifugal Pumps

MODEL LD-R141 2 1/2 X 2  
 MODEL LD-R142 2 1/2 X 2

Curves show approximate characteristics based on clear 68° water. Rated point is guaranteed.

LD-Series pumps have standard stainless steel adapters and silicon carbide vs. carbon internal seals and carbon vs. ceramic external seals.



LD pumps are in conformance with 3A sanitary standards for centrifugal and positive rotary pumps for milk and milk products, Number 02-09.

LD-Series pumps have a standard 32RA (150 grit) finish, on all product contact surfaces.

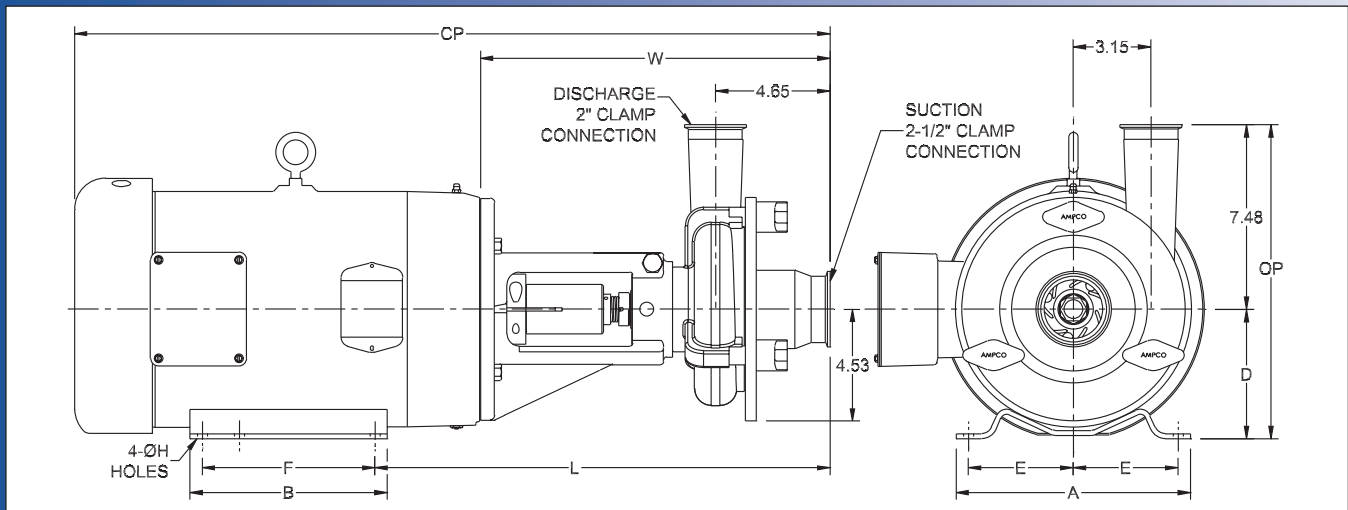
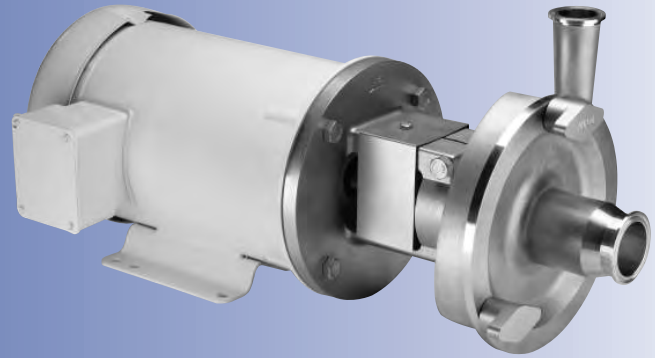
## Ampco Pumps Company

4424 West Mitchell Street  
 Milwaukee, Wisconsin 53214  
 PHONE (414) 643-1852  
 FAX (414) 643-4452

# Ampco Centrifugal Pumps

## DATA SHEET

MODEL LD-V521 2 1/2 X2  
MODEL LD-V522 2 1/2 X2



| TEFC MOTOR |      |       | DIMENSIONS IN INCHES (For Reference Only) |         |       |       |       |       |       |       |       |       | APPROX WEIGHT (LBS) |
|------------|------|-------|---|---------|-------|-------|-------|-------|-------|-------|-------|-------|---------------------|
| HP         | RPM  | FRAME | A (typ)                                   | B (typ) | D     | E     | F     | ØH    | L     | W     | CP    | OP    |                     |
| 1          | 1750 | 143TC | 6-1/2                                     | 6       | 3-1/2 | 2-3/4 | 4     | 11/32 | 16.92 | 14.17 | 25.23 | 10.98 | 86                  |
| 1-1/2      | 1750 | 145TC | 6-1/2                                     | 6       | 3-1/2 | 2-3/4 | 5     | 11/32 | 16.92 | 14.17 | 25.23 | 10.98 | 92                  |
| 2          | 1750 | 145TC | 6-1/2                                     | 6       | 3-1/2 | 2-3/4 | 5     | 11/32 | 16.92 | 14.17 | 25.23 | 10.98 | 95                  |
| 5          | 3500 | 184TC | 8-5/8                                     | 6-1/2   | 4-1/2 | 3-3/4 | 5-1/2 | 13/32 | 17.68 | 14.18 | 27.86 | 11.98 | 127                 |
| 7-1/2      | 3500 | 184TC | 8-5/8                                     | 6-1/2   | 4-1/2 | 3-3/4 | 5-1/2 | 13/32 | 17.68 | 14.18 | 29.36 | 11.98 | 145                 |
| 10         | 3500 | 215TC | 9-1/2                                     | 8       | 5-1/4 | 4-1/4 | 7     | 13/32 | 18.43 | 14.18 | 29.45 | 12.73 | 179                 |
| 15         | 3500 | 215TC | 9-1/2                                     | 8       | 5-1/4 | 4-1/4 | 7     | 13/32 | 18.43 | 14.18 | 31.33 | 12.73 | 219                 |

## MATERIAL SPECIFICATIONS

| PART NAME                | STAINLESS STEEL |
|--------------------------|-----------------|
| Casing, Cover & Impeller | 316L Stainless  |
| Stub Shaft               | 316L Stainless  |
| Adapter                  | 304 Stainless   |

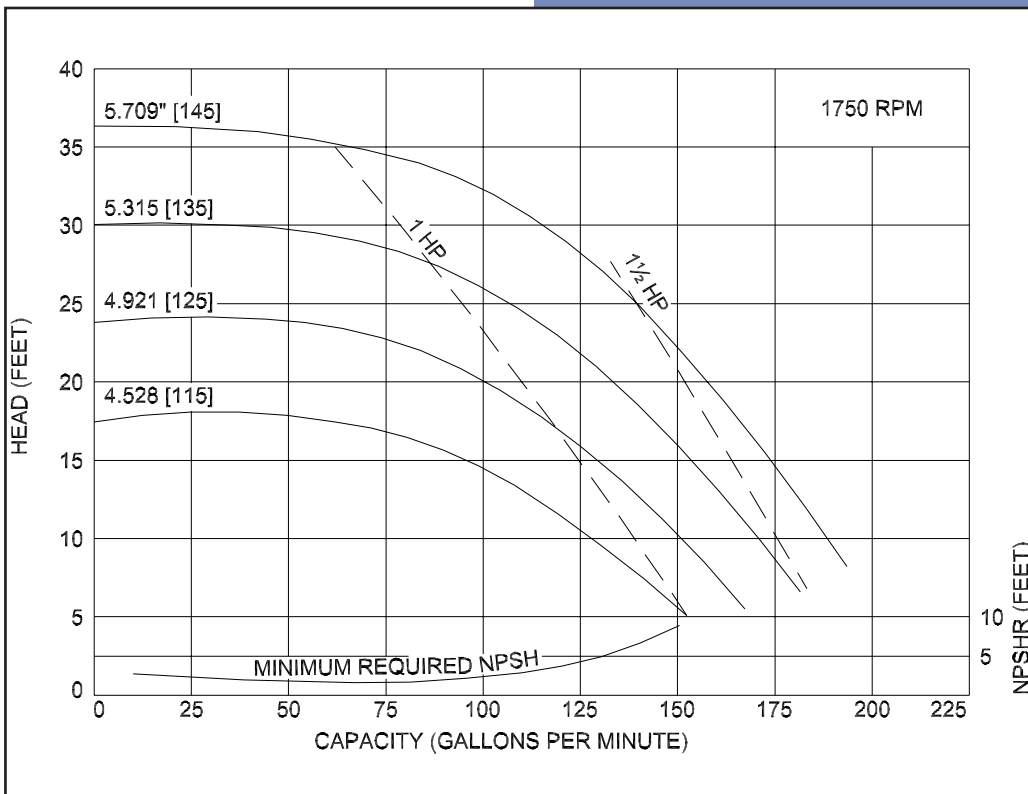
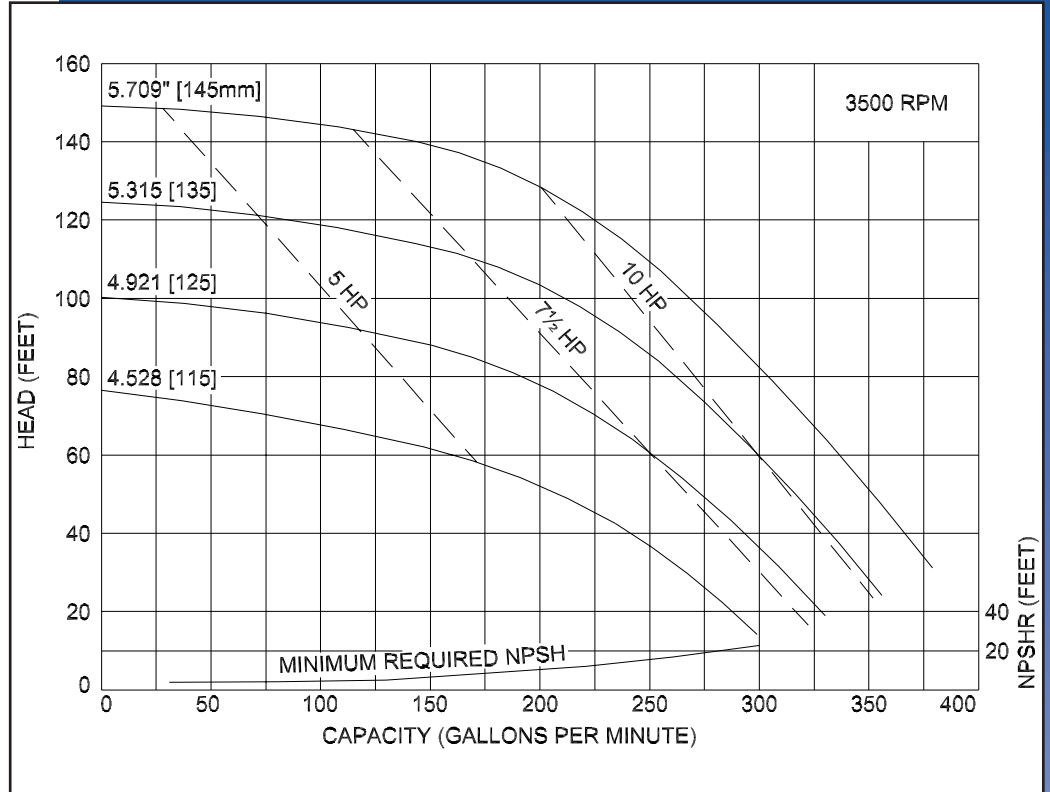


# Ampco Centrifugal Pumps

MODEL LD-V521 2 1/2 X 2  
 MODEL LD-V522 2 1/2 X 2

Curves show approximate characteristics based on clear 68° water. Rated point is guaranteed.

LD-Series pumps have standard stainless steel adapters and silicon carbide vs. carbon internal seals and carbon vs. ceramic external seals.



LD pumps are in conformance with 3A sanitary standards for centrifugal and positive rotary pumps for milk and milk products, Number 02-09.

LD-Series pumps have a standard 32RA (150 grit) finish, on all product contact surfaces.

**Ampco  
Pumps  
Company**

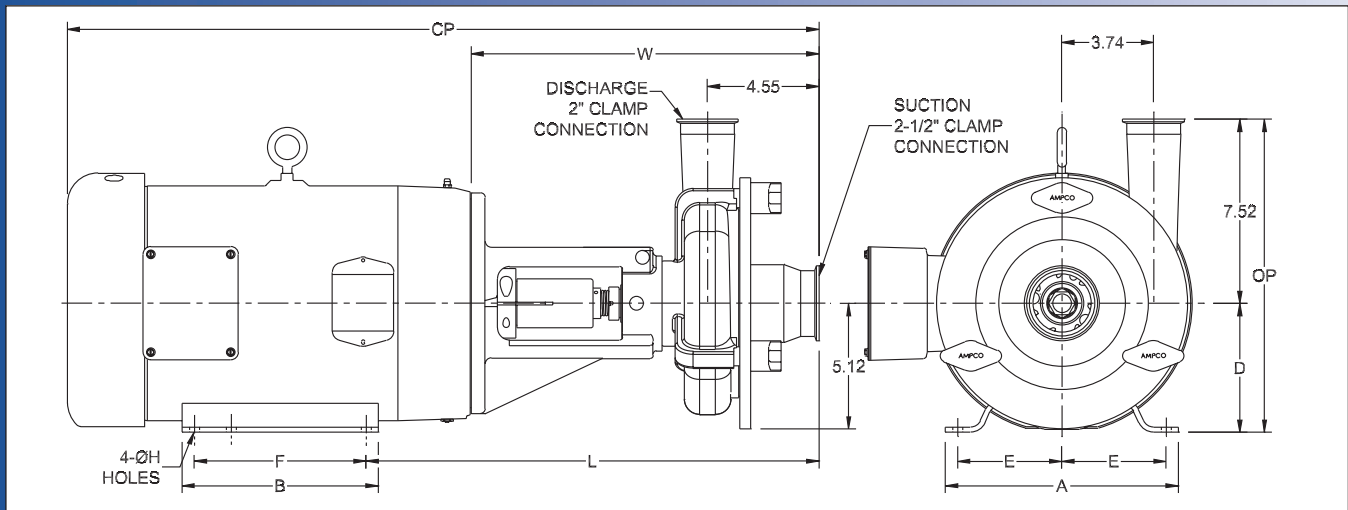
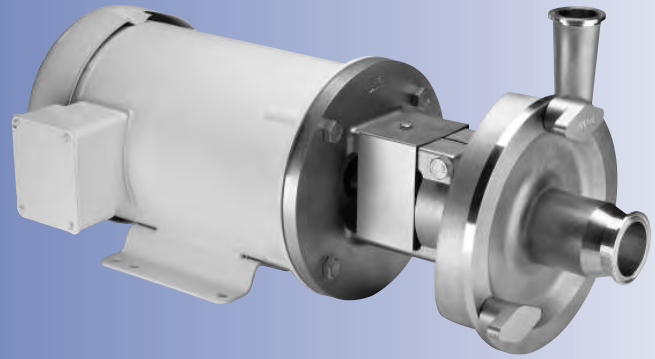
4424 West Mitchell Street  
 Milwaukee, Wisconsin 53214  
 PHONE (414) 643-1852  
 FAX (414) 643-4452



# Ampco Centrifugal Pumps

## DATA SHEET

MODEL LD-V531 2 1/2 X2  
MODEL LD-V532 2 1/2 X2



| TEFC MOTOR |      |        | DIMENSIONS IN INCHES (For Reference Only) |         |       |       |       |       |       |       |       |       | APPROX WEIGHT (LBS) |
|------------|------|--------|---|---------|-------|-------|-------|-------|-------|-------|-------|-------|---------------------|
| HP         | RPM  | FRAME  | A (typ)                                   | B (typ) | D     | E     | F     | ØH    | L     | W     | CP    | OP    |                     |
| 1          | 1750 | 143TC  | 6-1/2                                     | 6       | 3-1/2 | 2-3/4 | 4     | 11/32 | 16.92 | 14.17 | 25.23 | 11.02 | 92                  |
| 1-1/2      | 1750 | 145TC  | 6-1/2                                     | 6       | 3-1/2 | 2-3/4 | 5     | 11/32 | 16.92 | 14.17 | 25.23 | 11.02 | 98                  |
| 2          | 1750 | 145TC  | 6-1/2                                     | 6       | 3-1/2 | 2-3/4 | 5     | 11/32 | 16.92 | 14.17 | 25.23 | 11.02 | 101                 |
| 3          | 1750 | 182TC  | 8-5/8                                     | 6-1/2   | 4-1/2 | 3-3/4 | 4-1/2 | 13/32 | 17.68 | 14.18 | 27.87 | 12.02 | 131                 |
| 5          | 1750 | 184TC  | 8-5/8                                     | 6-1/2   | 4-1/2 | 3-3/4 | 5-1/2 | 13/32 | 17.68 | 14.18 | 29.36 | 12.02 | 138                 |
| 5          | 3500 | 184TC  | 8-5/8                                     | 6-1/2   | 4-1/2 | 3-3/4 | 5-1/2 | 13/32 | 17.68 | 14.18 | 27.86 | 12.02 | 188                 |
| 7-1/2      | 3500 | 184TC  | 8-5/8                                     | 6-1/2   | 4-1/2 | 3-3/4 | 5-1/2 | 13/32 | 17.68 | 14.18 | 29.36 | 12.02 | 198                 |
| 10         | 3500 | 215TC  | 9-1/2                                     | 8       | 5-1/4 | 4-1/4 | 7     | 13/32 | 18.43 | 14.18 | 29.45 | 12.77 | 313                 |
| 15         | 3500 | 215TC  | 9-1/2                                     | 8       | 5-1/4 | 4-1/4 | 7     | 13/32 | 18.43 | 14.18 | 31.33 | 12.77 | 334                 |
| 20         | 3500 | 256TC  | 11-1/2                                    | 11-1/2  | 6-1/4 | 5     | 10    | 17/32 | 19.10 | 14.35 | 35.48 | 13.77 | 376                 |
| 25         | 3500 | 284TSC | 12-3/4                                    | 12-3/4  | 7     | 5-1/2 | 9-1/2 | 17/32 | 19.10 | 14.35 | 37.48 | 14.52 | 469                 |

### MATERIAL SPECIFICATIONS

| PART NAME                | STAINLESS STEEL |
|--------------------------|-----------------|
| Casing, Cover & Impeller | 316L Stainless  |
| Stub Shaft               | 316L Stainless  |
| Adapter                  | 304 Stainless   |

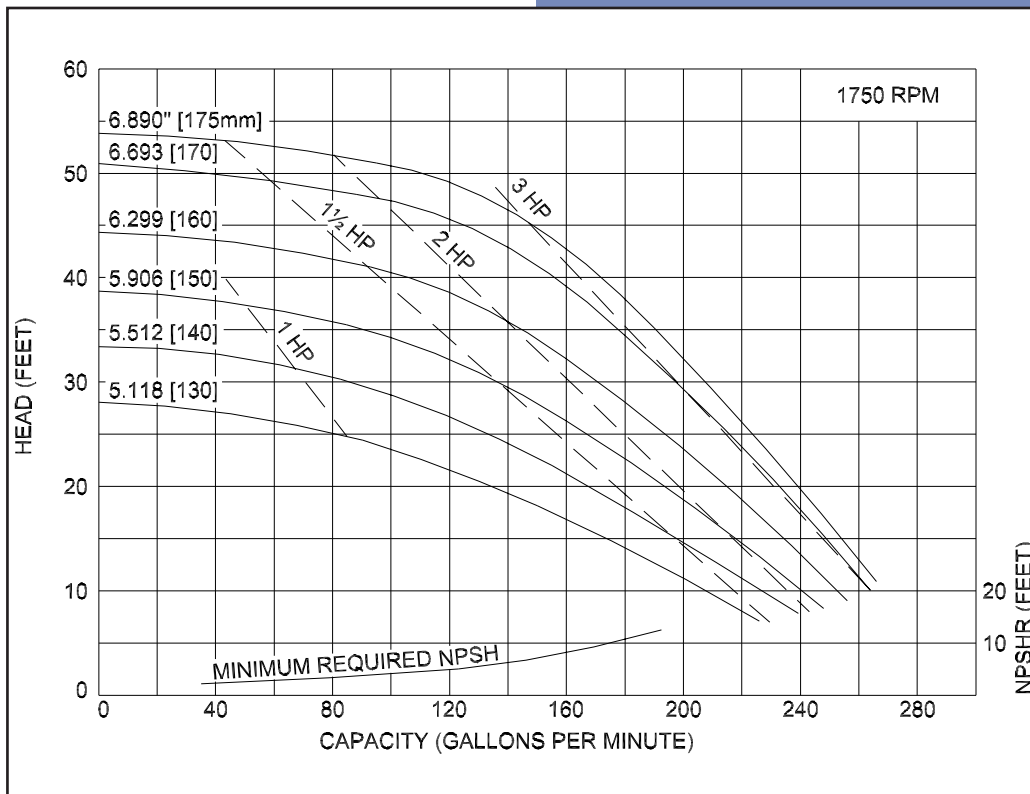
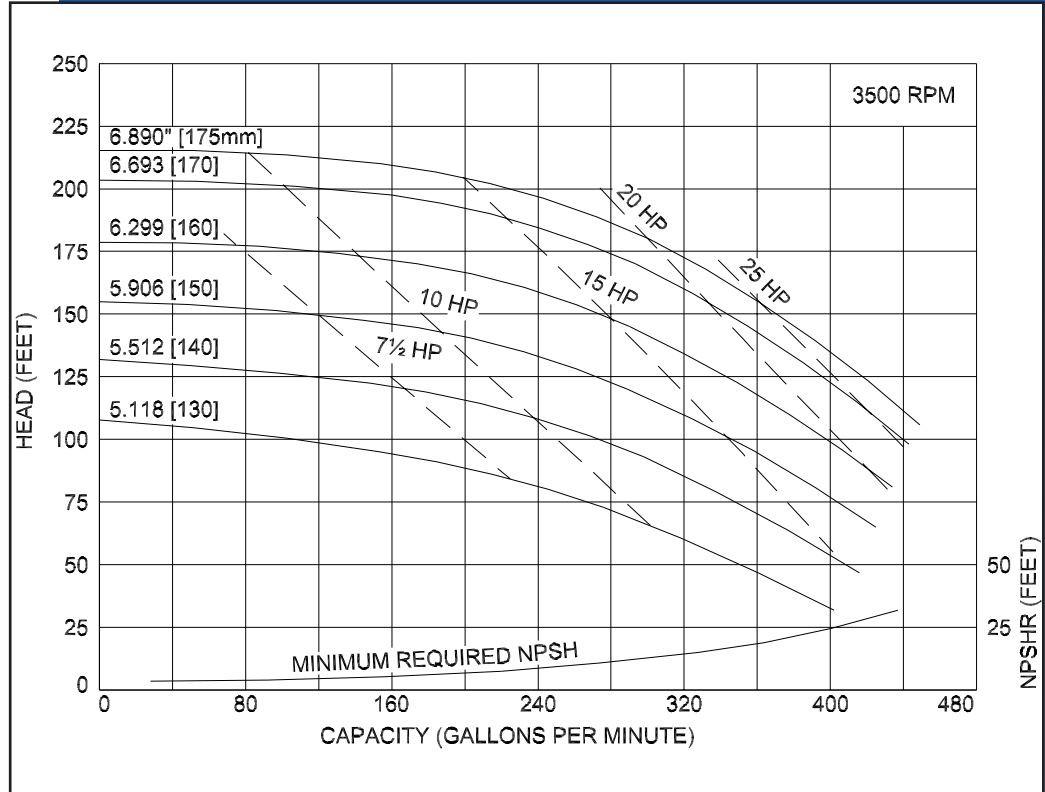


# Ampco Centrifugal Pumps

MODEL LD-V531 2 1/2 X 2  
 MODEL LD-V532 2 1/2 X 2

Curves show approximate characteristics based on clear 68° water.  
 Rated point is guaranteed.

LD-Series pumps have standard stainless steel adapters and silicon carbide vs. carbon internal seals and carbon vs. ceramic external seals.



LD pumps are in conformance with 3A sanitary standards for centrifugal and positive rotary pumps for milk and milk products, Number 02-09.

LD-Series pumps have a standard 32RA (150 grit) finish, on all product contact surfaces.

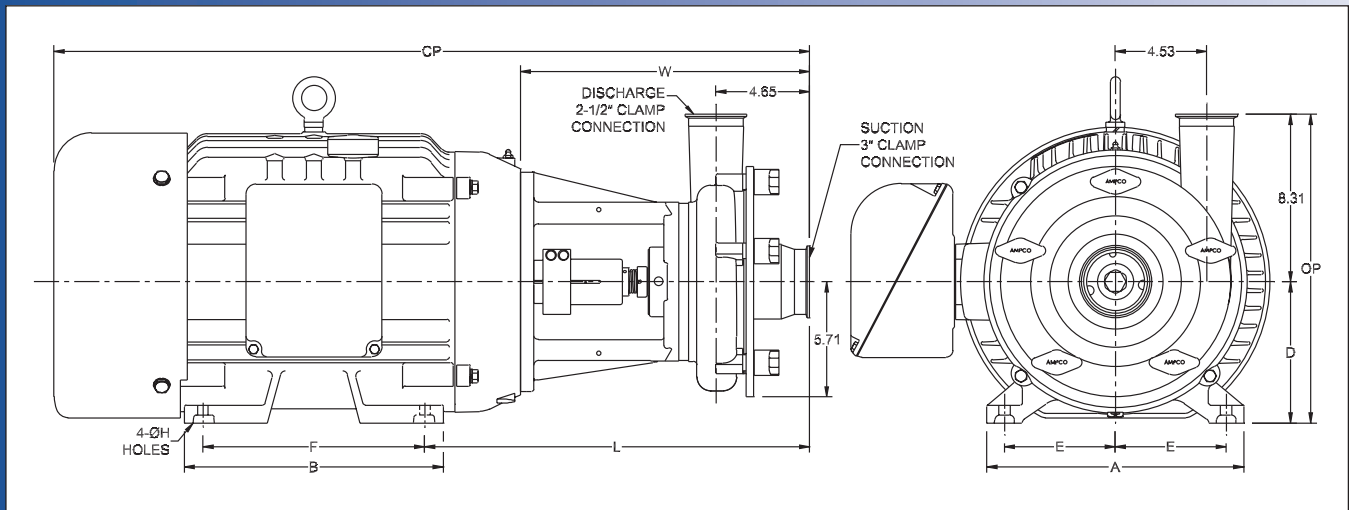
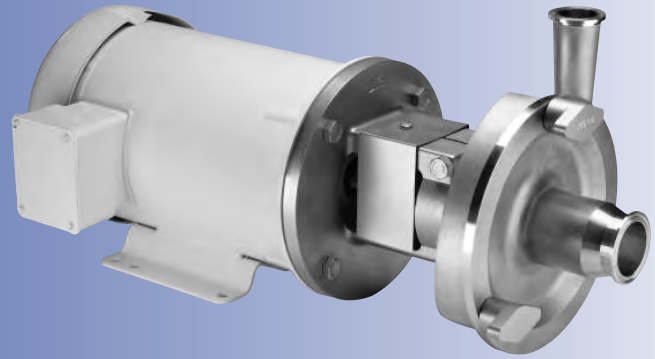
## Ampco Pumps Company

4424 West Mitchell Street  
 Milwaukee, Wisconsin 53214  
 PHONE (414) 643-1852  
 FAX (414) 643-4452

# Ampco Centrifugal Pumps

## DATA SHEET

MODEL LD-V541 3X2 $\frac{1}{2}$   
MODEL LD-V542 3X2 $\frac{1}{2}$



| TEFC MOTOR |      |        | DIMENSIONS IN INCHES (For Reference Only) |         |       |       |        |       |       |       |       |       | APPROX WEIGHT (LBS) |
|------------|------|--------|---|---------|-------|-------|--------|-------|-------|-------|-------|-------|---------------------|
| HP         | RPM  | FRAME  | A (typ)                                   | B (typ) | D     | E     | F      | ØH    | L     | W     | CP    | OP    |                     |
| 2          | 1750 | 145TC  | 6-1/2                                     | 6       | 3-1/2 | 2-3/4 | 5      | 11/32 | 16.92 | 14.17 | 25.23 | 11.81 | 117                 |
| 3          | 1750 | 182TC  | 8-5/8                                     | 6-1/2   | 4-1/2 | 2-3/4 | 4-1/2  | 13/32 | 17.68 | 14.18 | 27.87 | 12.81 | 147                 |
| 5          | 1750 | 184TC  | 8-5/8                                     | 6-1/2   | 4-1/2 | 3-3/4 | 5-1/2  | 13/32 | 17.68 | 14.18 | 29.36 | 12.81 | 154                 |
| 7-1/2      | 1750 | 213TC  | 9-1/2                                     | 8       | 5-1/4 | 4-1/4 | 5-1/2  | 13/32 | 18.43 | 14.18 | 29.45 | 13.56 | 205                 |
| 10         | 3500 | 215TC  | 9-1/2                                     | 8       | 5-1/4 | 4-1/4 | 7      | 13/32 | 18.43 | 14.18 | 29.45 | 13.56 | 201                 |
| 15         | 3500 | 215TC  | 9-1/2                                     | 8       | 5-1/4 | 4-1/4 | 7      | 13/32 | 18.43 | 14.18 | 31.33 | 13.56 | 241                 |
| 20         | 3500 | 256TC  | 11-1/2                                    | 11-1/2  | 6-1/4 | 5     | 10     | 17/32 | 19.10 | 14.35 | 35.48 | 14.56 | 368                 |
| 25         | 3500 | 284TSC | 12-3/4                                    | 12-3/4  | 7     | 5-1/2 | 9-1/2  | 17/32 | 19.10 | 14.35 | 37.48 | 15.31 | 461                 |
| 30         | 3500 | 286TSC | 12-3/4                                    | 12-3/4  | 7     | 5-1/2 | 11     | 17/32 | 19.10 | 14.35 | 37.48 | 15.31 | 483                 |
| 40         | 3500 | 324TSC | 14-1/2                                    | 14      | 8     | 6-1/4 | 10-1/2 | 21/32 | 20.23 | 14.98 | 39.98 | 16.31 | 597                 |
| 50         | 3500 | 326TSC | 14-1/2                                    | 14      | 8     | 6-1/4 | 12     | 21/32 | 20.23 | 14.98 | 39.98 | 16.31 | 706                 |

## MATERIAL SPECIFICATIONS

| PART NAME                | STAINLESS STEEL |
|--------------------------|-----------------|
| Casing, Cover & Impeller | 316L Stainless  |
| Stub Shaft               | 316L Stainless  |
| Adapter                  | 304 Stainless   |

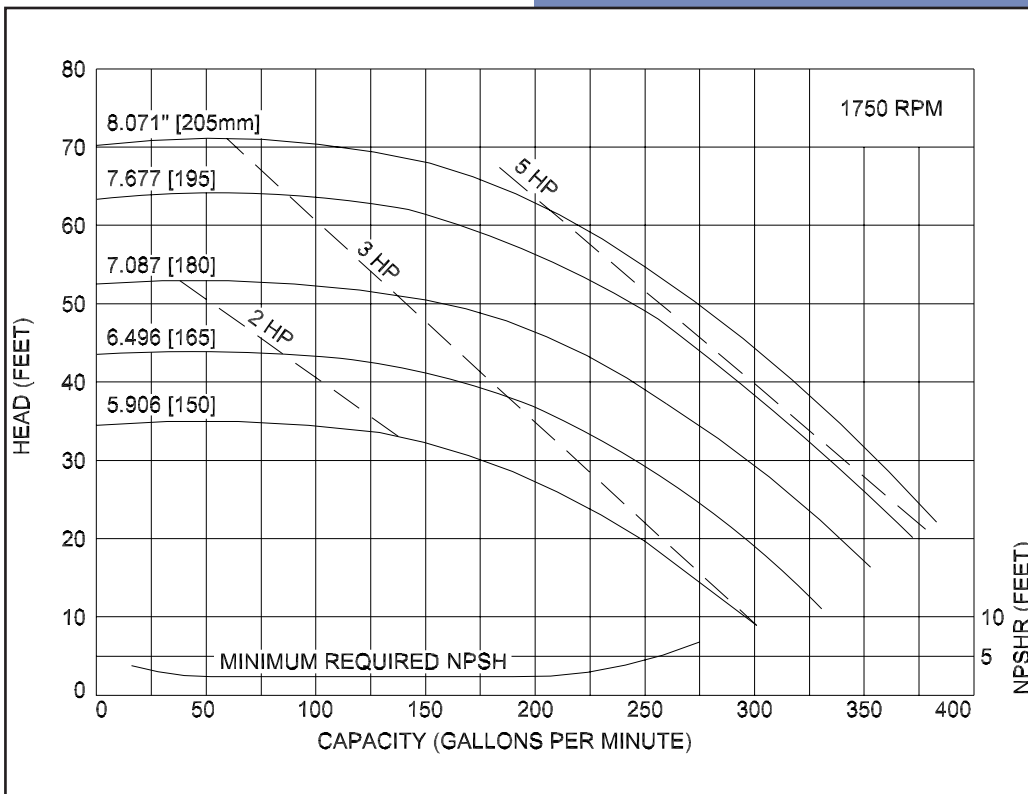
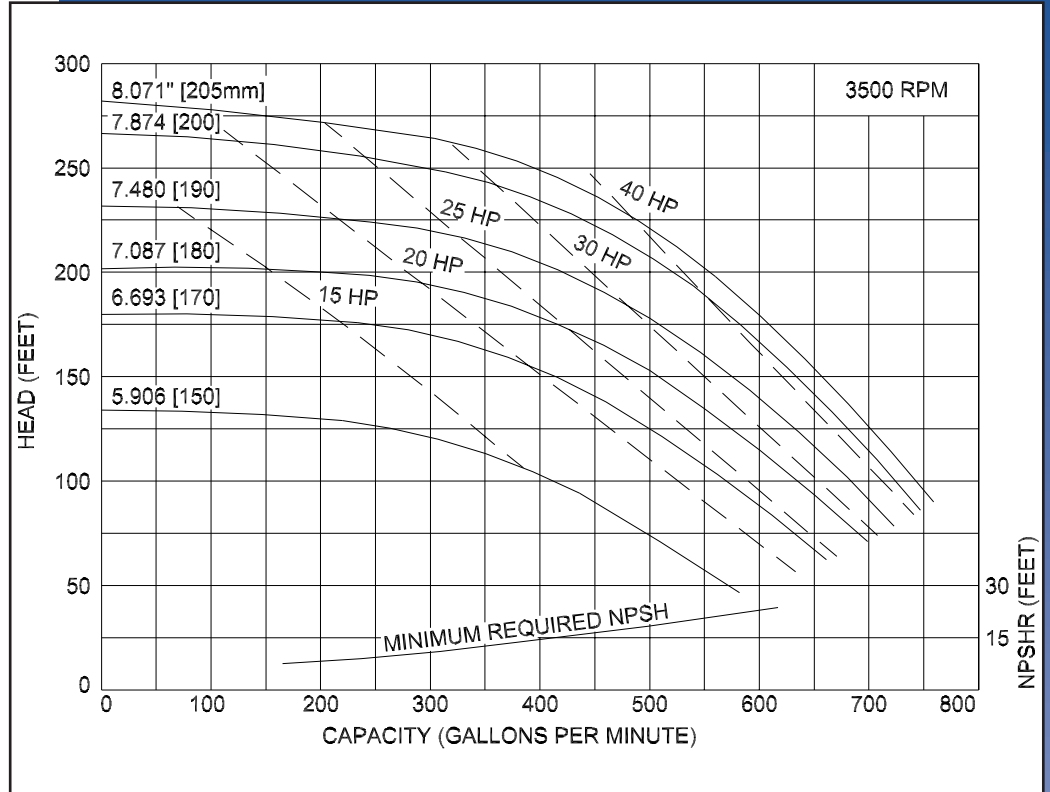


# Ampco Centrifugal Pumps

MODEL LD-V541 3X2½  
 MODEL LD-V542 3X2½

Curves show approximate characteristics based on clear 68° water. Rated point is guaranteed.

LD-Series pumps have standard stainless steel adapters and silicon carbide vs. carbon internal seals and carbon vs. ceramic external seals.



LD pumps are in conformance with 3A sanitary standards for centrifugal and positive rotary pumps for milk and milk products, Number 02-09.

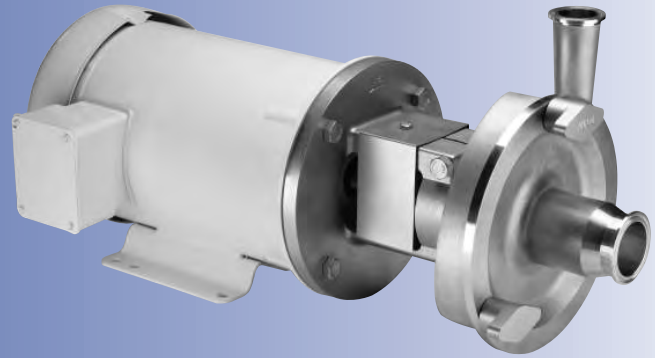
LD-Series pumps have a standard 32RA (150 grit) finish, on all product contact surfaces.

**Ampco  
 Pumps  
 Company**

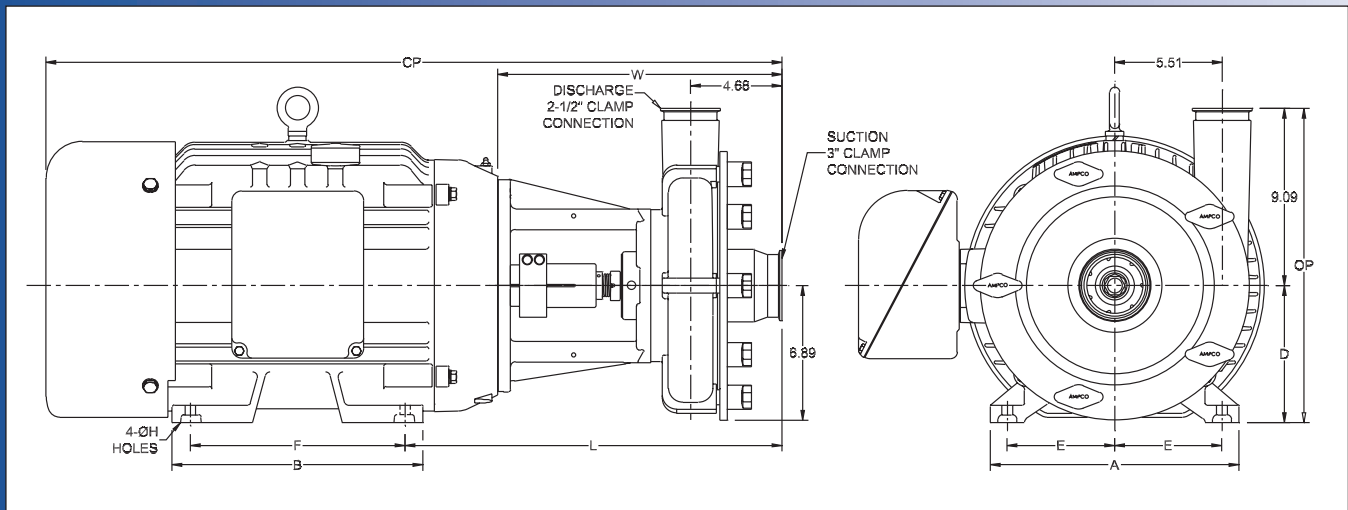
4424 West Mitchell Street  
 Milwaukee, Wisconsin 53214  
 PHONE (414) 643-1852  
 FAX (414) 643-4452

# Ampco Centrifugal Pumps

## DATA SHEET



MODEL LD-V551 3X2<sup>1</sup>/<sub>2</sub>  
MODEL LD-V552 3X2<sup>1</sup>/<sub>2</sub>



| TEFC MOTOR |      |        | DIMENSIONS IN INCHES (For Reference Only) |         |       |       |        |       |       |       |       |       | APPROX<br>WEIGHT<br>(LBS) |
|------------|------|--------|---|---------|-------|-------|--------|-------|-------|-------|-------|-------|---------------------------|
| HP         | RPM  | FRAME  | A (typ)                                   | B (typ) | D     | E     | F      | ØH    | L     | W     | CP    | OP    |                           |
| 5          | 1750 | 184TC  | 8-5/8                                     | 6-1/2   | 4-1/2 | 3-3/4 | 5-1/2  | 13/32 | 18.08 | 14.58 | 30.07 | 13.59 | 199                       |
| 7-1/2      | 1750 | 213TC  | 9-1/2                                     | 8       | 5-1/4 | 4-1/4 | 5-1/2  | 13/32 | 18.83 | 14.58 | 31.65 | 14.34 | 249                       |
| 10         | 1750 | 215TC  | 9-1/2                                     | 8       | 5-1/4 | 4-1/4 | 7      | 13/32 | 18.83 | 14.58 | 32.78 | 15.17 | 259                       |
| 15         | 1750 | 254TC  | 11-1/2                                    | 11-1/2  | 6-1/4 | 5     | 8-1/4  | 17/32 | 19.33 | 14.58 | 33.96 | 15.34 | 371                       |
| 20         | 1750 | 256TC  | 11-1/2                                    | 11-1/2  | 6-1/4 | 5     | 10     | 17/32 | 19.33 | 14.58 | 36.05 | 15.34 | 394                       |
| 25         | 3500 | 284TSC | 12-3/4                                    | 12-3/4  | 7     | 5-1/2 | 9-1/2  | 17/32 | 19.33 | 14.58 | 37.71 | 16.09 | 483                       |
| 30         | 3500 | 286TSC | 12-3/4                                    | 12-3/4  | 7     | 5-1/2 | 11     | 17/32 | 19.33 | 14.58 | 37.71 | 16.09 | 505                       |
| 40         | 3500 | 324TSC | 14-1/2                                    | 14      | 8     | 6-1/4 | 10-1/2 | 21/32 | 20.46 | 15.21 | 40.21 | 17.09 | 619                       |
| 50         | 3500 | 326TSC | 14-1/2                                    | 14      | 8     | 6-1/4 | 12     | 21/32 | 20.46 | 15.21 | 40.21 | 17.09 | 728                       |

## MATERIAL SPECIFICATIONS

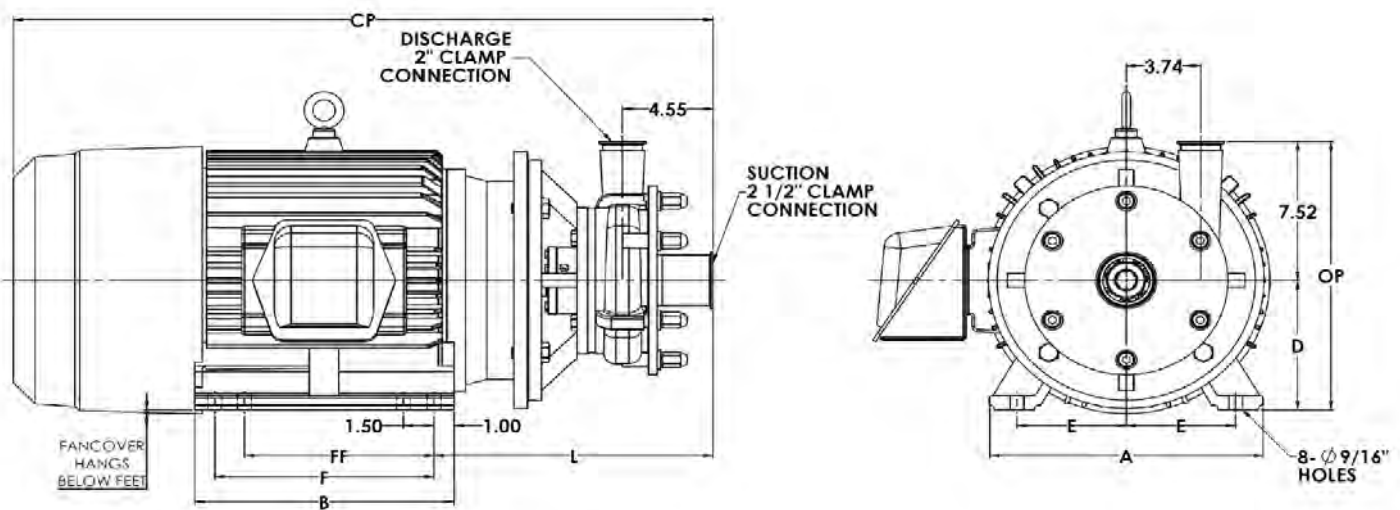
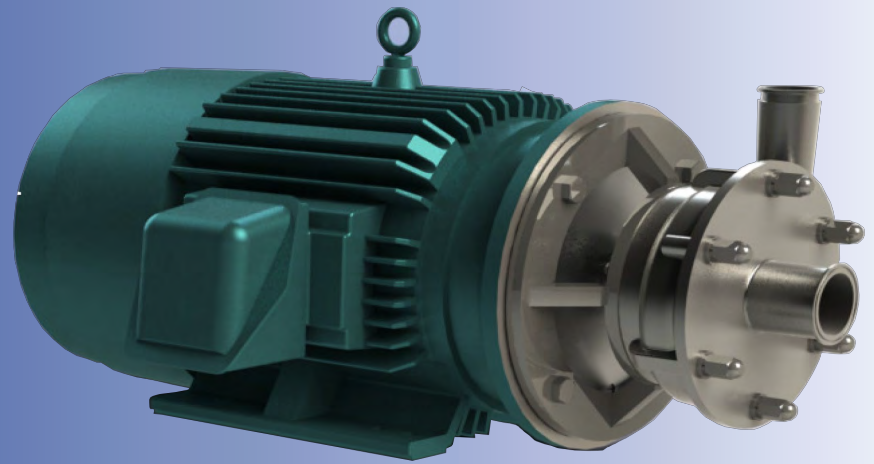
| PART NAME                | STAINLESS STEEL |
|--------------------------|-----------------|
| Casing, Cover & Impeller | 316L Stainless  |
| Stub Shaft               | 316L Stainless  |
| Adapter                  | 304 Stainless   |



# Ampco Centrifugal Pumps

## DATA SHEET

MODEL LH-V532 2½ X 2



| TEFC MOTOR |      |       | DIMENSIONS IN INCHES<br>MILLIMETERS (For Reference Only) |         |     |       |       |     |      |       |       |       | APPROX WEIGHT |
|------------|------|-------|--|---------|-----|-------|-------|-----|------|-------|-------|-------|---------------|
| HP         | RPM  | FRAME | A (typ)  | B (typ) | D   | E     | FF    | F   | ØH   | L     | CP    | OP    | LBS<br>Kg     |
| 15         | 3500 | 284JM | 13 3/4   | 13      | 7   | 5 1/2 | 9 1/2 | 11  | 9/16 | 14.19 | 35.31 | 14.51 | 542           |
|            |      |       | 349  | 330     | 178 | 140   | 241   | 279 | 14   | 360   | 897   | 369   | 246           |
| 20         | 3500 | 284JM | 13 3/4   | 13      | 7   | 5 1/2 | 9 1/2 | 11  | 9/16 | 14.19 | 35.31 | 14.51 | 542           |
|            |      |       | 349  | 330     | 178 | 140   | 241   | 279 | 14   | 360   | 897   | 369   | 246           |
| 25         | 3500 | 284JM | 13 3/4   | 13      | 7   | 5 1/2 | 9 1/2 | 11  | 9/16 | 14.19 | 35.31 | 14.51 | 542           |
|            |      |       | 349  | 330     | 178 | 140   | 241   | 279 | 14   | 360   | 897   | 369   | 246           |

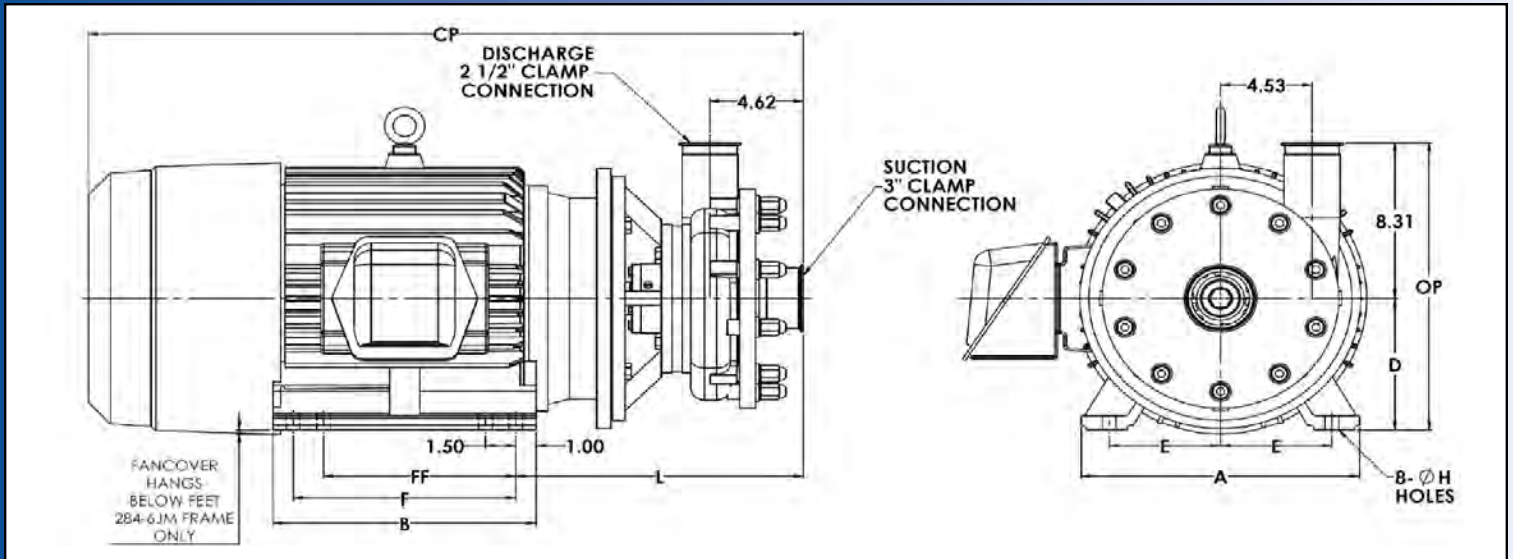
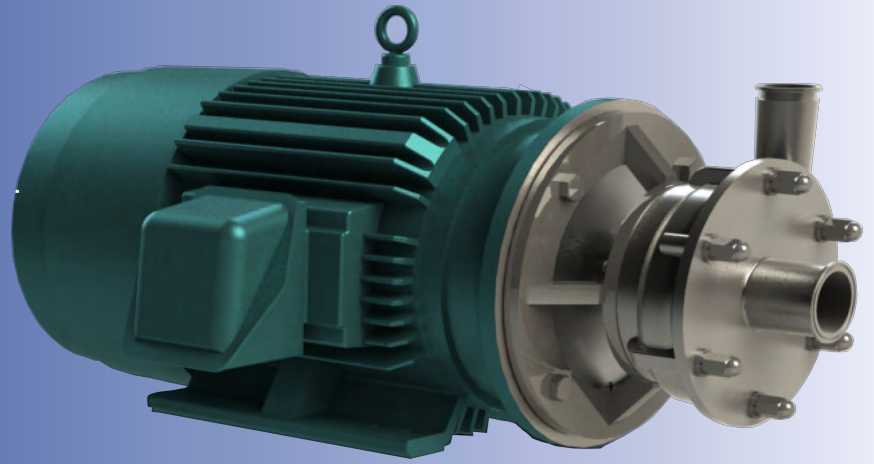
## MATERIAL SPECIFICATIONS

| PART NAME                | STAINLESS STEEL |
|--------------------------|-----------------|
| Casing, Cover & Impeller | 316L Stainless  |
| Shaft Sleeve             | 316L Stainless  |
| Adapter                  | 304 Stainless   |

# Ampco Centrifugal Pumps

## DATA SHEET

MODEL LH-V542 3 x 2½



| TEFC MOTOR |      |       | DIMENSIONS IN INCHES<br>MILLIMETERS (For Reference Only) |         |     |       |        |     |       |       |       |       | APPROX WEIGHT |
|------------|------|-------|--|---------|-----|-------|--------|-----|-------|-------|-------|-------|---------------|
| HP         | RPM  | FRAME | A (typ)  | B (typ) | D   | E     | FF     | F   | ØH    | L     | CP    | OP    | LBS<br>Kg     |
| 15         | 3500 | 284JM | 13 3/4   | 13      | 7   | 5 1/2 | 9 1/2  | 11  | 9/16  | 15.69 | 36.81 | 15.30 | 565           |
|            |      |       | 349  | 330     | 178 | 140   | 241    | 279 | 14    | 398   | 935   | 389   | 257           |
| 20         | 3500 | 284JM | 13 3/4   | 13      | 7   | 5 1/2 | 9 1/2  | 11  | 9/16  | 15.69 | 36.81 | 15.30 | 565           |
|            |      |       | 349  | 330     | 178 | 140   | 241    | 279 | 14    | 398   | 935   | 389   | 257           |
| 25         | 3500 | 284JM | 13 3/4   | 13      | 7   | 5 1/2 | 9 1/2  | 11  | 9/16  | 15.69 | 36.81 | 15.30 | 565           |
|            |      |       | 349  | 330     | 178 | 140   | 241    | 279 | 14    | 398   | 935   | 389   | 257           |
| 30         | 3500 | 286JM | 13 3/4   | 13      | 7   | 5 1/2 | 9 1/2  | 11  | 9/16  | 15.69 | 36.81 | 15.30 | 580           |
|            |      |       | 349  | 330     | 178 | 140   | 241    | 279 | 14    | 398   | 935   | 389   | 264           |
| 40         | 3500 | 324JM | 15 1/2   | 14 3/4  | 8   | 6 1/4 | 10 1/2 | 12  | 11/16 | 14.70 | 34.64 | 16.31 | 645           |
|            |      |       | 394  | 375     | 203 | 159   | 267    | 305 | 17    | 373   | 880   | 414   | 293           |
| 50         | 3500 | 326JM | 15 1/2   | 14 3/4  | 8   | 6 1/4 | 10 1/2 | 12  | 11/16 | 14.70 | 34.64 | 16.31 | 685           |
|            |      |       | 394  | 375     | 203 | 159   | 267    | 305 | 17    | 373   | 880   | 414   | 311           |

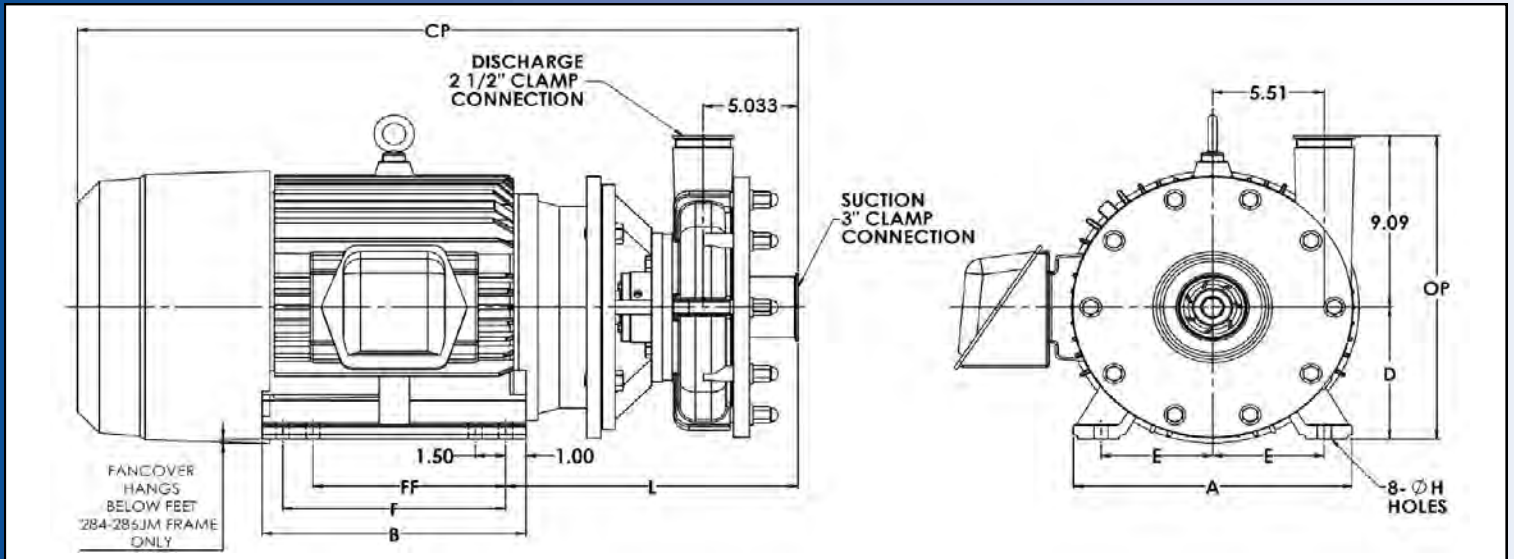
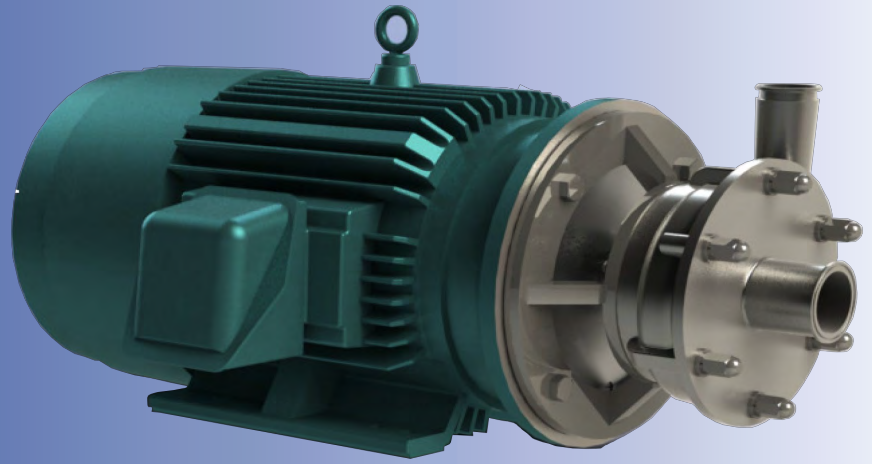
### MATERIAL SPECIFICATIONS

| PART NAME                | STAINLESS STEEL |
|--------------------------|-----------------|
| Casing, Cover & Impeller | 316L Stainless  |
| Shaft Sleeve             | 316L Stainless  |
| Adapter                  | 304 Stainless   |

# Ampco Centrifugal Pumps

## DATA SHEET

MODEL LH-V552 3 x 2½



| TEFC MOTOR |      |       | DIMENSIONS IN INCHES<br>MILLIMETERS (For Reference Only) |         |     |       |        |        |       |       |       |       | APPROX WEIGHT |
|------------|------|-------|--|---------|-----|-------|--------|--------|-------|-------|-------|-------|---------------|
| HP         | RPM  | FRAME | A (typ)  | B (typ) | D   | E     | FF     | F      | ØH    | L     | CP    | OP    | LBS<br>Kg     |
| 25         | 3500 | 284JM | 13-3/4   | 13      | 7   | 5-1/2 | 9-1/2  | 11     | 9/16  | 14.54 | 35.66 | 16.08 | 604           |
|            |      |       | 349  | 330     | 178 | 140   | 241    | 279    | 14    | 369   | 906   | 408   | 275           |
| 30         | 3500 | 286JM | 13-3/4   | 13      | 7   | 5-1/2 | 9-1/2  | 11     | 9/16  | 14.54 | 35.66 | 16.08 | 619           |
|            |      |       | 349  | 330     | 178 | 140   | 241    | 279    | 14    | 369   | 906   | 408   | 275           |
| 40         | 3500 | 324JM | 15-1/2   | 14-3/4  | 8   | 6-1/4 | 10-1/2 | 12     | 11/16 | 15.27 | 35.21 | 17.09 | 684           |
|            |      |       | 394  | 375     | 203 | 159   | 267    | 305    | 17    | 388   | 894   | 434   | 311           |
| 50         | 3500 | 326JM | 15-1/2   | 14-3/4  | 8   | 6-1/4 | 10-1/2 | 12     | 11/16 | 15.27 | 35.21 | 17.09 | 724           |
|            |      |       | 394  | 375     | 203 | 159   | 267    | 305    | 17    | 388   | 894   | 434   | 329           |
| 60         | 3500 | 364JM | 17   | 15      | 9   | 7     | 11-1/4 | 12-1/4 | 11/16 | 15.89 | 37.59 | 18.09 | 1009          |
|            |      |       | 432  | 381     | 229 | 178   | 286    | 311    | 17    | 404   | 955   | 459   | 459           |
| 75         | 3500 | 365JM | 17   | 15      | 9   | 7     | 11-1/4 | 12-1/4 | 11/16 | 15.89 | 37.59 | 18.09 | 1034          |
|            |      |       | 432  | 381     | 229 | 178   | 286    | 311    | 17    | 404   | 955   | 459   | 470           |

## MATERIAL SPECIFICATIONS

| PART NAME                | STAINLESS STEEL |
|--------------------------|-----------------|
| Casing, Cover & Impeller | 316L Stainless  |
| Shaft Sleeve             | 316L Stainless  |
| Adapter                  | 304 Stainless   |

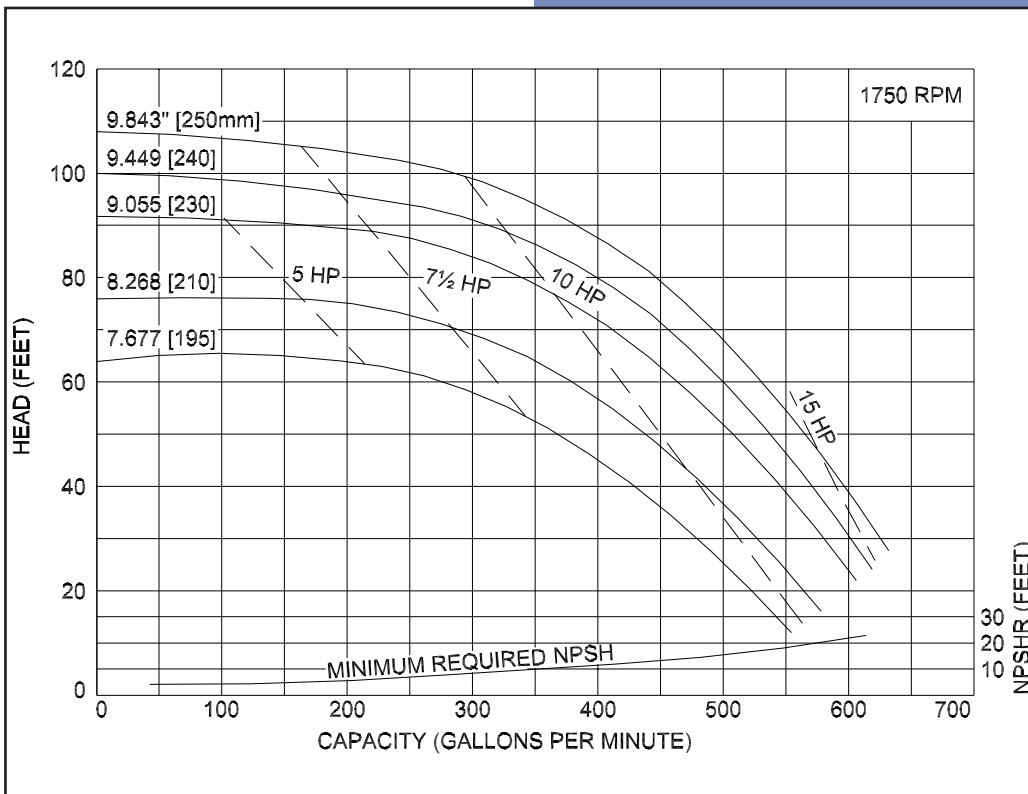
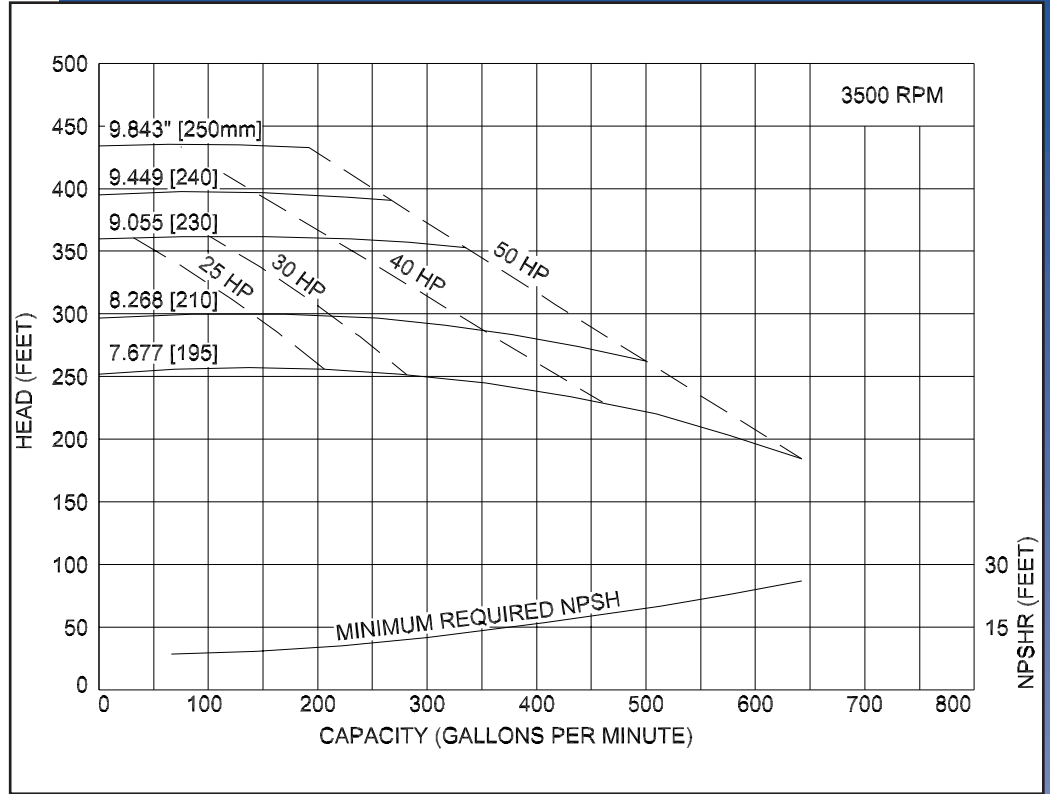


# Ampco Centrifugal Pumps

MODEL LD-V551 3X2½  
 MODEL LD-V552 3X2½

Curves show approximate characteristics based on clear 68° water. Rated point is guaranteed.

LD-Series pumps have standard stainless steel adapters and silicon carbide vs. carbon internal seals and carbon vs. ceramic external seals.



LD pumps are in conformance with 3A sanitary standards for centrifugal and positive rotary pumps for milk and milk products, Number 02-09.

LD-Series pumps have a standard 32RA (150 grit) finish, on all product contact surfaces.

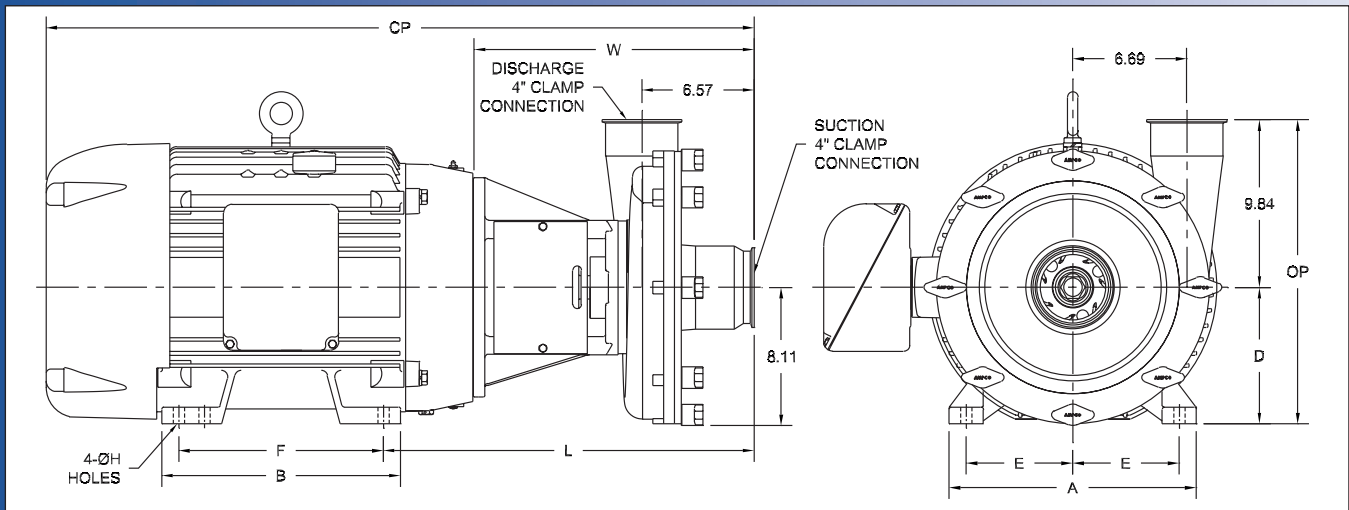
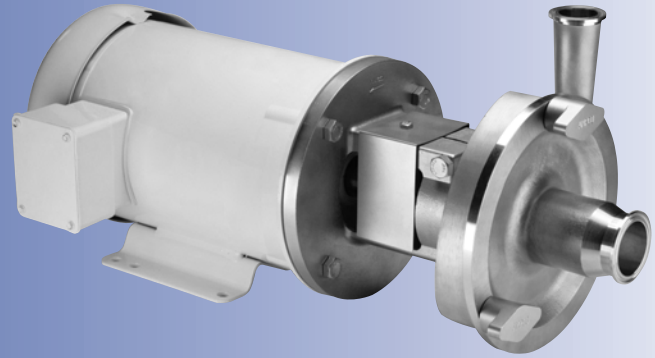
**Ampco  
 Pumps  
 Company**

4424 West Mitchell Street  
 Milwaukee, Wisconsin 53214  
 PHONE (414) 643-1852  
 FAX (414) 643-4452

# Ampco Centrifugal Pumps

DATA SHEET

MODEL LD-X051 4X4



| TEFC MOTOR |      |       | DIMENSIONS IN INCHES (For Reference Only) |         |       |       |       |       |       |       |       |       | APPROX<br>WEIGHT<br>(LBS) |
|------------|------|-------|---|---------|-------|-------|-------|-------|-------|-------|-------|-------|---------------------------|
| HP         | RPM  | FRAME | A (typ)                                   | B (typ) | D     | E     | F     | ØH    | L     | W     | CP    | OP    |                           |
| 7-1/2      | 1750 | 213TC | 9-1/2                                     | 8       | 5-1/4 | 4-1/4 | 5-1/2 | 13/32 | 20.09 | 15.84 | 31.10 | 15.09 | 300                       |
| 10         | 1750 | 215TC | 9-1/2                                     | 8       | 5-1/4 | 4-1/4 | 7     | 13/32 | 20.09 | 15.84 | 32.23 | 15.09 | 310                       |
| 15         | 1750 | 254TC | 11-1/2                                    | 11-1/2  | 6-1/4 | 5     | 8-1/4 | 17/32 | 20.59 | 15.84 | 33.41 | 16.09 | 424                       |
| 20         | 1750 | 256TC | 11-1/2                                    | 11-1/2  | 6-1/4 | 5     | 10    | 17/32 | 20.59 | 15.84 | 35.50 | 16.09 | 445                       |
| 25         | 1750 | 284TC | 12-3/4                                    | 12-3/4  | 7     | 5-1/2 | 9-1/2 | 17/32 | 20.59 | 15.84 | 37.18 | 16.84 | 578                       |

## MATERIAL SPECIFICATIONS

| PART NAME                | STAINLESS STEEL |
|--------------------------|-----------------|
| Casing, Cover & Impeller | 316L Stainless  |
| Stub Shaft               | 316L Stainless  |
| Adapter                  | 304 Stainless   |

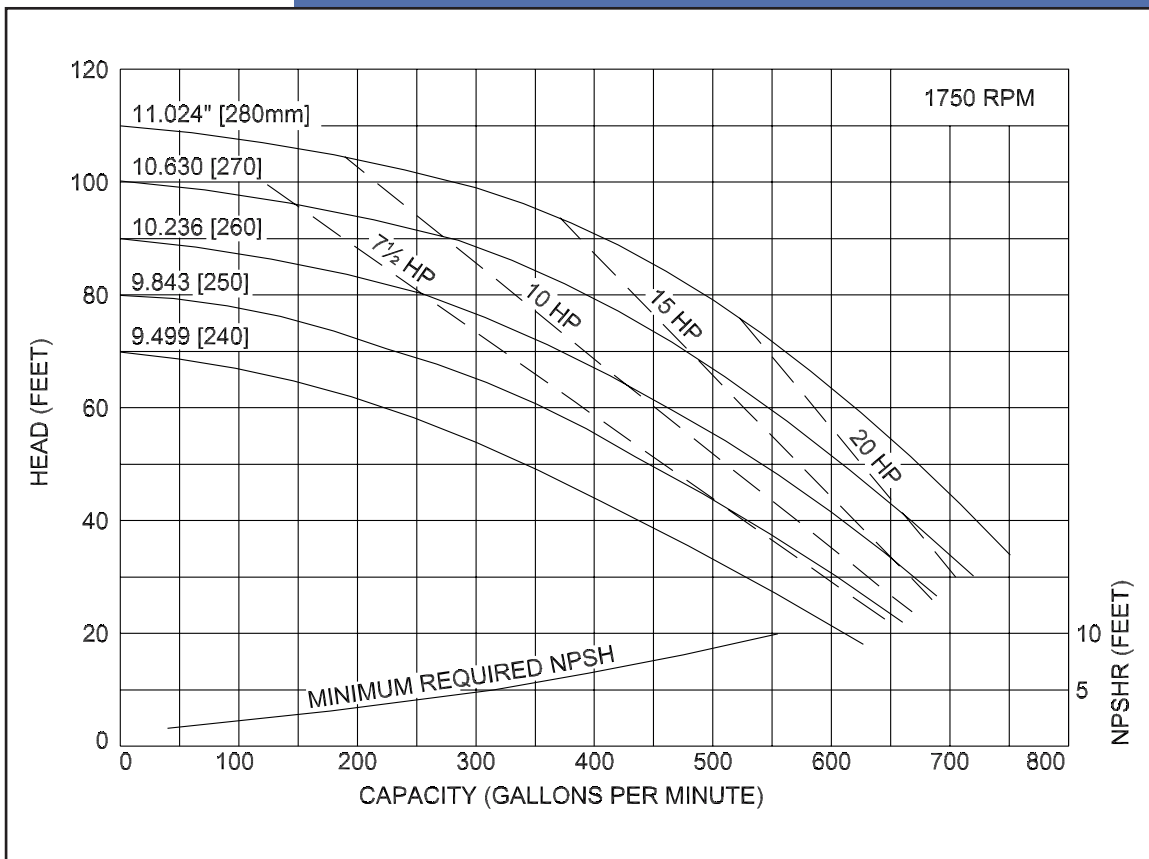


# Ampco Centrifugal Pumps

MODEL LD-X051 4X4

Curves show approximate characteristics based on clear 68° water.  
Rated point is guaranteed.

LD-Series pumps have standard stainless steel adapters and silicon carbide vs. carbon seals.



LD pumps are in conformance with 3A sanitary standards for centrifugal and positive rotary pumps for milk and milk products, Number 02-10.

LD-Series pumps have a standard 32RA (150 grit) finish, on all product contact surfaces.

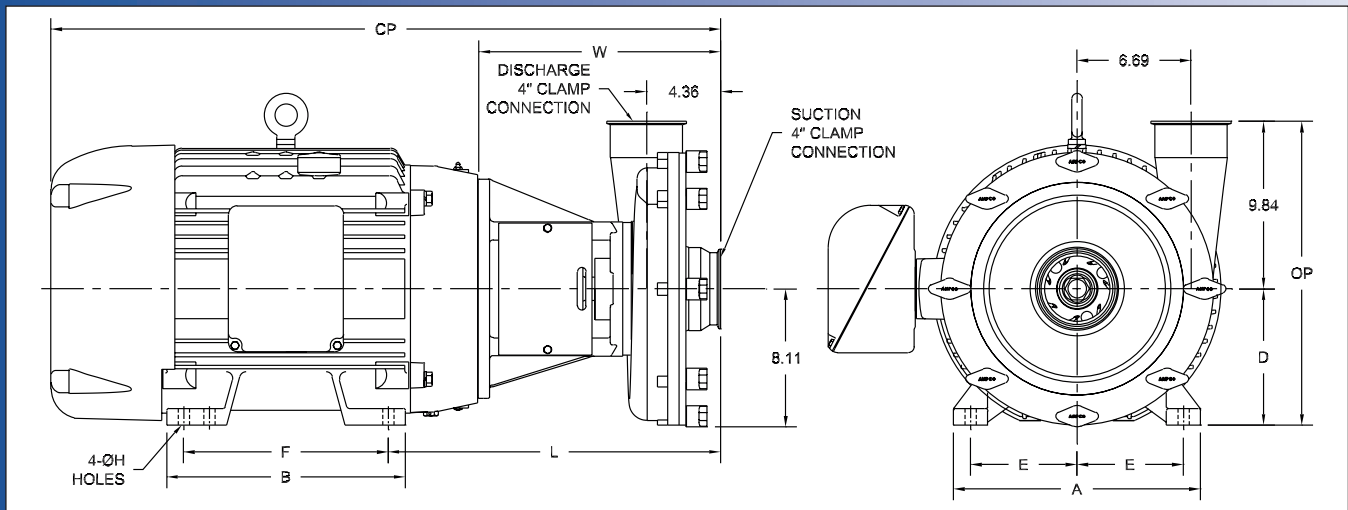
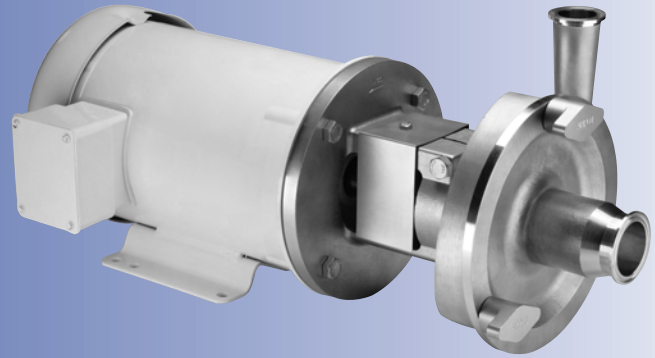
## Ampco Pumps Company

Milwaukee, Wisconsin - PHONE (414) 643-1852 - FAX (414) 643-4452

# Ampco Centrifugal Pumps

DATA SHEET

MODEL LD-X151 4X4



| TEFC MOTOR |      |       | DIMENSIONS IN INCHES (For Reference Only) |         |       |       |        |       |       |       |       |       | APPROX<br>WEIGHT<br>(LBS) |
|------------|------|-------|---|---------|-------|-------|--------|-------|-------|-------|-------|-------|---------------------------|
| HP         | RPM  | FRAME | A (typ)                                   | B (typ) | D     | E     | F      | ØH    | L     | W     | CP    | OP    |                           |
| 10         | 1750 | 215TC | 9-1/2                                     | 8       | 5-1/4 | 4-1/4 | 7      | 11/32 | 17.87 | 13.62 | 30.01 | 15.09 | 310                       |
| 15         | 1750 | 254TC | 11-1/2                                    | 11-1/2  | 6-1/4 | 5     | 8-1/4  | 11/32 | 18.37 | 13.62 | 31.19 | 16.09 | 424                       |
| 20         | 1750 | 256TC | 11-1/2                                    | 11-1/2  | 6-1/4 | 5     | 10     | 13/32 | 18.37 | 13.62 | 33.28 | 16.09 | 445                       |
| 25         | 1750 | 284TC | 12-3/4                                    | 12-3/4  | 7     | 5-1/2 | 9-1/2  | 17/32 | 18.37 | 13.62 | 34.96 | 16.84 | 578                       |
| 30         | 1750 | 286TC | 12-3/4                                    | 12-3/4  | 7     | 5-1/2 | 11     | 17/32 | 18.37 | 13.62 | 34.96 | 16.84 | 589                       |
| 40         | 1750 | 324TC | 14-1/2                                    | 14      | 8     | 6-1/4 | 10-1/2 | 21/32 | 19.50 | 14.25 | 39.39 | 17.84 | 778                       |

## MATERIAL SPECIFICATIONS

| PART NAME                | STAINLESS STEEL |
|--------------------------|-----------------|
| Casing, Cover & Impeller | 316L Stainless  |
| Stub Shaft               | 316L Stainless  |
| Adapter                  | 304 Stainless   |

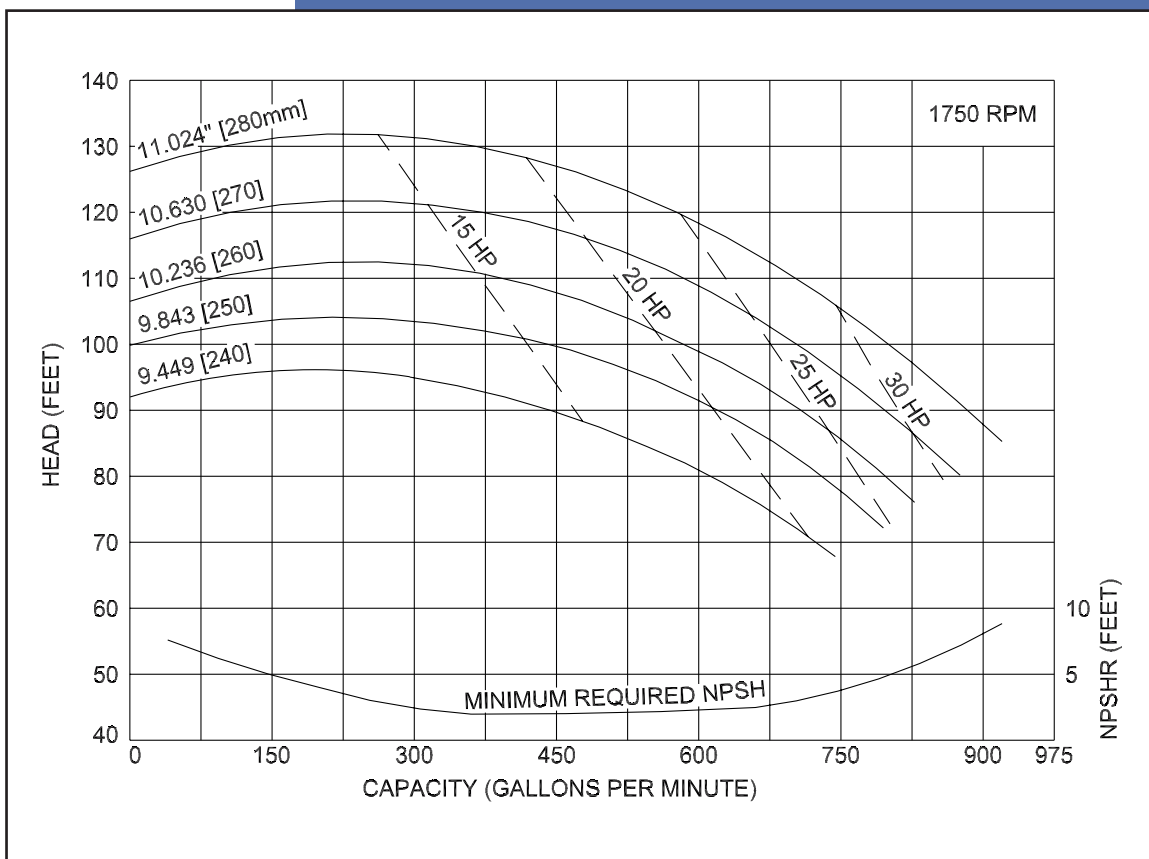


# Ampco Centrifugal Pumps

MODEL LD-X151 4X4

Curves show approximate characteristics based on clear 68° water.  
Rated point is guaranteed.

LD-Series pumps have standard stainless steel adapters and silicon carbide vs. carbon seals.



LD pumps are in conformance with 3A sanitary standards for centrifugal and positive rotary pumps for milk and milk products, Number 02-10.

LD-Series pumps have a standard 32RA (150 grit) finish, on all product contact surfaces.

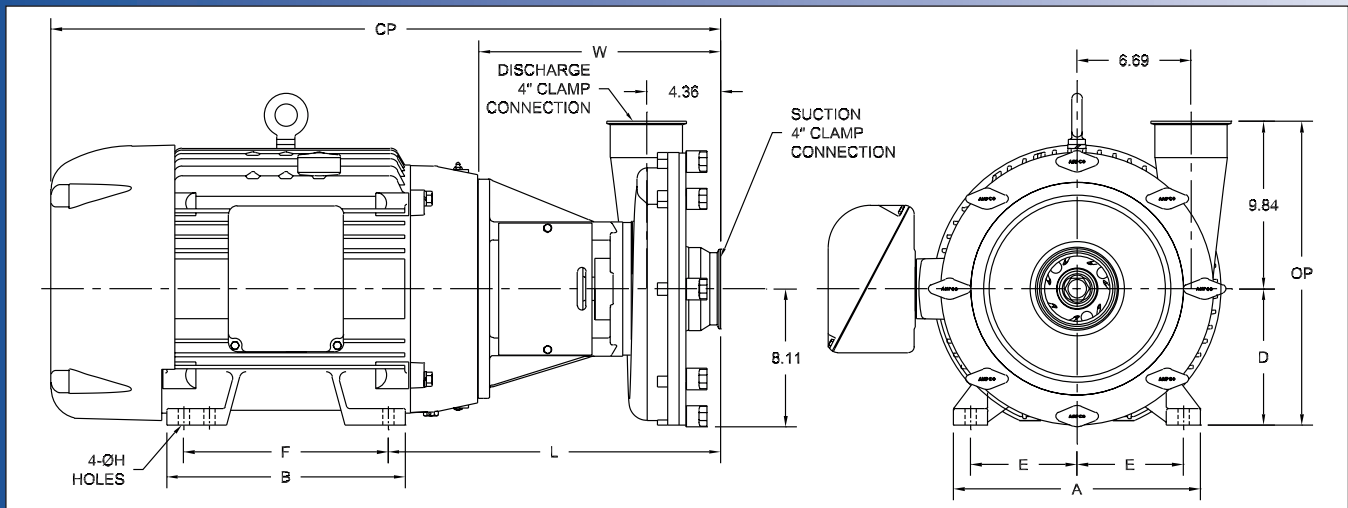
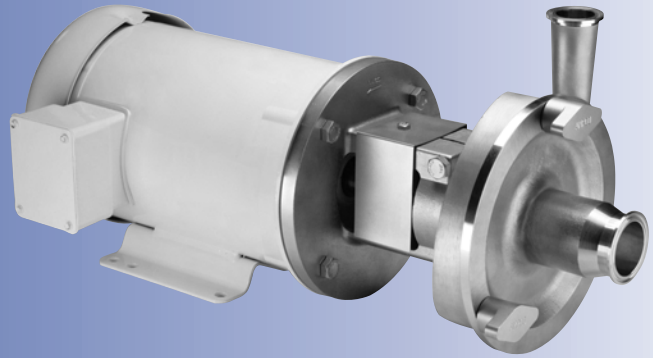
## Ampco Pumps Company

Milwaukee, Wisconsin - PHONE (414) 643-1852 - FAX (414) 643-4452

# Ampco Centrifugal Pumps

DATA SHEET

MODEL LD-X161 4X4



| TEFC MOTOR |      |       | DIMENSIONS IN INCHES (For Reference Only) |         |       |       |        |       |       |       |       |       | APPROX<br>WEIGHT<br>(LBS) |
|------------|------|-------|---|---------|-------|-------|--------|-------|-------|-------|-------|-------|---------------------------|
| HP         | RPM  | FRAME | A (typ)                                   | B (typ) | D     | E     | F      | ØH    | L     | W     | CP    | OP    |                           |
| 15         | 1750 | 254TC | 11-1/2                                    | 11-1/2  | 6-1/4 | 5     | 8-1/4  | 11/32 | 18.37 | 13.62 | 31.19 | 16.09 | 426                       |
| 20         | 1750 | 256TC | 11-1/2                                    | 11-1/2  | 6-1/4 | 5     | 10     | 13/32 | 18.37 | 13.62 | 33.28 | 16.09 | 447                       |
| 25         | 1750 | 284TC | 12-3/4                                    | 12-3/4  | 7     | 5-1/2 | 9-1/2  | 17/32 | 18.37 | 13.62 | 34.96 | 16.84 | 580                       |
| 30         | 1750 | 286TC | 12-3/4                                    | 12-3/4  | 7     | 5-1/2 | 11     | 17/32 | 18.37 | 13.62 | 34.96 | 16.84 | 591                       |
| 40         | 1750 | 324TC | 14-1/2                                    | 14      | 8     | 6-1/4 | 10-1/2 | 21/32 | 19.50 | 14.25 | 39.39 | 17.84 | 780                       |
| 50         | 1750 | 326TC | 14-1/2                                    | 14      | 8     | 6-1/4 | 12     | 21/32 | 19.50 | 14.25 | 39.39 | 17.84 | 765                       |

## MATERIAL SPECIFICATIONS

| PART NAME                | STAINLESS STEEL |
|--------------------------|-----------------|
| Casing, Cover & Impeller | 316L Stainless  |
| Stub Shaft               | 316L Stainless  |
| Adapter                  | 304 Stainless   |

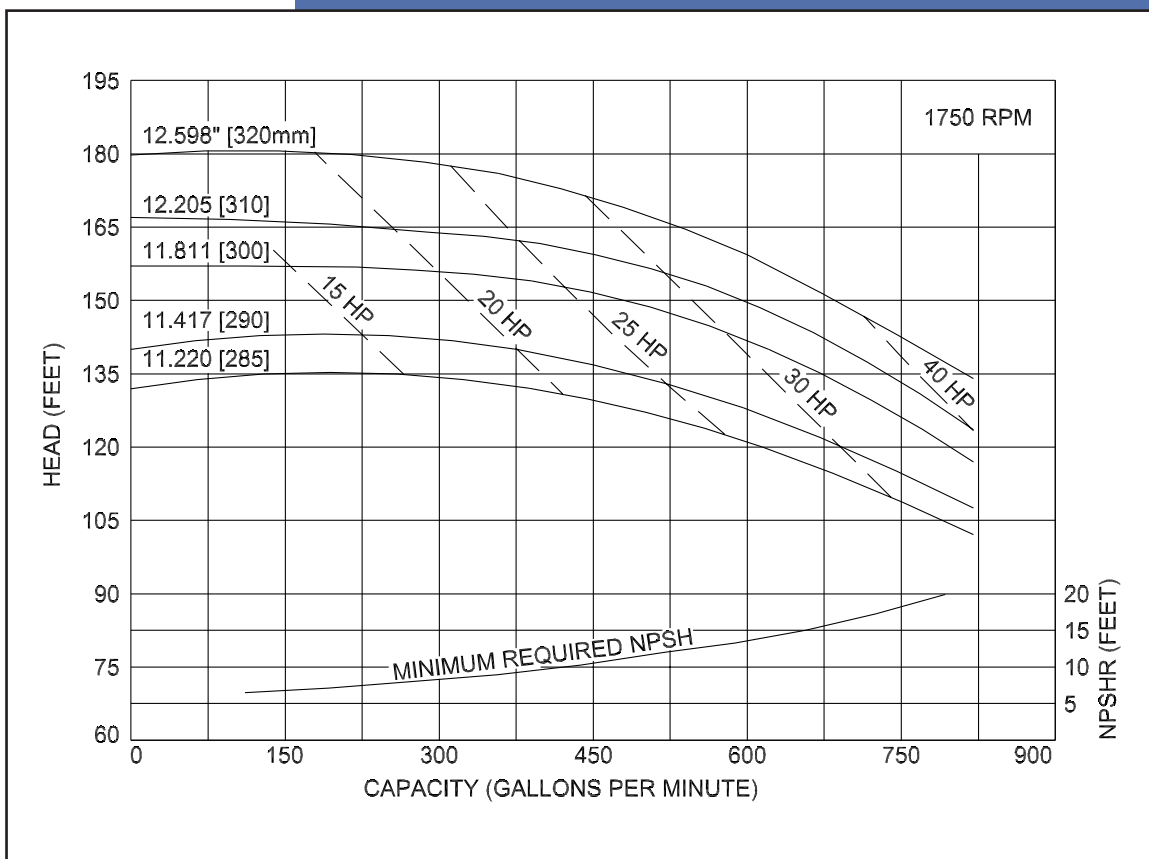


# Ampco Centrifugal Pumps

MODEL LD-X161 4X4

Curves show approximate characteristics based on clear 68° water.  
Rated point is guaranteed.

LD-Series pumps have standard stainless steel adapters and silicon carbide vs. carbon seals.



LD pumps are in conformance with 3A sanitary standards for centrifugal and positive rotary pumps for milk and milk products, Number 02-10.

LD-Series pumps have a standard 32RA (150 grit) finish, on all product contact surfaces.

## Ampco Pumps Company

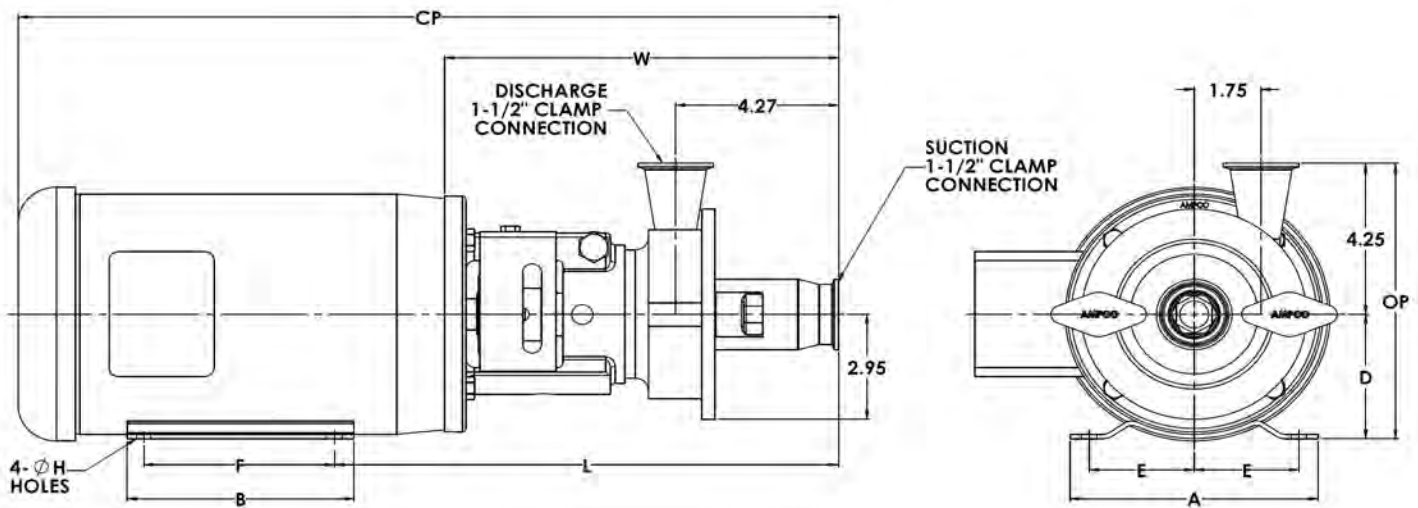
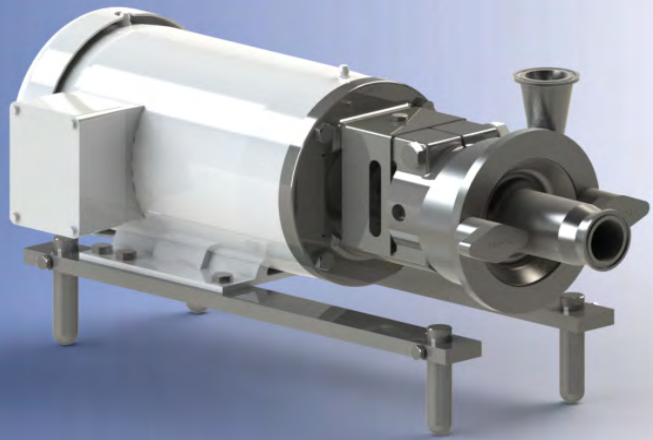
Milwaukee, Wisconsin - PHONE (414) 643-1852 - FAX (414) 643-4452

# Ampco Centrifugal Pumps

## DATA SHEET

MODEL LF-R01 1½ x 1½

MODEL LF-R02 1½ x 1½



| TEFC MOTOR |      |       | DIMENSIONS IN INCHES<br>MILLIMETERS (For Reference Only) |         |       |       |     |       |       |       |       |      | APPROX WEIGHT |
|------------|------|-------|--|---------|-------|-------|-----|-------|-------|-------|-------|------|---------------|
| HP         | RPM  | FRAME | A (typ)  | B (typ) | D     | E     | F   | ØH    | L     | W     | CP    | OP   | LBS<br>Kg     |
| 1 HP       | 1750 | 143TC | 6 1/2  | 6       | 3 1/2 | 2 3/4 | 4   | 11/32 | 13.21 | 10.33 | 21.50 | 7.75 | 65            |
|            |      |       | 165  | 152     | 89    | 70    | 102 | 9     | 335   | 262   | 546   | 197  | 30            |
| 1½ HP      | 3500 | 143TC | 6 1/2  | 6       | 3 1/2 | 2 3/4 | 4   | 11/32 | 13.21 | 10.33 | 21.50 | 7.75 | 66            |
|            |      |       | 165  | 152     | 89    | 70    | 102 | 9     | 335   | 262   | 546   | 197  | 30            |
| 2 HP       | 3500 | 145TC | 6 1/2  | 6       | 3 1/2 | 2 3/4 | 5   | 11/32 | 13.21 | 10.33 | 21.50 | 7.75 | 73            |
|            |      |       | 165  | 152     | 89    | 70    | 127 | 9     | 335   | 262   | 546   | 197  | 33            |

### MATERIAL SPECIFICATIONS

| PART NAME                | STAINLESS STEEL |
|--------------------------|-----------------|
| Casing, Cover & Impeller | 316L Stainless  |
| Stub Shaft               | 316L Stainless  |
| Adapter                  | 304 Stainless   |



## PUMP CURVES

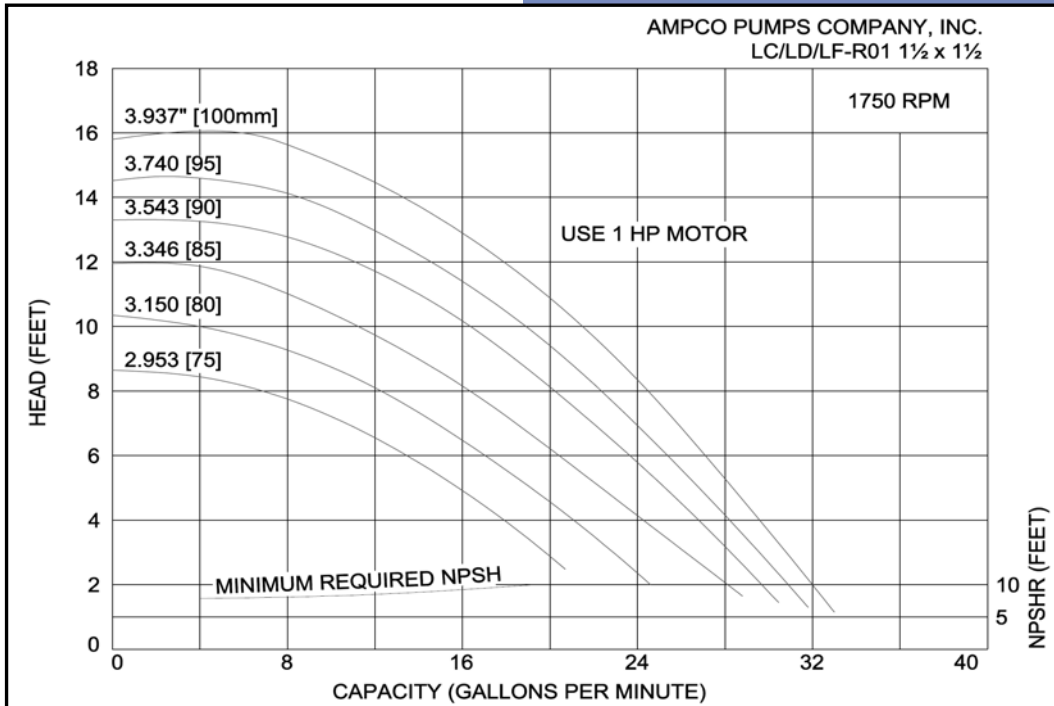
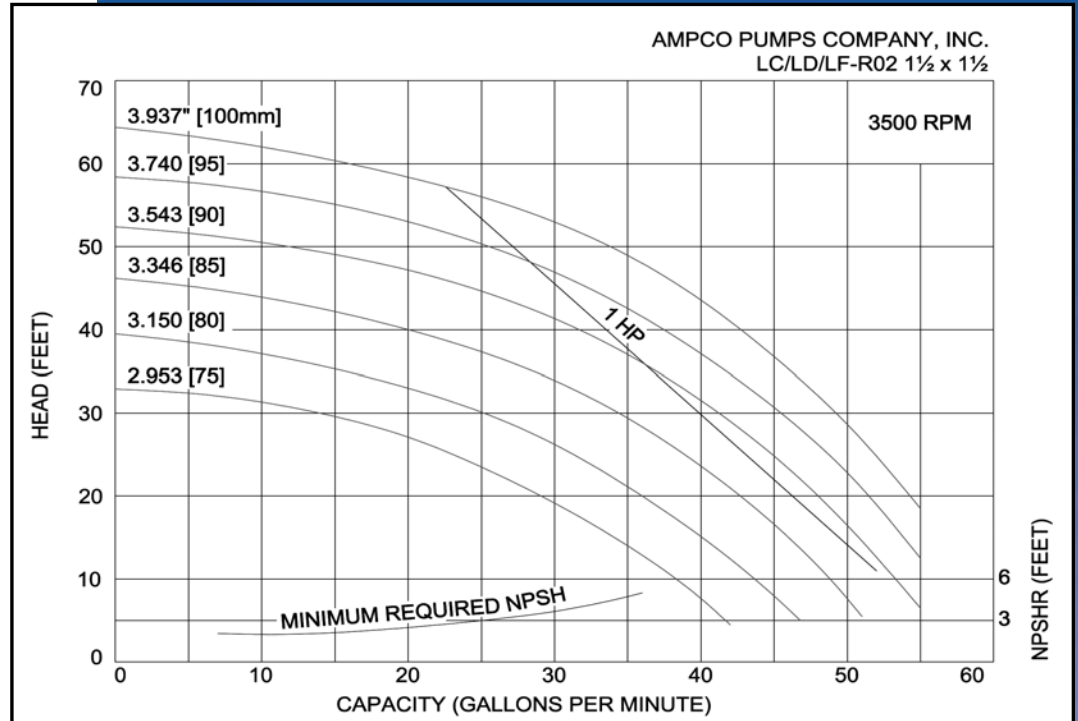
MODEL LF-R01 1½ x 1½

MODEL LF-R02 1½ x 1½

Curves show approximate characteristics based on clear 68° F water.  
Rated point is guaranteed

LF-Series pumps have standard stainless steel adapters and silicon carbide vs. carbon seals.

# Ampco Centrifugal Pumps



LF pumps are in conformance with 3A sanitary standards for centrifugal and positive rotary pumps for milk and milk products, Number 02-10.

LF-Series pumps have a standard 32RA (150 grit) finish, on all product contact surfaces.

## Ampco Pumps Company

2045 West Mill Road  
Glendale, Wisconsin 53209  
PHONE (414) 643-1852  
FAX (414) 643-4452

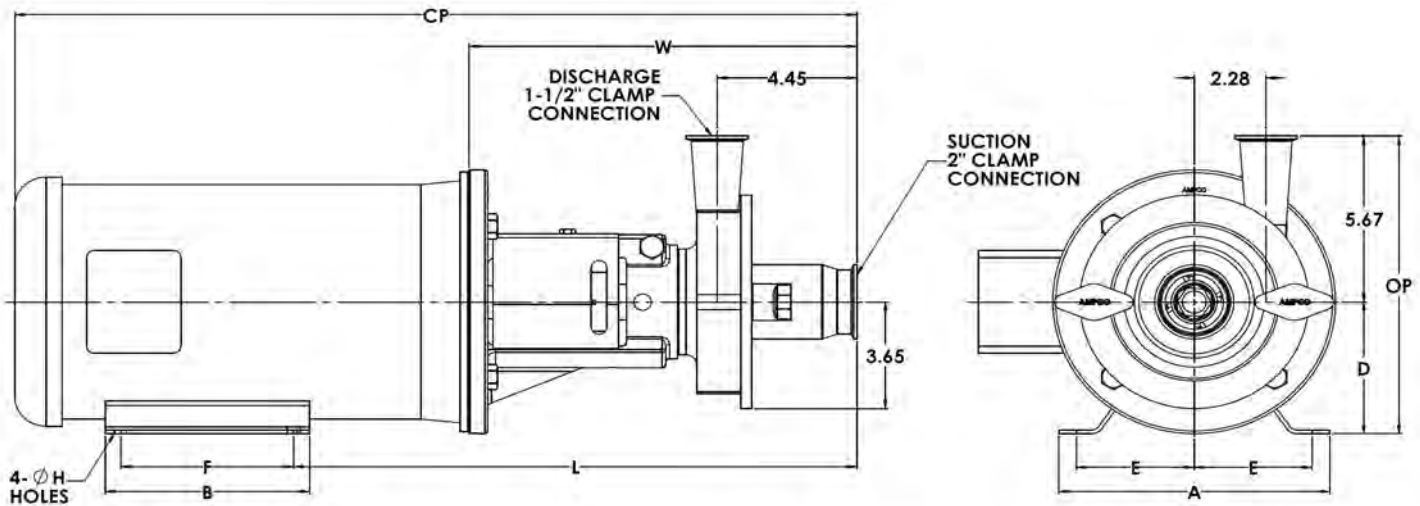
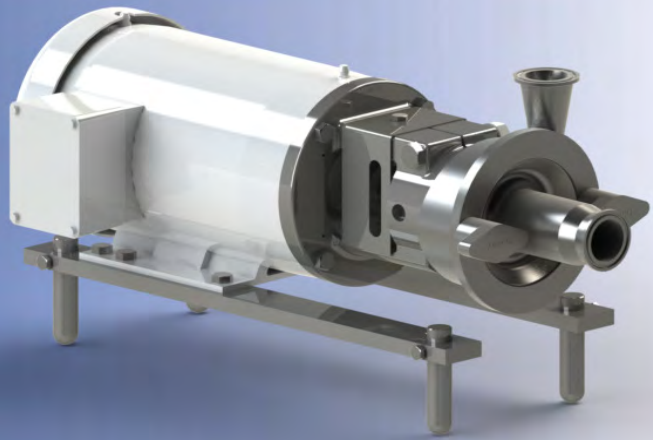
LF-R01/R02 1.5X1.5 01/11

# Ampco Centrifugal Pumps

## DATA SHEET

MODEL LF-R11 2 x 1½

MODEL LF-R12 2 x 1½



| TEFC MOTOR |      |       | DIMENSIONS IN INCHES<br>MILLIMETERS (For Reference Only) |         |       |       |       |       |       |       |       |       | APPROX WEIGHT |
|------------|------|-------|--|---------|-------|-------|-------|-------|-------|-------|-------|-------|---------------|
| HP         | RPM  | FRAME | A (typ)  | B (typ) | D     | E     | F     | ØH    | L     | W     | CP    | OP    | LBS<br>Kg     |
| 1 HP       | 1750 | 143TC | 6 1/2  | 6       | 3 1/2 | 2 3/4 | 4     | 11/32 | 13.32 | 10.44 | 21.61 | 9.17  | 70            |
|            |      |       | 165  | 152     | 89    | 70    | 102   | 9     | 338   | 265   | 549   | 233   | 32            |
| 2 HP       | 3500 | 145TC | 6 1/2  | 6       | 3 1/2 | 2 3/4 | 5     | 11/32 | 13.32 | 10.44 | 21.61 | 9.17  | 78            |
|            |      |       | 165  | 152     | 89    | 70    | 127   | 9     | 338   | 265   | 549   | 233   | 35            |
| 3 HP       | 3500 | 182TC | 8 5/8  | 6 1/2   | 4 1/2 | 3 3/4 | 4 1/2 | 13/32 | 15.76 | 12.35 | 26.10 | 10.17 | 97            |
|            |      |       | 219  | 165     | 114   | 95    | 114   | 10    | 400   | 314   | 663   | 258   | 44            |
| 5 HP       | 3500 | 184TC | 8 5/8  | 6 1/2   | 4 1/2 | 3 3/4 | 5 1/2 | 13/32 | 15.76 | 12.35 | 26.10 | 10.17 | 111           |
|            |      |       | 219  | 165     | 114   | 95    | 140   | 10    | 400   | 314   | 663   | 258   | 50            |

### MATERIAL SPECIFICATIONS

| PART NAME                | STAINLESS STEEL |
|--------------------------|-----------------|
| Casing, Cover & Impeller | 316L Stainless  |
| Stub Shaft               | 316L Stainless  |
| Adapter                  | 304 Stainless   |

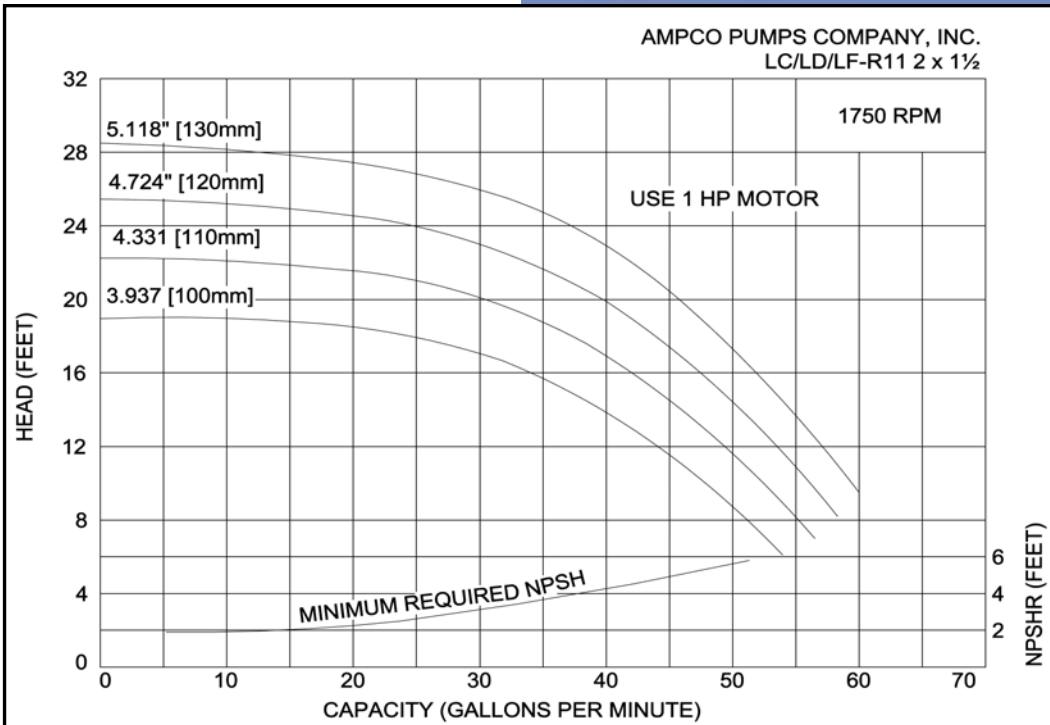
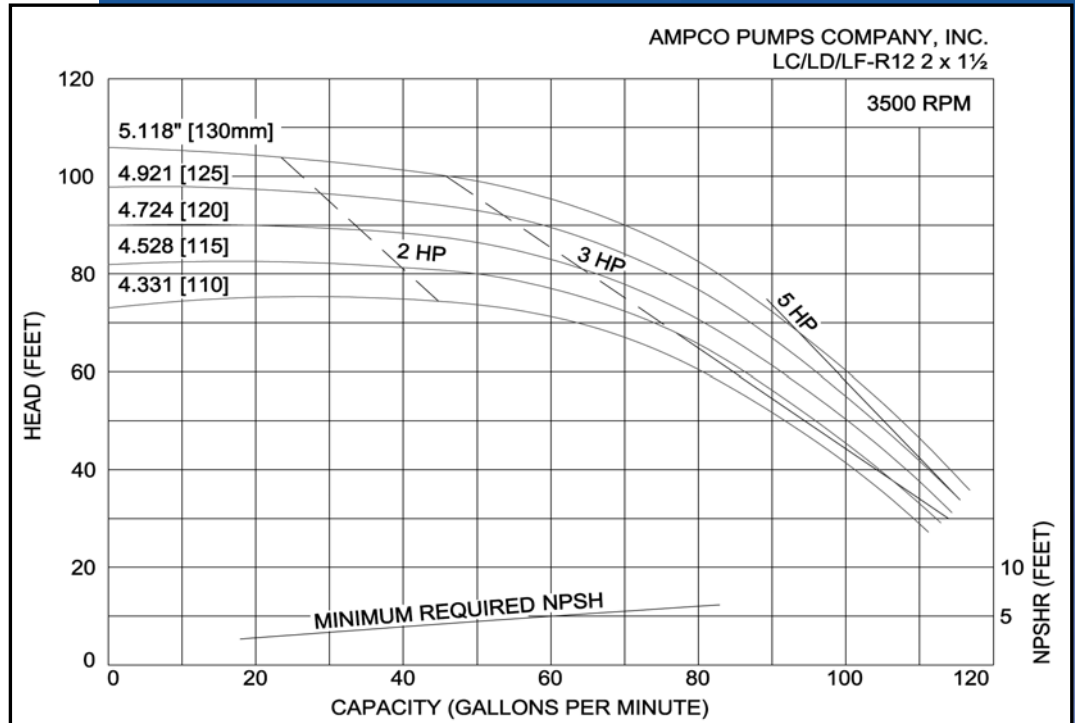
PUMP CURVES

|                     |
|---------------------|
| MODEL LF-R11 2 x 1½ |
| MODEL LF-R12 2 x 1½ |

Curves show approximate characteristics based on clear 68° F water.  
Rated point is guaranteed

LF-Series pumps have standard stainless steel adapters and silicon carbide vs. carbon seals.

# Ampco Centrifugal Pumps



LF pumps are in conformance with 3A sanitary standards for centrifugal and positive rotary pumps for milk and milk products, Number 02-10.

LF-Series pumps have a standard 32RA (150 grit) finish, on all product contact surfaces.

## Ampco Pumps Company

2045 West Mill Road  
Glendale, Wisconsin 53209  
PHONE (414) 643-1852  
FAX (414) 643-4452

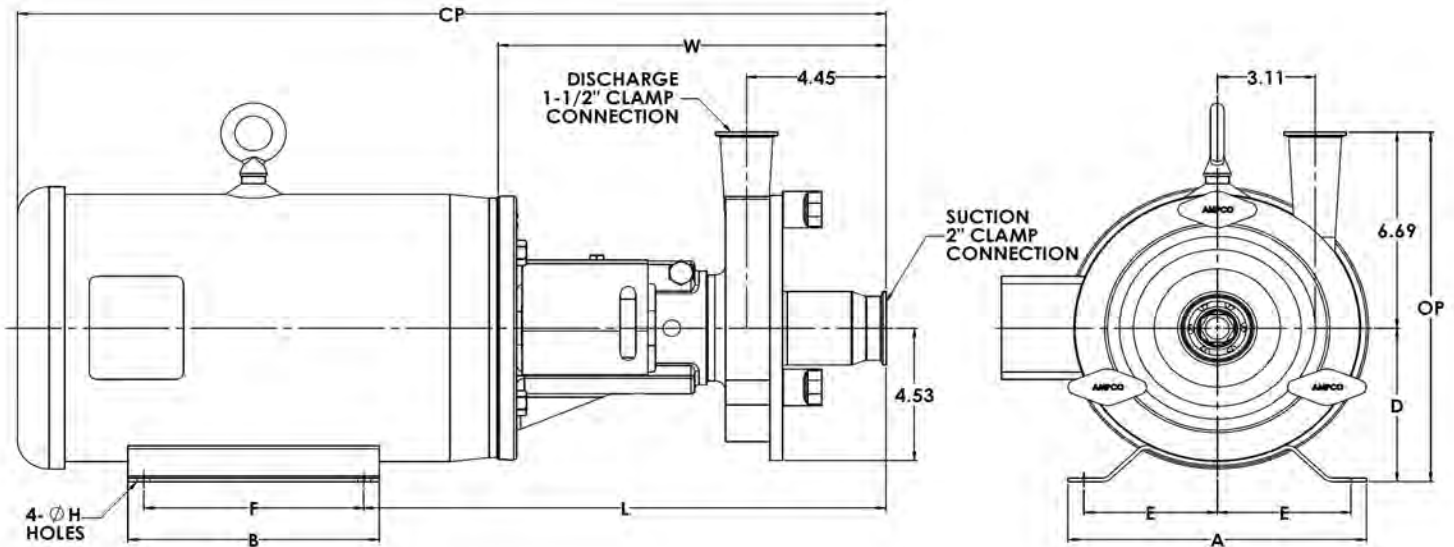
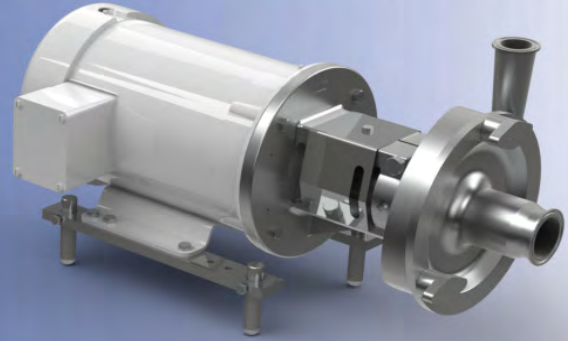
LF-R11/R12 2X1.5 01/11

# Ampco Centrifugal Pumps

## DATA SHEET

MODEL LF-R21 2 x 1½

MODEL LF-R22 2 x 1½



| TEFC MOTOR |      |       | DIMENSIONS IN INCHES<br>MILLIMETERS (For Reference Only) |         |       |       |       |       |       |       |       |       | APPROX WEIGHT |
|------------|------|-------|--|---------|-------|-------|-------|-------|-------|-------|-------|-------|---------------|
| HP         | RPM  | FRAME | A (typ)  | B (typ) | D     | E     | F     | ØH    | L     | W     | CP    | OP    | LBS<br>Kg     |
| 1 HP       | 1750 | 143TC | 6 1/2  | 6       | 3 1/2 | 2 3/4 | 4     | 11/32 | 13.31 | 10.44 | 21.60 | 10.19 | 77            |
|            |      |       | 165  | 152     | 89    | 70    | 102   | 9     | 338   | 265   | 549   | 259   | 35            |
| 1½ HP      | 1750 | 145TC | 6 1/2  | 6       | 3 1/2 | 2 3/4 | 5     | 11/32 | 13.31 | 10.44 | 21.60 | 10.19 | 83            |
|            |      |       | 165  | 152     | 89    | 70    | 127   | 9     | 338   | 265   | 549   | 259   | 38            |
| 3 HP       | 3500 | 182TC | 8 5/8  | 6 1/2   | 4 1/2 | 3 3/4 | 4 1/2 | 13/32 | 15.75 | 12.35 | 26.06 | 11.19 | 104           |
|            |      |       | 219  | 165     | 114   | 95    | 114   | 10    | 400   | 314   | 662   | 284   | 47            |
| 5 HP       | 3500 | 184TC | 8 5/8  | 6 1/2   | 4 1/2 | 3 3/4 | 5 1/2 | 13/32 | 15.75 | 12.35 | 26.06 | 11.19 | 118           |
|            |      |       | 219  | 165     | 114   | 95    | 140   | 10    | 400   | 314   | 662   | 284   | 54            |
| 7½ HP      | 3500 | 184TC | 8 5/8  | 6 1/2   | 4 1/2 | 3 3/4 | 5 1/2 | 13/32 | 15.75 | 12.35 | 26.06 | 11.19 | 136           |
|            |      |       | 219  | 165     | 114   | 95    | 140   | 10    | 400   | 314   | 662   | 284   | 62            |
| 10 HP      | 3500 | 215TC | 9 1/2  | 8       | 5 1/4 | 4 1/4 | 7     | 13/32 | 16.63 | 12.35 | 28.76 | 11.94 | 170           |
|            |      |       | 241  | 203     | 133   | 108   | 178   | 10    | 422   | 314   | 731   | 303   | 77            |

### MATERIAL SPECIFICATIONS

| PART NAME                | STAINLESS STEEL |
|--------------------------|-----------------|
| Casing, Cover & Impeller | 316L Stainless  |
| Stub Shaft               | 316L Stainless  |
| Adapter                  | 304 Stainless   |

## PUMP CURVES

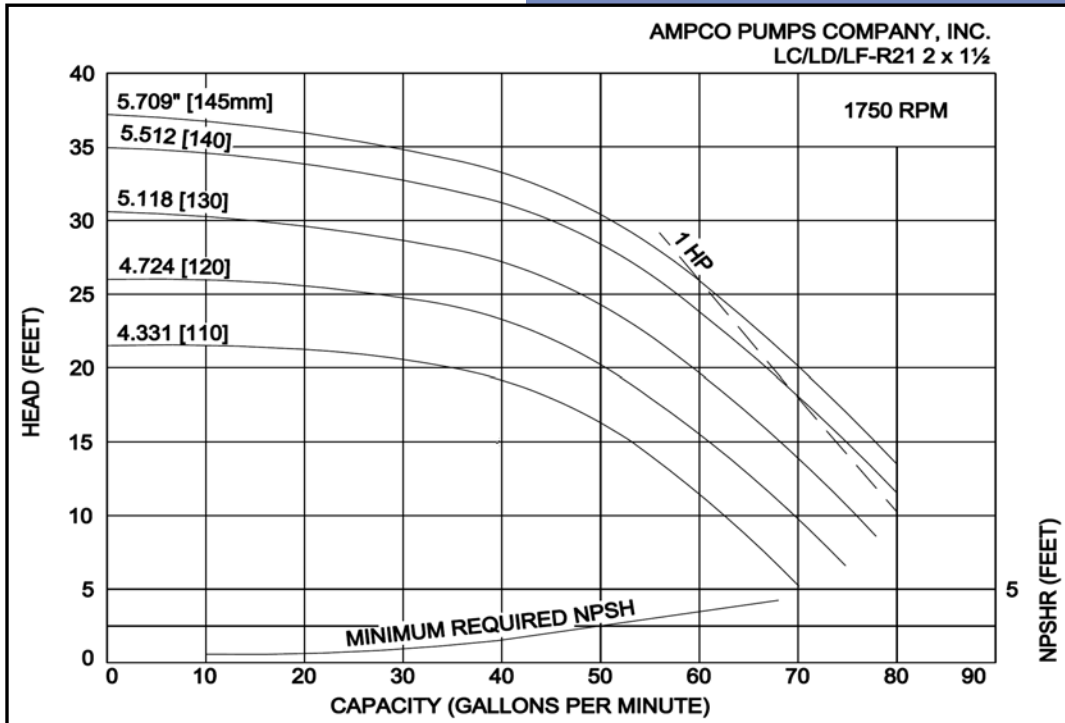
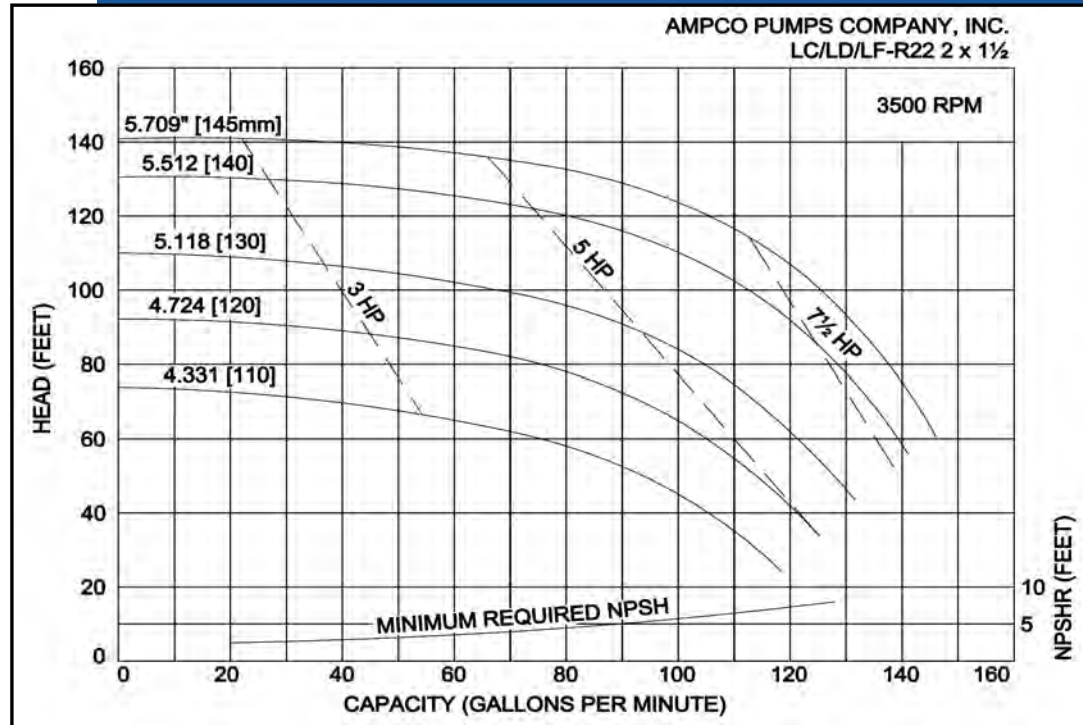
MODEL LF-R21 2 x 1½

MODEL LF-R22 2 x 1½

Curves show approximate characteristics based on clear 68° F water.  
Rated point is guaranteed

LF-Series pumps have standard stainless steel adapters and silicon carbide vs. carbon seals.

# Ampco Centrifugal Pumps



LF pumps are in conformance with 3A sanitary standards for centrifugal and positive rotary pumps for milk and milk products, Number 02-10.

LF-Series pumps have a standard 32RA (150 grit) finish, on all product contact surfaces.

## Ampco Pumps Company

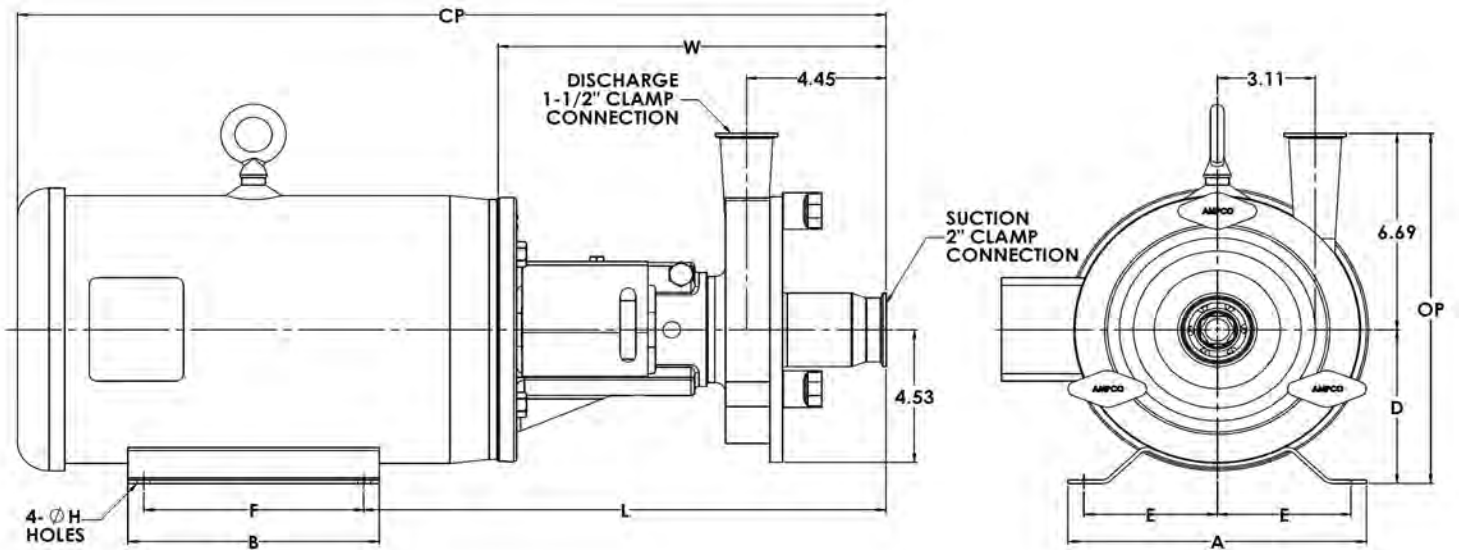
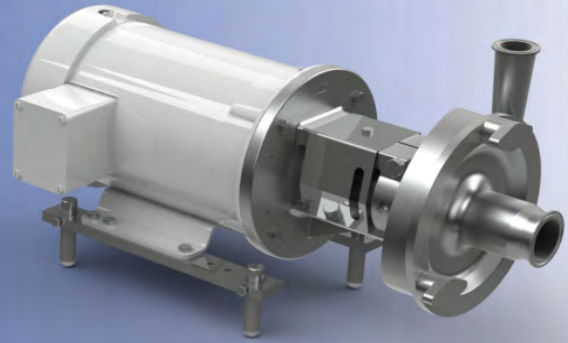
2045 West Mill Road  
Glendale, Wisconsin 53209  
PHONE (414) 643-1852  
FAX (414) 643-4452

LF-R21/R22 2X1.5 01/11

# Ampco Centrifugal Pumps

DATA SHEET

MODEL LF-R31 2 x 1½



| TEFC MOTOR |      |       | DIMENSIONS IN INCHES<br>MILLIMETERS (For Reference Only) |         |       |       |       |       |       |       |       |       | APPROX WEIGHT |
|------------|------|-------|--|---------|-------|-------|-------|-------|-------|-------|-------|-------|---------------|
| HP         | RPM  | FRAME | A (typ)  | B (typ) | D     | E     | F     | ØH    | L     | W     | CP    | OP    | LBS<br>Kg     |
| 1 HP       | 1750 | 143TC | 6 1/2  | 6       | 3 1/2 | 2 3/4 | 4     | 11/32 | 13.84 | 10.44 | 21.60 | 10.19 | 77            |
|            |      |       | 165  | 152     | 89    | 70    | 102   | 9     | 352   | 265   | 549   | 259   | 35            |
| 1½ HP      | 1750 | 145TC | 6 1/2  | 6       | 3 1/2 | 2 3/4 | 5     | 11/32 | 13.84 | 10.44 | 21.60 | 10.19 | 83            |
|            |      |       | 165  | 152     | 89    | 70    | 127   | 9     | 352   | 265   | 549   | 259   | 38            |
| 2 HP       | 1750 | 145TC | 6 1/2  | 6       | 3 1/2 | 2 3/4 | 5     | 11/32 | 13.84 | 10.44 | 21.60 | 10.19 | 86            |
|            |      |       | 165  | 152     | 89    | 70    | 127   | 9     | 352   | 265   | 549   | 259   | 39            |
| 3 HP       | 1750 | 182TC | 8 5/8  | 6 1/2   | 4 1/2 | 3 3/4 | 4 1/2 | 13/32 | 15.75 | 12.35 | 26.06 | 11.19 | 116           |
|            |      |       | 219  | 165     | 114   | 95    | 114   | 10    | 400   | 314   | 662   | 284   | 53            |

## MATERIAL SPECIFICATIONS

| PART NAME                | STAINLESS STEEL |
|--------------------------|-----------------|
| Casing, Cover & Impeller | 316L Stainless  |
| Stub Shaft               | 316L Stainless  |
| Adapter                  | 304 Stainless   |

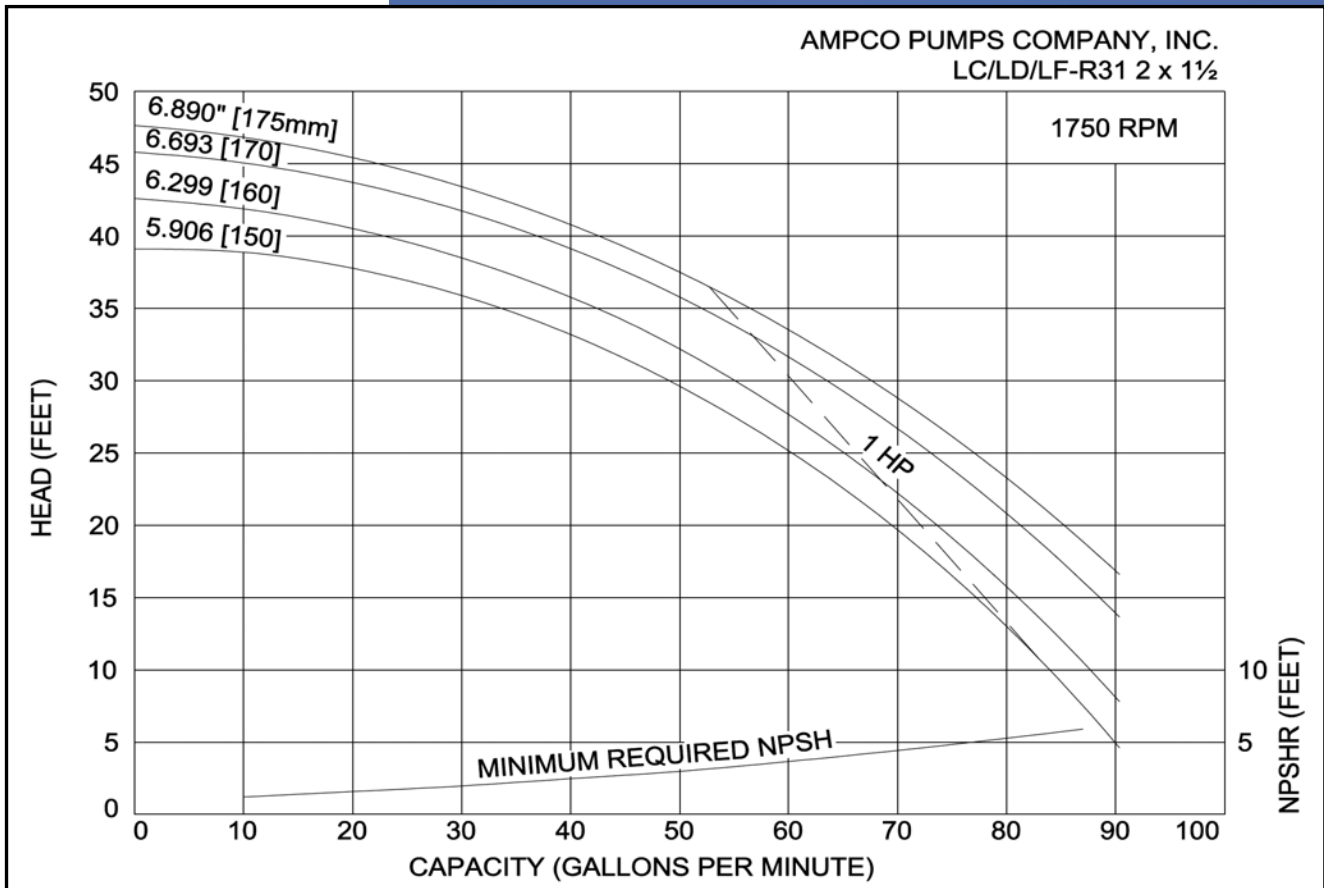
# Ampco Centrifugal Pumps

PUMP CURVE

MODEL LF-R31 2 x 1½

Curves show approximate characteristics based on clear 68° F water.  
Rated point is guaranteed

LF-Series pumps have standard stainless steel adapters and silicon carbide vs. carbon seals.



LF pumps are in conformance with 3A sanitary standards for centrifugal and positive rotary pumps for milk and milk products, Number 02-10.

LF-Series pumps have a standard 32RA (150 grit) finish, on all product contact surfaces.

## AmpcoPumps Company

2045 West Mill Road-Glendale, Wisconsin 53209-PHONE (414) 643-1852-FAX (414) 643-4452

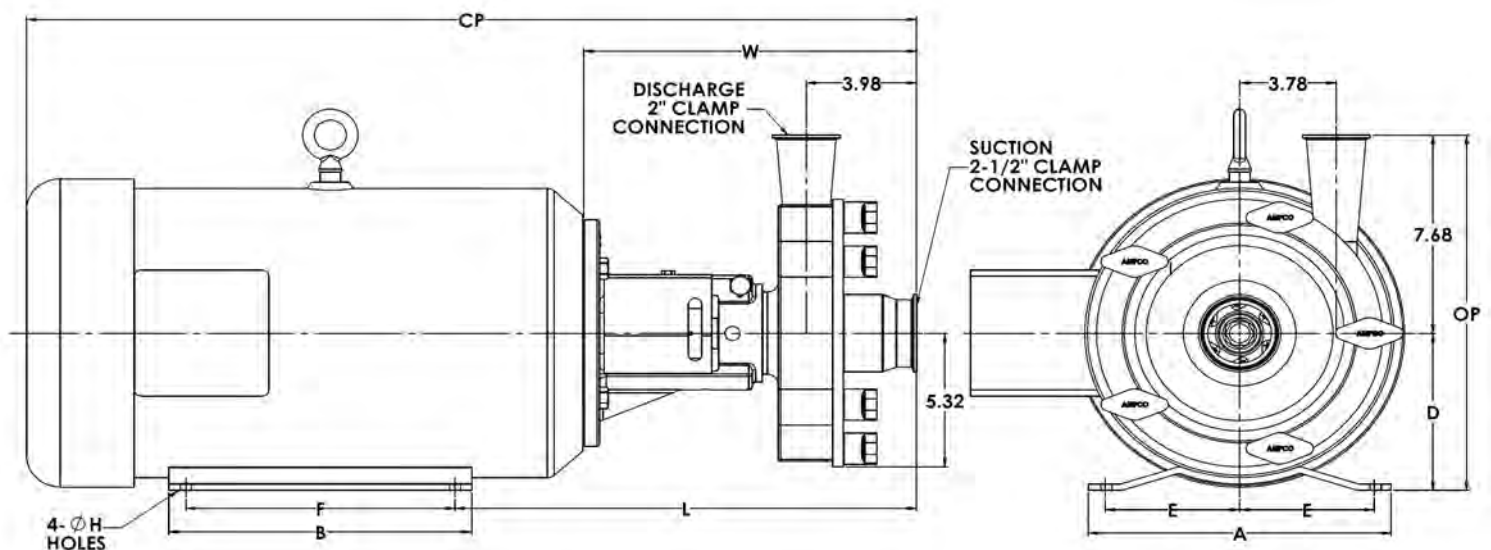
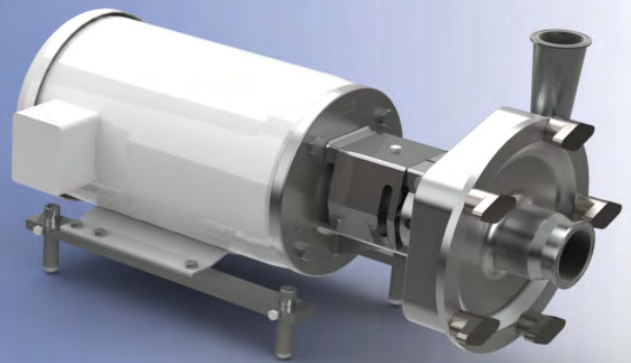
LF-R31 2X1.5 01/11

# Ampco Centrifugal Pumps

## DATA SHEET

MODEL LF-R41 2½ x 2

MODEL LF-R42 2½ x 2



| TEFC MOTOR |      |        | DIMENSIONS IN INCHES<br>MILLIMETERS (For Reference Only) |         |       |       |       |       |       |       |       |       | APPROX WEIGHT |
|------------|------|--------|--|---------|-------|-------|-------|-------|-------|-------|-------|-------|---------------|
| HP         | RPM  | FRAME  | A (typ)  | B (typ) | D     | E     | F     | ØH    | L     | W     | CP    | OP    | LBS<br>Kg     |
| 1 HP       | 1750 | 143TC  | 6 1/2  | 6       | 3 1/2 | 2 3/4 | 4     | 11/32 | 12.96 | 10.09 | 21.25 | 11.18 | 91            |
|            |      |        | 165  | 152     | 89    | 70    | 102   | 9     | 329   | 256   | 540   | 284   | 41            |
| 1½ HP      | 1750 | 145TC  | 6 1/2  | 6       | 3 1/2 | 2 3/4 | 5     | 11/32 | 12.96 | 10.09 | 21.25 | 11.18 | 97            |
|            |      |        | 165  | 152     | 89    | 70    | 127   | 9     | 329   | 256   | 540   | 284   | 44            |
| 2 HP       | 1750 | 145TC  | 6 1/2  | 6       | 3 1/2 | 2 3/4 | 5     | 11/32 | 12.96 | 10.09 | 21.25 | 11.18 | 100           |
|            |      |        | 165  | 152     | 89    | 70    | 127   | 9     | 329   | 256   | 540   | 284   | 45            |
| 3 HP       | 1750 | 182TC  | 8 5/8  | 6 1/2   | 4 1/2 | 3 3/4 | 4 1/2 | 13/32 | 15.41 | 12.00 | 25.72 | 12.18 | 130           |
|            |      |        | 219  | 165     | 114   | 95    | 114   | 10    | 391   | 305   | 653   | 309   | 59            |
| 7½ HP      | 3500 | 184TC  | 8 5/8  | 6 1/2   | 4 1/2 | 3 3/4 | 5 1/2 | 13/32 | 15.41 | 12.00 | 25.72 | 12.18 | 150           |
|            |      |        | 219  | 165     | 114   | 95    | 140   | 10    | 391   | 305   | 653   | 309   | 68            |
| 10 HP      | 3500 | 215TC  | 9 1/2  | 8       | 5 1/4 | 4 1/4 | 7     | 13/32 | 16.28 | 12.00 | 28.42 | 12.93 | 184           |
|            |      |        | 241  | 203     | 133   | 108   | 178   | 10    | 414   | 305   | 722   | 328   | 84            |
| 15 HP      | 3500 | 215TC  | 9 1/2  | 8       | 5 1/4 | 4 1/4 | 7     | 13/32 | 16.28 | 12.00 | 28.42 | 12.93 | 224           |
|            |      |        | 241  | 203     | 133   | 108   | 178   | 10    | 414   | 305   | 722   | 328   | 102           |
| 20 HP      | 3500 | 256TC  | 11 1/2   | 11 1/2  | 6 1/4 | 5     | 10    | 17/32 | 16.78 | 12.00 | 31.35 | 13.93 | 329           |
|            |      |        | 292  | 292     | 159   | 127   | 254   | 13    | 426   | 305   | 796   | 354   | 150           |
| 25 HP      | 3500 | 284TSC | 12 3/4   | 12 3/4  | 7     | 5 1/2 | 9 1/2 | 17/32 | 16.78 | 12.00 | 33.47 | 14.68 | 447           |
|            |      |        | 324  | 324     | 178   | 140   | 241   | 13    | 426   | 305   | 850   | 373   | 203           |

### MATERIAL SPECIFICATIONS

| PART NAME                | STAINLESS STEEL |
|--------------------------|-----------------|
| Casing, Cover & Impeller | 316L Stainless  |
| Stub Shaft               | 316L Stainless  |
| Adapter                  | 304 Stainless   |



PUMP CURVES

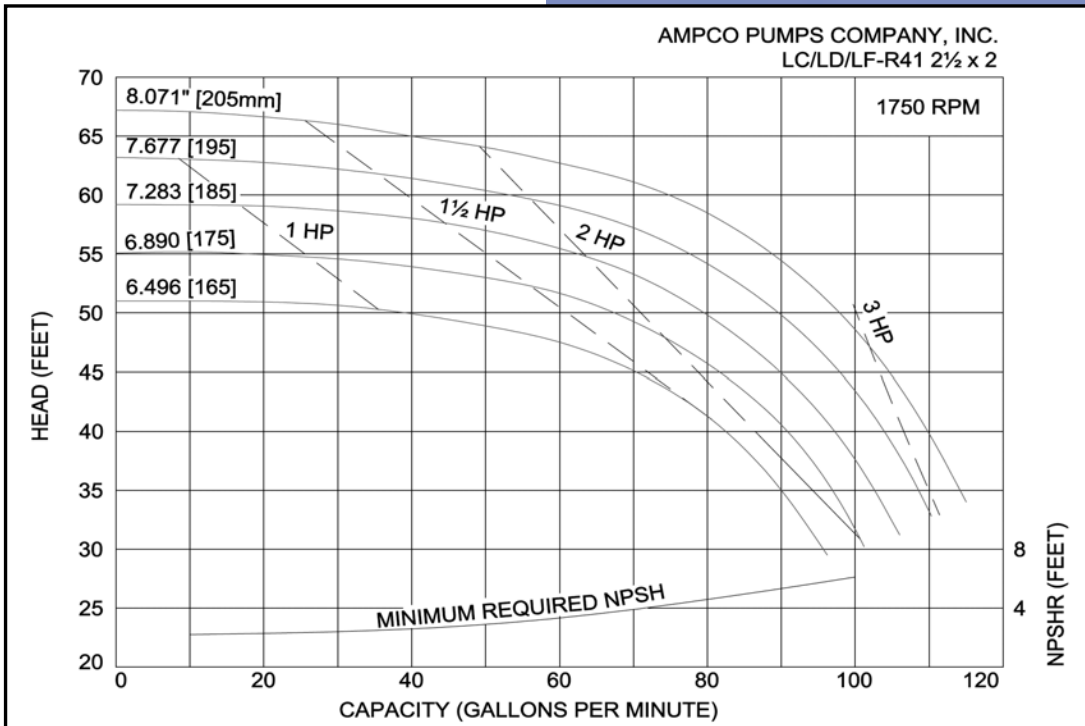
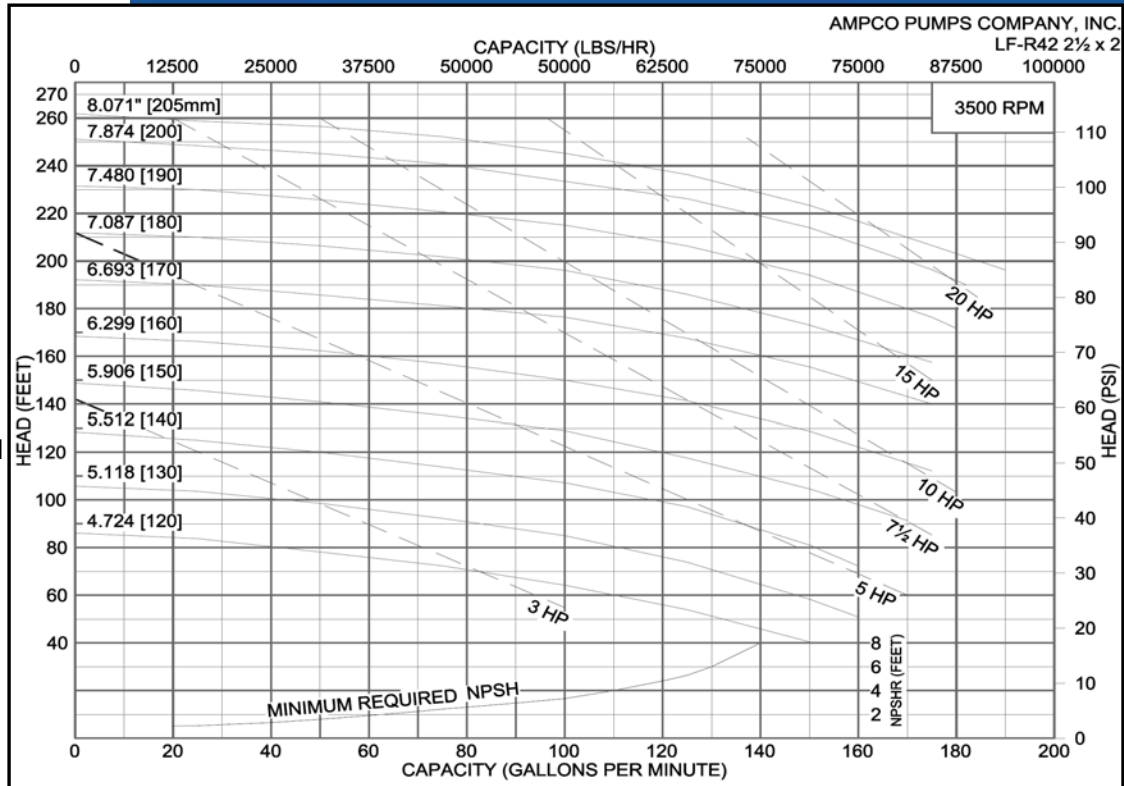
MODEL LF-R41 2½ x 2

MODEL LF-R42 2½ x 2

# Ampco Centrifugal Pumps

Curves show approximate characteristics based on clear 68° F water. Rated point is guaranteed

LF-Series pumps have standard stainless steel adapters and silicon carbide vs. carbon seals.



LF pumps are in conformance with 3A sanitary standards for centrifugal and positive rotary pumps for milk and milk products, Number 02-10.

LF-Series pumps have a standard 32RA (150 grit) finish, on all product contact surfaces.

## Ampco Pumps Company

2045 West Mill Road  
Glendale, Wisconsin 53209  
PHONE (414) 643-1852  
FAX (414) 643-4452

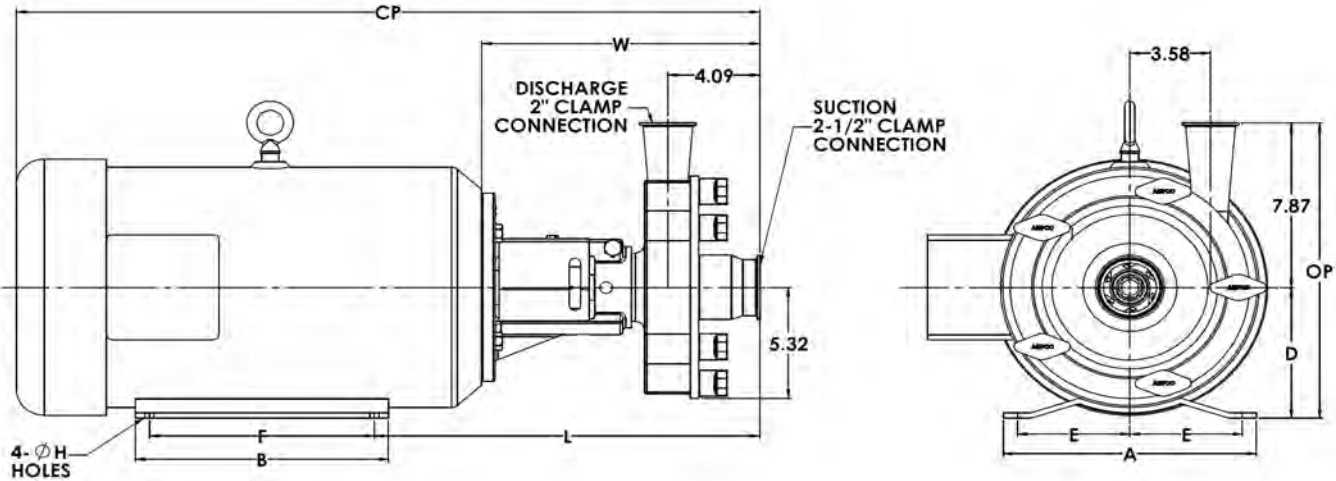
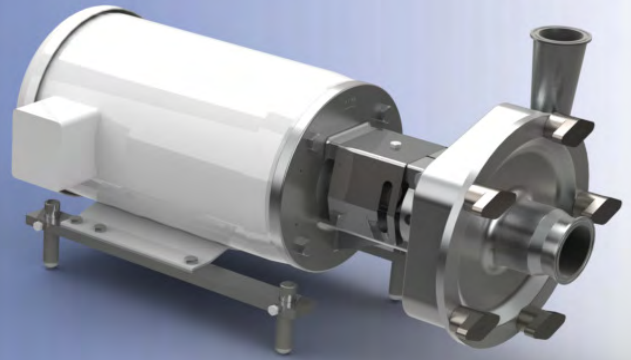
LF-R41/R42 2.5X2 01/11

# Ampco Centrifugal Pumps

## DATA SHEET

MODEL LF-R141 2½ x 2

MODEL LF-R142 2½ x 2



| TEFC MOTOR |      |        | DIMENSIONS IN INCHES<br>MILLIMETERS (For Reference Only) |         |       |       |        |       |       |       |       |       | APPROX WEIGHT |
|------------|------|--------|--|---------|-------|-------|--------|-------|-------|-------|-------|-------|---------------|
| HP         | RPM  | FRAME  | A (typ)  | B (typ) | D     | E     | F      | ØH    | L     | W     | CP    | OP    | LBS<br>Kg     |
| 1 HP       | 1750 | 143TC  | 6 1/2  | 6       | 3 1/2 | 2 3/4 | 4      | 11/32 | 13.33 | 10.46 | 21.62 | 11.37 | 104           |
|            |      |        | 165  | 152     | 89    | 70    | 102    | 9     | 339   | 266   | 549   | 289   | 47            |
| 1½ HP      | 1750 | 145TC  | 6 1/2  | 6       | 3 1/2 | 2 3/4 | 5      | 11/32 | 13.33 | 10.46 | 21.62 | 11.37 | 110           |
|            |      |        | 165  | 152     | 89    | 70    | 127    | 9     | 339   | 266   | 549   | 289   | 50            |
| 2 HP       | 1750 | 145TC  | 6 1/2  | 6       | 3 1/2 | 2 3/4 | 5      | 11/32 | 13.33 | 10.46 | 21.62 | 11.37 | 113           |
|            |      |        | 165  | 152     | 89    | 70    | 127    | 9     | 339   | 266   | 549   | 289   | 51            |
| 3 HP       | 1750 | 182TC  | 8 5/8  | 6 1/2   | 4 1/2 | 3 3/4 | 4 1/2  | 13/32 | 15.77 | 12.37 | 26.08 | 12.37 | 140           |
|            |      |        | 219  | 165     | 114   | 95    | 114    | 10    | 401   | 314   | 663   | 314   | 64            |
| 5 HP       | 1750 | 184TC  | 8 5/8  | 6 1/2   | 4 1/2 | 3 3/4 | 5 1/2  | 13/32 | 15.77 | 12.37 | 26.08 | 12.37 | 147           |
|            |      |        | 219  | 165     | 114   | 95    | 140    | 10    | 401   | 314   | 663   | 314   | 67            |
| 7½ HP      | 1750 | 213TC  | 9 1/2  | 8       | 5 1/4 | 4 1/4 | 5 1/2  | 13/32 | 15.77 | 12.37 | 26.08 | 13.12 | 164           |
|            |      |        | 241  | 203     | 133   | 108   | 140    | 10    | 401   | 314   | 663   | 333   | 75            |
| 10 HP      | 3500 | 215TC  | 9 1/2  | 8       | 5 1/4 | 4 1/4 | 7      | 13/32 | 15.77 | 12.37 | 26.08 | 13.12 | 194           |
|            |      |        | 241  | 203     | 133   | 108   | 178    | 10    | 401   | 314   | 663   | 333   | 88            |
| 15 HP      | 3500 | 215TC  | 9 1/2  | 8       | 5 1/4 | 4 1/4 | 7      | 13/32 | 15.77 | 12.37 | 26.08 | 13.12 | 236           |
|            |      |        | 241  | 203     | 133   | 108   | 178    | 10    | 401   | 314   | 663   | 333   | 107           |
| 20 HP      | 3500 | 256TC  | 11 1/2   | 11 1/2  | 6 1/4 | 5     | 10     | 17/32 | 17.15 | 12.37 | 31.72 | 14.12 | 361           |
|            |      |        | 292  | 292     | 159   | 127   | 10     | 13    | 436   | 314   | 806   | 359   | 164           |
| 25 HP      | 3500 | 284TSC | 12 3/4   | 12 3/4  | 7     | 5 1/2 | 9 1/2  | 17/32 | 17.54 | 12.78 | 34.24 | 14.87 | 454           |
|            |      |        | 324  | 324     | 178   | 140   | 11     | 13    | 445   | 325   | 870   | 378   | 206           |
| 30 HP      | 3500 | 286TSC | 12 3/4   | 12 3/4  | 7     | 5 1/2 | 11     | 17/32 | 17.54 | 12.78 | 34.24 | 14.87 | 476           |
|            |      |        | 324  | 324     | 178   | 140   | 279    | 13    | 445   | 325   | 870   | 378   | 216           |
| 40 HP      | 3500 | 324TSC | 14 1/2   | 14      | 8     | 6 1/4 | 10 1/2 | 21/32 | 18.04 | 12.78 | 37.93 | 15.87 | 590           |
|            |      |        | 368  | 356     | 203   | 159   | 267    | 17    | 458   | 325   | 963   | 403   | 268           |
| 50 HP      | 3500 | 326TSC | 14 1/2   | 14      | 8     | 6 1/4 | 12     | 21/32 | 18.04 | 12.78 | 37.93 | 15.87 | 699           |
|            |      |        | 368  | 356     | 203   | 159   | 305    | 17    | 458   | 325   | 963   | 403   | 318           |

### MATERIAL SPECIFICATIONS

| PART NAME                | STAINLESS STEEL |
|--------------------------|-----------------|
| Casing, Cover & Impeller | 316L Stainless  |
| Stub Shaft               | 316L Stainless  |
| Adapter                  | 304 Stainless   |

## PUMP CURVES

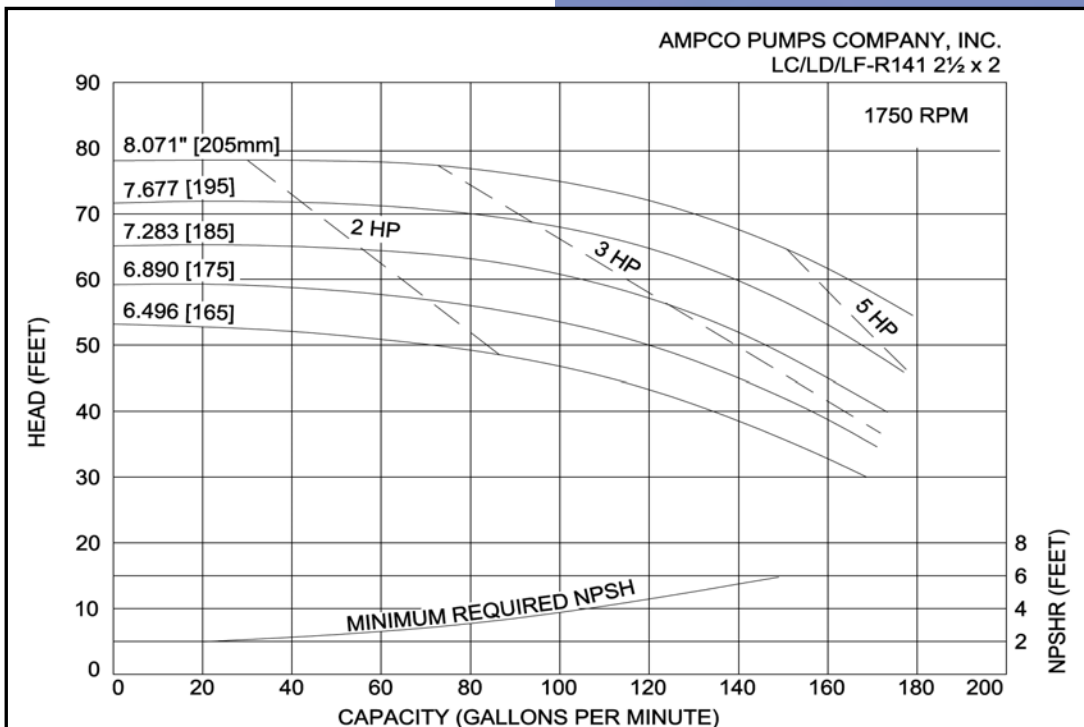
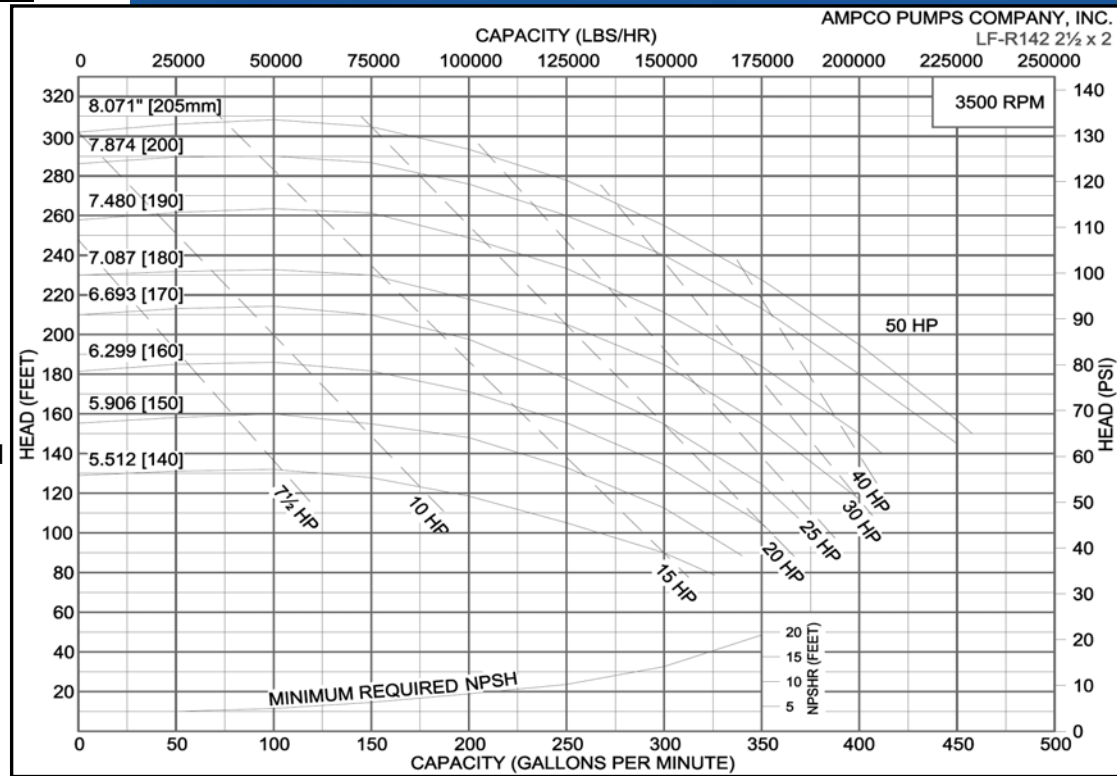
MODEL LF-R141 2½ x 2

MODEL LF-R142 2½ x 2

Curves show approximate characteristics based on clear 68° F water.  
Rated point is guaranteed

LF-Series pumps have standard stainless steel adapters and silicon carbide vs. carbon seals.

# Ampco Centrifugal Pumps



LF pumps are in conformance with 3A sanitary standards for centrifugal and positive rotary pumps for milk and milk products, Number 02-10.

LF-Series pumps have a standard 32RA (150 grit) finish, on all product contact surfaces.

## Ampco Pumps Company

2045 West Mill Road  
Glendale, Wisconsin 53209  
PHONE (414) 643-1852  
FAX (414) 643-4452

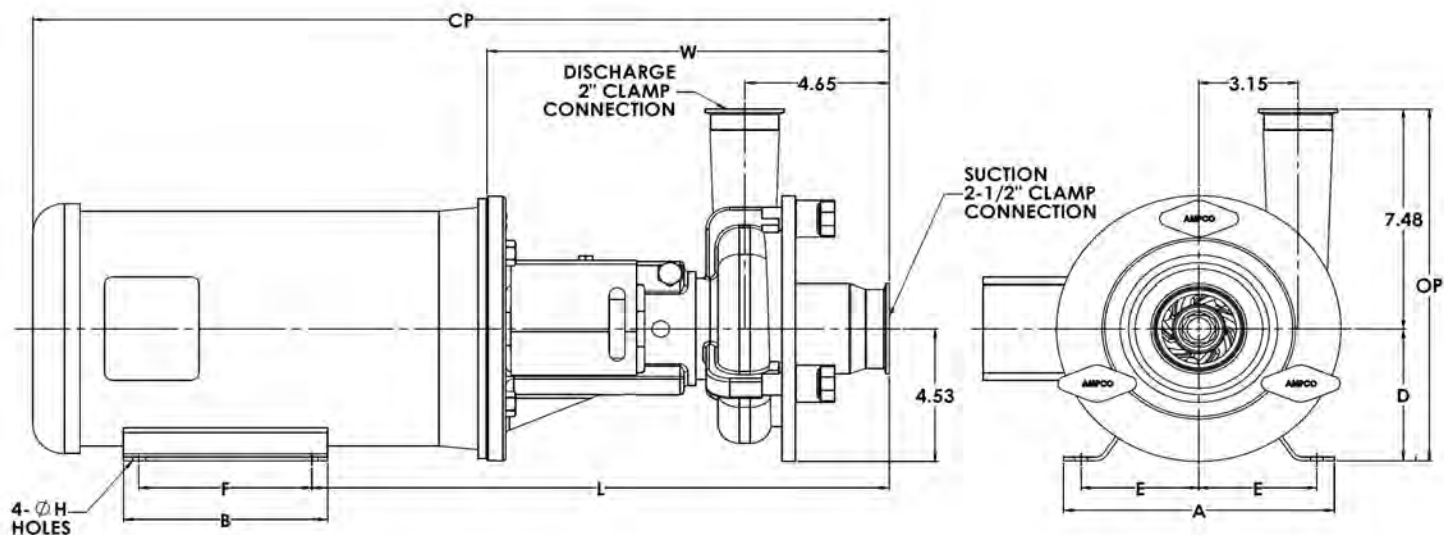
LF-R141/R142 2.5X2 01/11

# Ampco Centrifugal Pumps

## DATA SHEET

MODEL LF-V521 2½ x 2

MODEL LF-V522 2½ x 2



| TEFC MOTOR |      |       | DIMENSIONS IN INCHES<br>MILLIMETERS (For Reference Only) |         |       |       |       |       |       |       |       |       | APPROX WEIGHT |
|------------|------|-------|--|---------|-------|-------|-------|-------|-------|-------|-------|-------|---------------|
| HP         | RPM  | FRAME | A (typ)  | B (typ) | D     | E     | F     | ØH    | L     | W     | CP    | OP    | LBS<br>Kg     |
| 1 HP       | 1750 | 143TC | 6 1/2  | 6       | 3 1/2 | 2 3/4 | 4     | 11/32 | 13.81 | 10.93 | 22.10 | 10.98 | 86            |
|            |      |       | 165  | 152     | 89    | 70    | 102   | 9     | 351   | 278   | 561   | 279   | 39            |
| 1½ HP      | 1750 | 145TC | 6 1/2  | 6       | 3 1/2 | 2 3/4 | 5     | 11/32 | 13.81 | 10.93 | 22.10 | 10.98 | 92            |
|            |      |       | 165  | 152     | 89    | 70    | 127   | 9     | 351   | 278   | 561   | 279   | 42            |
| 2 HP       | 1750 | 145TC | 6 1/2  | 6       | 3 1/2 | 2 3/4 | 5     | 11/32 | 13.81 | 10.93 | 22.10 | 10.98 | 95            |
|            |      |       | 165  | 152     | 89    | 70    | 127   | 9     | 351   | 278   | 561   | 279   | 43            |
| 5 HP       | 3500 | 184TC | 8 5/8  | 6 1/2   | 4 1/2 | 3 3/4 | 5 1/2 | 13/32 | 16.25 | 12.85 | 26.56 | 11.98 | 127           |
|            |      |       | 219  | 165     | 114   | 95    | 140   | 10    | 413   | 326   | 675   | 304   | 58            |
| 7½ HP      | 3500 | 184TC | 8 5/8  | 6 1/2   | 4 1/2 | 3 3/4 | 5 1/2 | 13/32 | 16.25 | 12.85 | 26.56 | 11.98 | 145           |
|            |      |       | 219  | 165     | 114   | 95    | 140   | 10    | 413   | 326   | 675   | 304   | 66            |
| 10 HP      | 3500 | 215TC | 9 1/2  | 8       | 5 1/4 | 4 1/4 | 7     | 13/32 | 17.13 | 12.85 | 29.26 | 12.73 | 179           |
|            |      |       | 241  | 203     | 133   | 108   | 178   | 10    | 435   | 326   | 743   | 323   | 81            |
| 15 HP      | 3500 | 215TC | 9 1/2  | 8       | 5 1/4 | 4 1/4 | 7     | 13/32 | 17.13 | 12.85 | 29.26 | 12.73 | 219           |
|            |      |       | 241  | 203     | 133   | 108   | 178   | 10    | 435   | 326   | 743   | 323   | 100           |

### MATERIAL SPECIFICATIONS

| PART NAME                | STAINLESS STEEL |
|--------------------------|-----------------|
| Casing, Cover & Impeller | 316L Stainless  |
| Stub Shaft               | 316L Stainless  |
| Adapter                  | 304 Stainless   |

## PUMP CURVES

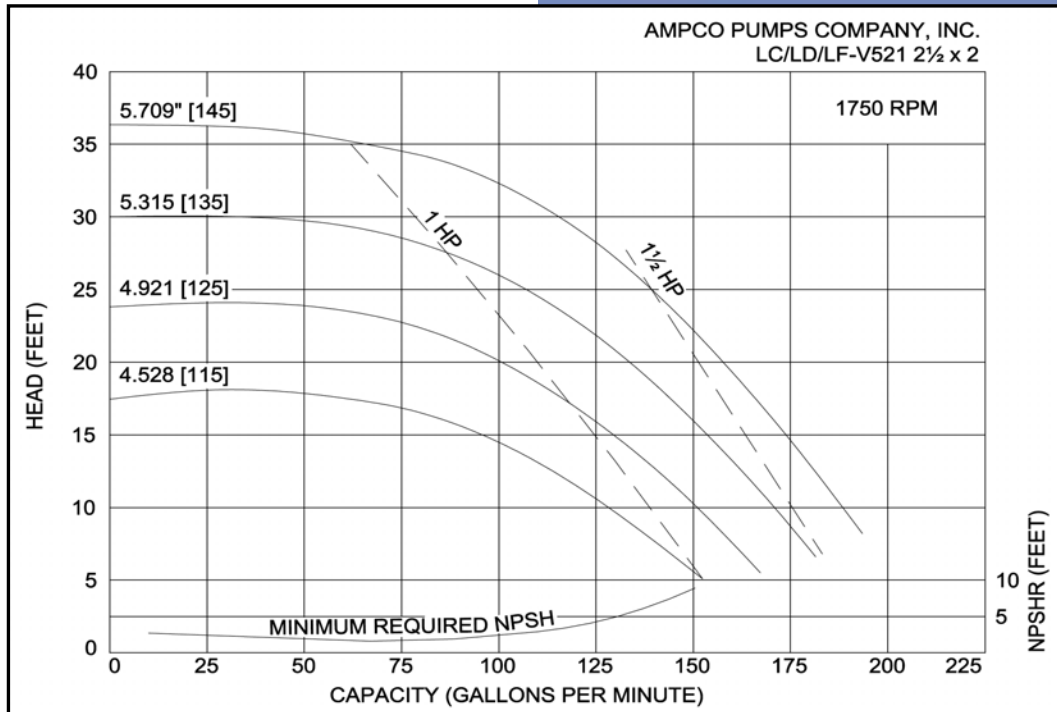
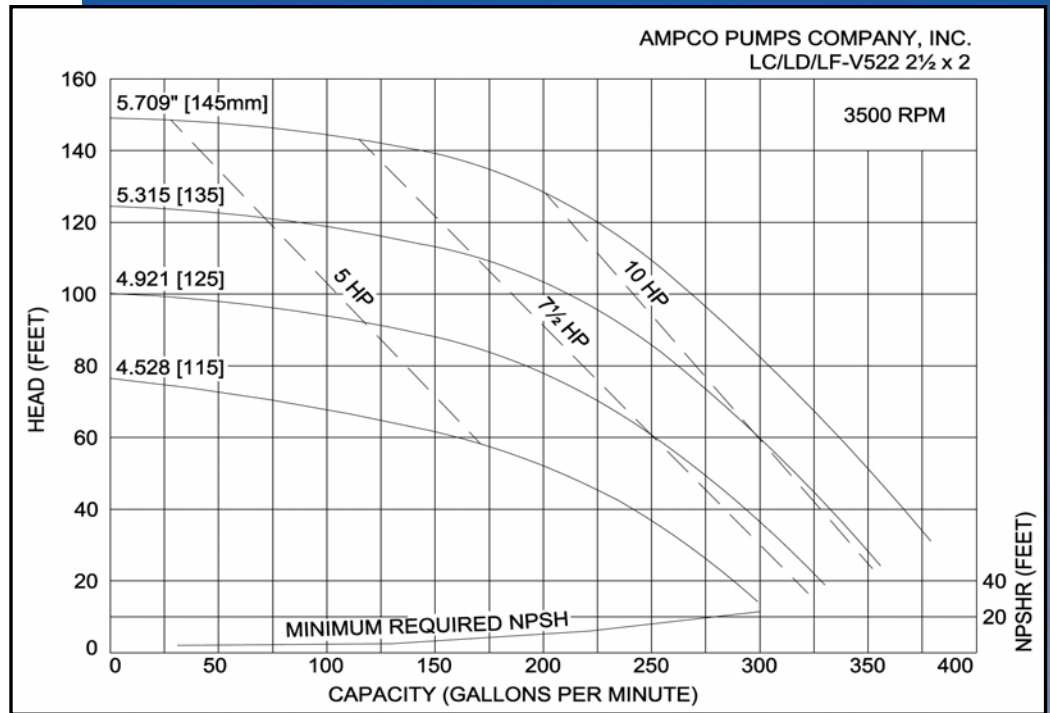
MODEL LF-V521 2½ x 2

MODEL LF-V522 2½ x 2

Curves show approximate characteristics based on clear 68° F water.  
Rated point is guaranteed

LF-Series pumps have standard stainless steel adapters and silicon carbide vs. carbon seals.

# Ampco Centrifugal Pumps



LF pumps are in conformance with 3A sanitary standards for centrifugal and positive rotary pumps for milk and milk products, Number 02-10.

LF-Series pumps have a standard 32RA (150 grit) finish, on all product contact surfaces.

## Ampco Pumps Company

2045 West Mill Road  
Glendale, Wisconsin 53209  
PHONE (414) 643-1852  
FAX (414) 643-4452

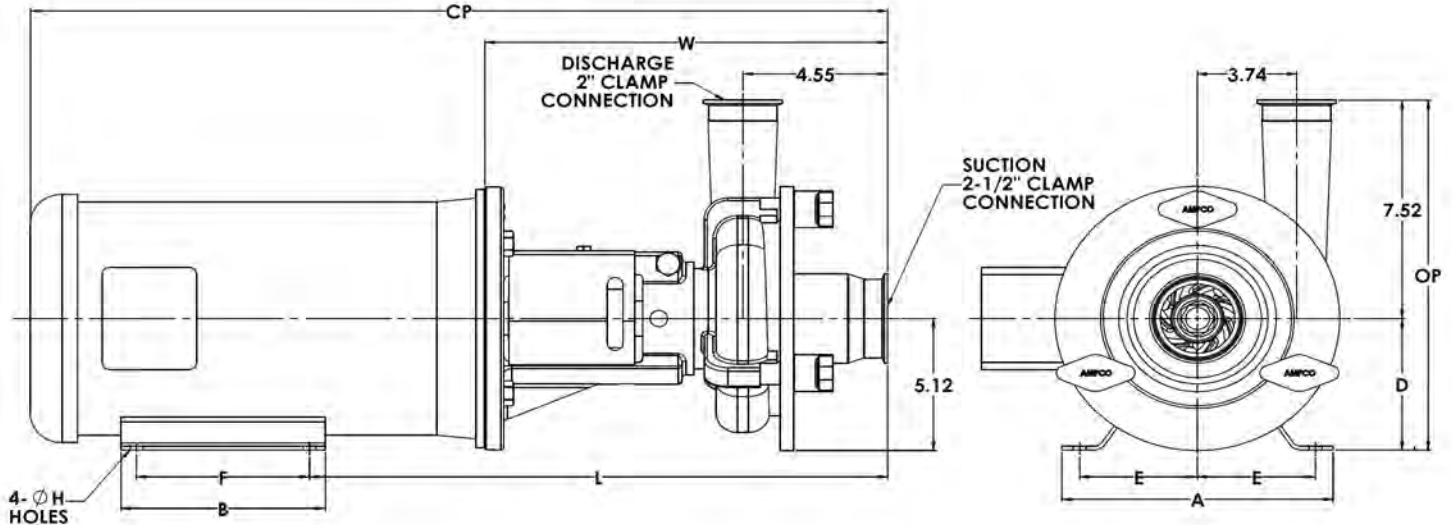
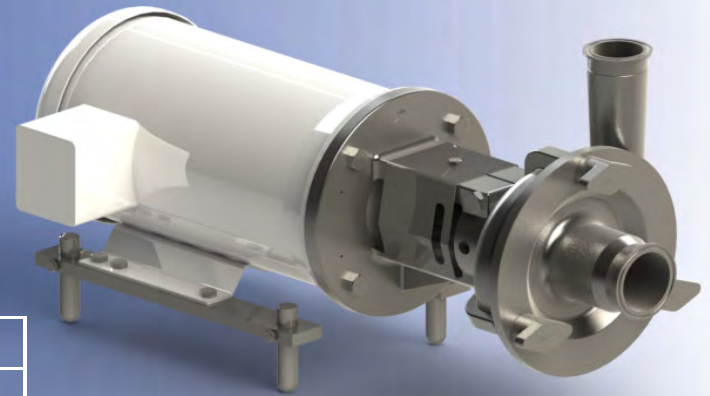
LF-V521/V522 2.5X2 01/11

# Ampco Centrifugal Pumps

## DATA SHEET

MODEL LF-V531 2½ x 2

MODEL LF-V532 2½ x 2



| TEFC MOTOR |      |        | DIMENSIONS IN INCHES<br>MILLIMETERS (For Reference Only) |         |       |       |       |       |       |       |       |       | APPROX WEIGHT |
|------------|------|--------|--|---------|-------|-------|-------|-------|-------|-------|-------|-------|---------------|
| HP         | RPM  | FRAME  | A (typ)  | B (typ) | D     | E     | F     | ØH    | L     | W     | CP    | OP    | LBS<br>Kg     |
| 1 HP       | 1750 | 143TC  | 6 1/2  | 6       | 3 1/2 | 2 3/4 | 4     | 11/32 | 13.81 | 10.93 | 22.10 | 11.02 | 92            |
|            |      |        | 165  | 152     | 89    | 70    | 102   | 9     | 351   | 278   | 561   | 280   | 42            |
| 1½ HP      | 1750 | 145TC  | 6 1/2  | 6       | 3 1/2 | 2 3/4 | 5     | 11/32 | 13.81 | 10.93 | 22.10 | 11.02 | 98            |
|            |      |        | 165  | 152     | 89    | 70    | 127   | 9     | 351   | 278   | 561   | 280   | 45            |
| 2 HP       | 1750 | 145TC  | 6 1/2  | 6       | 3 1/2 | 2 3/4 | 5     | 11/32 | 13.81 | 10.93 | 22.10 | 11.02 | 101           |
|            |      |        | 165  | 152     | 89    | 70    | 127   | 9     | 351   | 278   | 561   | 280   | 46            |
| 3 HP       | 1750 | 182TC  | 8 5/8  | 6 1/2   | 4 1/2 | 3 3/4 | 4 1/2 | 13/32 | 16.25 | 12.84 | 26.56 | 12.02 | 131           |
|            |      |        | 219  | 165     | 114   | 95    | 114   | 10    | 413   | 326   | 675   | 305   | 60            |
| 5 HP       | 1750 | 184TC  | 8 5/8  | 6 1/2   | 4 1/2 | 3 3/4 | 5 1/2 | 13/32 | 16.25 | 12.84 | 26.56 | 12.02 | 138           |
|            |      |        | 219  | 165     | 114   | 95    | 140   | 10    | 413   | 326   | 675   | 305   | 63            |
| 5 HP       | 3500 | 184TC  | 8 5/8  | 6 1/2   | 4 1/2 | 3 3/4 | 5 1/2 | 13/32 | 16.25 | 12.84 | 26.56 | 12.02 | 188           |
|            |      |        | 219  | 165     | 114   | 95    | 140   | 10    | 413   | 326   | 675   | 305   | 85            |
| 7½ HP      | 3500 | 184TC  | 8 5/8  | 6 1/2   | 4 1/2 | 3 3/4 | 5 1/2 | 13/32 | 16.25 | 12.84 | 26.56 | 12.02 | 198           |
|            |      |        | 219  | 165     | 114   | 95    | 140   | 10    | 413   | 326   | 675   | 305   | 90            |
| 10 HP      | 3500 | 215TC  | 9 1/2  | 8       | 5 1/4 | 4 1/4 | 7     | 13/32 | 17.12 | 12.84 | 29.26 | 12.77 | 313           |
|            |      |        | 241  | 203     | 133   | 108   | 178   | 10    | 435   | 326   | 743   | 324   | 142           |
| 15 HP      | 3500 | 215TC  | 9 1/2  | 8       | 5 1/4 | 4 1/4 | 7     | 13/32 | 17.12 | 12.84 | 29.26 | 12.77 | 334           |
|            |      |        | 241  | 203     | 133   | 108   | 178   | 10    | 435   | 326   | 743   | 324   | 152           |
| 20 HP      | 3500 | 256TC  | 11 1/2   | 11 1/2  | 6 1/4 | 5     | 10    | 17/32 | 17.62 | 12.84 | 32.19 | 13.77 | 376           |
|            |      |        | 292  | 292     | 159   | 127   | 254   | 13    | 448   | 326   | 818   | 350   | 171           |
| 25HP       | 3500 | 284TSC | 12 3/4   | 12 3/4  | 7     | 5 1/2 | 9 1/2 | 17/32 | 18.01 | 13.25 | 34.72 | 14.52 | 469           |
|            |      |        | 324  | 324     | 178   | 140   | 241   | 13    | 458   | 337   | 882   | 369   | 213           |

### MATERIAL SPECIFICATIONS

| PART NAME                | STAINLESS STEEL |
|--------------------------|-----------------|
| Casing, Cover & Impeller | 316L Stainless  |
| Stub Shaft               | 316L Stainless  |
| Adapter                  | 304 Stainless   |

## PUMP CURVES

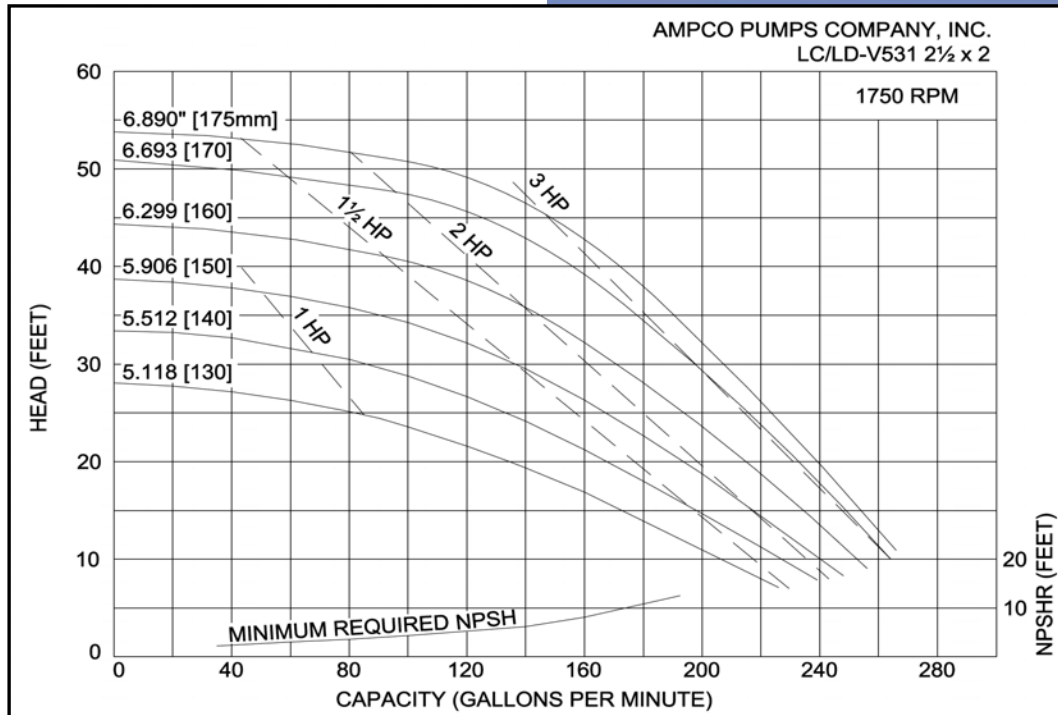
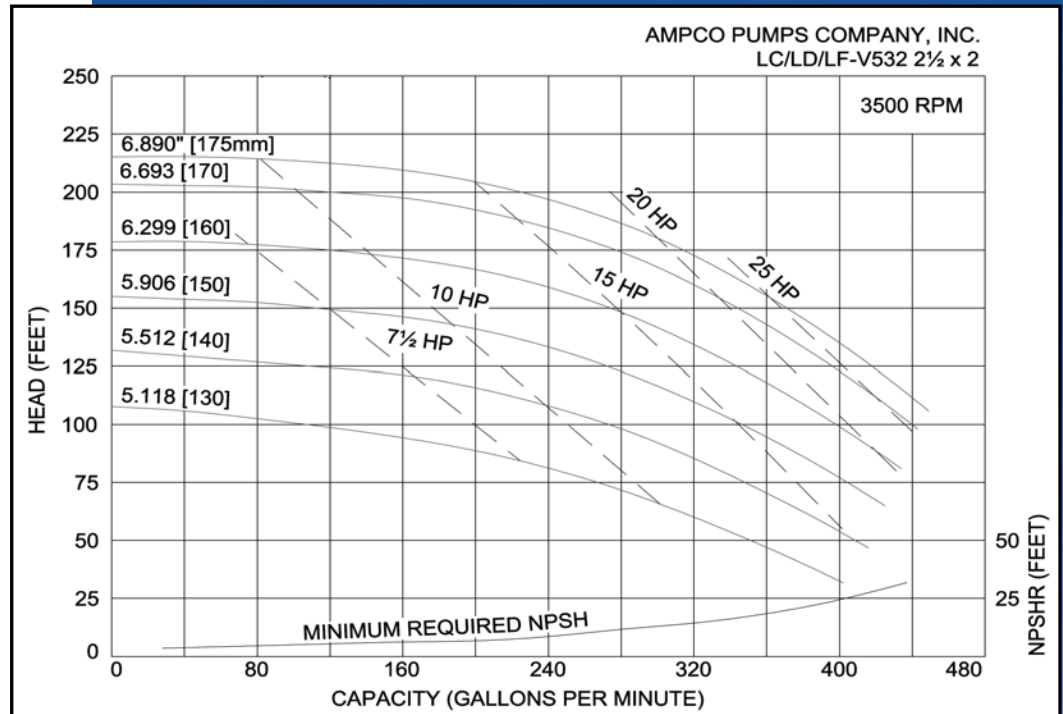
MODEL LF-V531 2½ x 2

MODEL LF-V532 2½ x 2

Curves show approximate characteristics based on clear 68° F water.  
Rated point is guaranteed

LF-Series pumps have standard stainless steel adapters and silicon carbide vs. carbon seals.

# Ampco Centrifugal Pumps



LF pumps are in conformance with 3A sanitary standards for centrifugal and positive rotary pumps for milk and milk products, Number 02-10.

LF-Series pumps have a standard 32RA (150 grit) finish, on all product contact surfaces.

## Ampco Pumps Company

2045 West Mill Road  
Glendale, Wisconsin 53209  
PHONE (414) 643-1852  
FAX (414) 643-4452

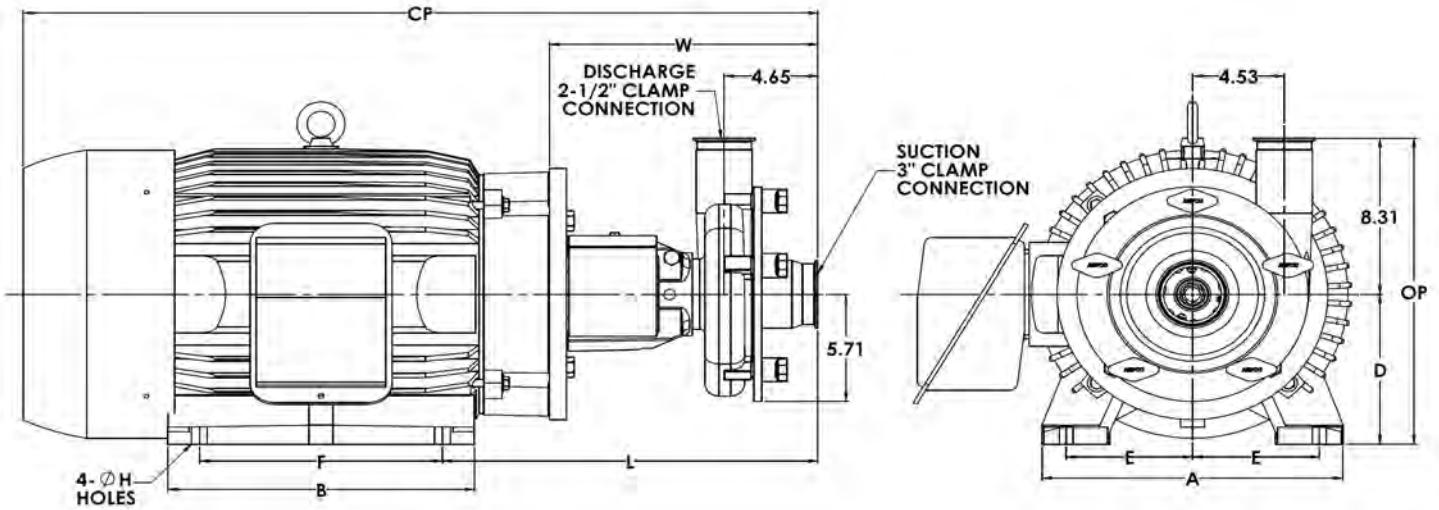
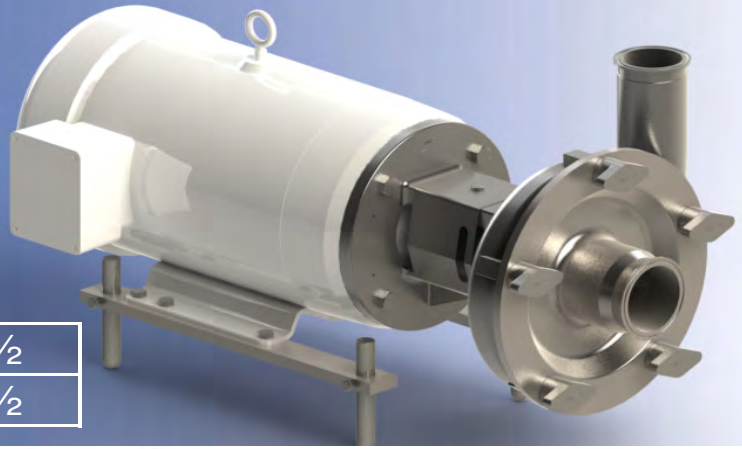
LF-V531/V532 2.5X2 01/11

# Ampco Centrifugal Pumps

## DATA SHEET

MODEL LF-V541 3 x 2½

MODEL LF-V542 3 x 2½



| TEFC MOTOR |      |        | DIMENSIONS IN INCHES<br>MILLIMETERS (For Reference Only) |         |       |       |        |       |       |       |       |       | APPROX WEIGHT |
|------------|------|--------|--|---------|-------|-------|--------|-------|-------|-------|-------|-------|---------------|
| HP         | RPM  | FRAME  | A (typ)  | B (typ) | D     | E     | F      | ØH    | L     | W     | CP    | OP    | LBS<br>Kg     |
| 2 HP       | 1750 | 145TC  | 6 1/2  | 6       | 3 1/2 | 2 3/4 | 5      | 11/32 | 13.81 | 10.93 | 22.10 | 11.81 | 117           |
|            |      |        | 165  | 152     | 89    | 70    | 127    | 9     | 351   | 278   | 561   | 300   | 53            |
| 3 HP       | 1750 | 182TC  | 8 5/8  | 6 1/2   | 4 1/2 | 2 3/4 | 4 1/2  | 13/32 | 16.25 | 12.84 | 26.56 | 12.81 | 147           |
|            |      |        | 219  | 165     | 114   | 70    | 114    | 10    | 413   | 326   | 675   | 325   | 67            |
| 5          | 1750 | 184TC  | 8 5/8  | 6 1/2   | 4 1/2 | 3 3/4 | 5 1/2  | 13/32 | 16.25 | 12.84 | 26.56 | 12.81 | 154           |
|            |      |        | 219  | 165     | 114   | 95    | 140    | 10    | 413   | 326   | 675   | 325   | 70            |
| 7½ HP      | 1750 | 213TC  | 9 1/2  | 8       | 5 1/4 | 4 1/4 | 5 1/2  | 13/32 | 17.12 | 12.84 | 29.26 | 13.56 | 205           |
|            |      |        | 241  | 203     | 133   | 108   | 140    | 10    | 435   | 326   | 743   | 344   | 93            |
| 10 HP      | 3500 | 215TC  | 9 1/2  | 8       | 5 1/4 | 4 1/4 | 7      | 13/32 | 17.12 | 12.84 | 29.26 | 13.56 | 201           |
|            |      |        | 241  | 203     | 133   | 108   | 178    | 10    | 435   | 326   | 743   | 344   | 91            |
| 15 HP      | 3500 | 215TC  | 9 1/2  | 8       | 5 1/4 | 4 1/4 | 7      | 13/32 | 17.12 | 12.84 | 29.26 | 13.56 | 241           |
|            |      |        | 241  | 203     | 133   | 108   | 178    | 10    | 435   | 326   | 743   | 344   | 110           |
| 20 HP      | 3500 | 256TC  | 11 1/2   | 11 1/2  | 6 1/4 | 5     | 10     | 17/32 | 17.62 | 12.84 | 32.19 | 14.56 | 368           |
|            |      |        | 292  | 292     | 159   | 127   | 254    | 13    | 448   | 326   | 818   | 370   | 167           |
| 25 HP      | 3500 | 284TSC | 12 3/4   | 12 3/4  | 7     | 5 1/2 | 9 1/2  | 17/32 | 18.01 | 13.25 | 34.72 | 15.31 | 461           |
|            |      |        | 324  | 324     | 178   | 140   | 241    | 13    | 458   | 337   | 882   | 389   | 210           |
| 30 HP      | 3500 | 286TSC | 12 3/4   | 12 3/4  | 7     | 5 1/2 | 11     | 17/32 | 18.01 | 13.25 | 34.72 | 15.31 | 483           |
|            |      |        | 324  | 324     | 178   | 140   | 279    | 13    | 458   | 337   | 882   | 389   | 220           |
| 40 HP      | 3500 | 324TSC | 14 1/2   | 14      | 8     | 6 1/4 | 10 1/2 | 21/32 | 18.01 | 13.25 | 38.40 | 16.31 | 597           |
|            |      |        | 368  | 356     | 203   | 159   | 267    | 17    | 458   | 337   | 975   | 414   | 271           |
| 50 HP      | 3500 | 326TSC | 14 1/2   | 14      | 8     | 6 1/4 | 12     | 21/32 | 18.51 | 13.25 | 38.40 | 16.31 | 706           |
|            |      |        | 368  | 356     | 203   | 159   | 305    | 17    | 470   | 337   | 975   | 414   | 321           |

### MATERIAL SPECIFICATIONS

| PART NAME                | STAINLESS STEEL |
|--------------------------|-----------------|
| Casing, Cover & Impeller | 316L Stainless  |
| Stub Shaft               | 316L Stainless  |
| Adapter                  | 304 Stainless   |



## PUMP CURVES

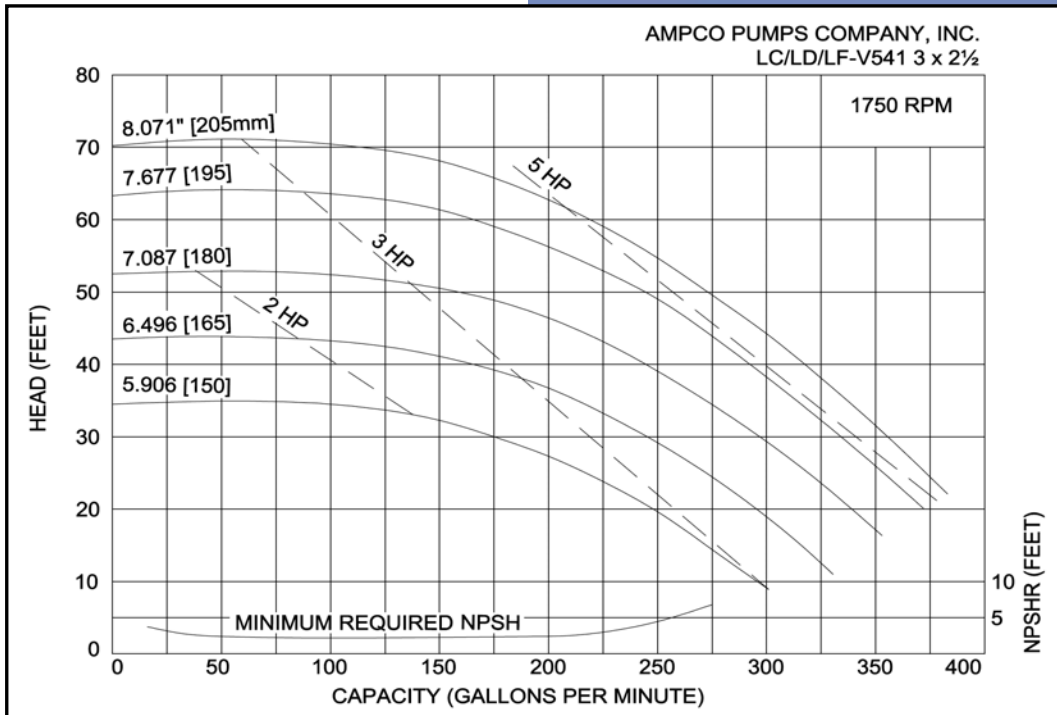
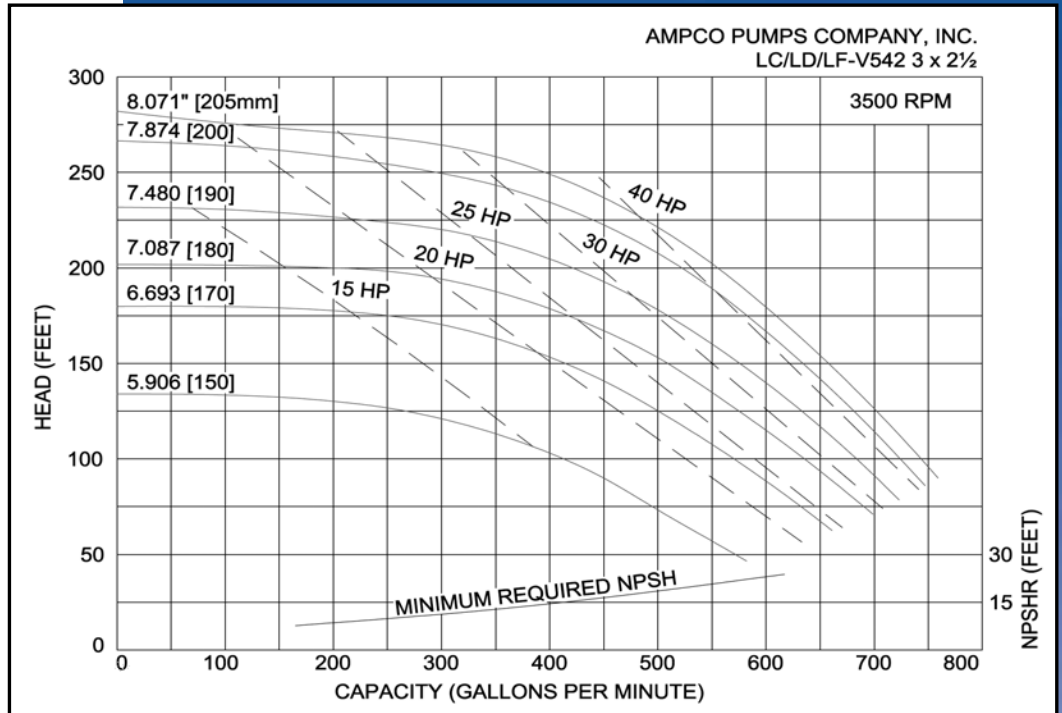
MODEL LF-V541 3 x 2½

MODEL LF-V542 3 x 2½

Curves show approximate characteristics based on clear 68° F water.  
Rated point is guaranteed

LF-Series pumps have standard stainless steel adapters and silicon carbide vs. carbon seals.

# Ampco Centrifugal Pumps



LF pumps are in conformance with 3A sanitary standards for centrifugal and positive rotary pumps for milk and milk products, Number 02-10.

LF-Series pumps have a standard 32RA (150 grit) finish, on all product contact surfaces.

## Ampco Pumps Company

2045 West Mill Road  
Glendale, Wisconsin 53209  
PHONE (414) 643-1852  
FAX (414) 643-4452

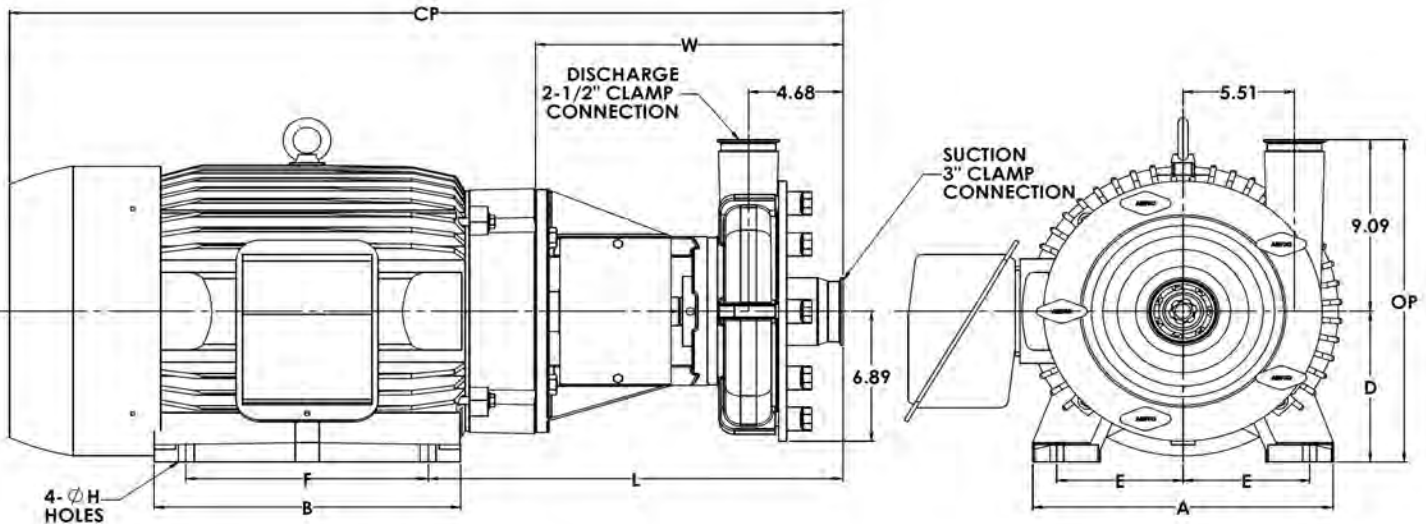
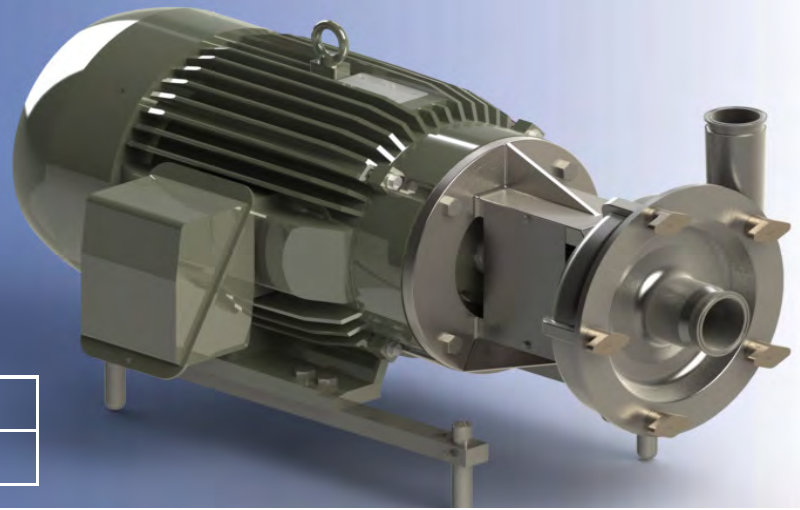
LF-V541/V542 3X2.5 01/11

# Ampco Centrifugal Pumps

## DATA SHEET

MODEL LF-V551 3 x 2 1/2

MODEL LF-V552 3 x 2 1/2



| TEFC MOTOR |      |        | DIMENSIONS IN INCHES<br>MILLIMETERS (For Reference Only) |         |       |       |        |       |       |       |       |       | APPROX WEIGHT |
|------------|------|--------|--|---------|-------|-------|--------|-------|-------|-------|-------|-------|---------------|
| HP         | RPM  | FRAME  | A (typ)  | B (typ) | D     | E     | F      | ØH    | L     | W     | CP    | OP    | LBS<br>Kg     |
| 5          | 1750 | 184TC  | 8 5/8  | 6 1/2   | 4 1/2 | 3 3/4 | 5 1/2  | 13/32 | 16.43 | 13.03 | 26.74 | 13.59 | 199           |
|            |      |        | 219  | 165     | 114   | 95    | 140    | 10    | 417   | 331   | 679   | 345   | 90            |
| 7 1/2 HP   | 1750 | 213TC  | 9 1/2  | 8       | 5 1/4 | 4 1/4 | 5 1/2  | 13/32 | 17.31 | 13.03 | 29.44 | 14.34 | 249           |
|            |      |        | 241  | 203     | 133   | 108   | 140    | 10    | 440   | 331   | 748   | 364   | 113           |
| 10 HP      | 1750 | 215TC  | 9 1/2  | 8       | 5 1/4 | 4 1/4 | 7      | 13/32 | 17.31 | 13.03 | 29.44 | 14.34 | 259           |
|            |      |        | 241  | 203     | 133   | 108   | 178    | 10    | 440   | 331   | 748   | 364   | 118           |
| 15 HP      | 1750 | 254TC  | 11 1/2   | 11 1/2  | 6 1/4 | 5     | 8 1/4  | 17/32 | 17.81 | 13.03 | 32.38 | 15.34 | 371           |
|            |      |        | 292  | 292     | 159   | 127   | 210    | 13    | 452   | 331   | 822   | 390   | 169           |
| 20 HP      | 1750 | 256TC  | 11 1/2   | 11 1/2  | 6 1/4 | 5     | 10     | 17/32 | 17.81 | 13.03 | 32.38 | 15.34 | 394           |
|            |      |        | 292  | 292     | 159   | 127   | 254    | 13    | 452   | 331   | 822   | 390   | 179           |
| 25 HP      | 3500 | 284TSC | 12 3/4   | 12 3/4  | 7     | 5 1/2 | 9 1/2  | 17/32 | 18.29 | 13.53 | 35.00 | 16.09 | 483           |
|            |      |        | 324  | 324     | 178   | 140   | 241    | 13    | 465   | 344   | 889   | 409   | 220           |
| 30 HP      | 3500 | 286TSC | 12 3/4   | 12 3/4  | 7     | 5 1/2 | 11     | 17/32 | 18.29 | 13.53 | 35.00 | 16.09 | 505           |
|            |      |        | 324  | 324     | 178   | 140   | 279    | 13    | 465   | 344   | 889   | 409   | 230           |
| 40 HP      | 3500 | 324TSC | 14 1/2   | 14      | 8     | 6 1/4 | 10 1/2 | 21/32 | 20.47 | 15.21 | 40.36 | 17.09 | 619           |
|            |      |        | 368  | 356     | 203   | 159   | 267    | 17    | 520   | 386   | 1025  | 434   | 281           |
| 50 HP      | 3500 | 326TSC | 14 1/2   | 14      | 8     | 6 1/4 | 12     | 21/32 | 20.47 | 15.21 | 40.36 | 17.09 | 728           |
|            |      |        | 368  | 356     | 203   | 159   | 305    | 17    | 520   | 386   | 1025  | 434   | 331           |
| 75 HP      | 3500 | 365TSC | 17   | 15      | 9     | 7     | 12 1/4 | 21/32 | 21.10 | 15.21 | 42.59 | 18.09 | 728           |
|            |      |        | 432  | 381     | 229   | 178   | 311    | 17    | 536   | 386   | 1082  | 460   | 331           |

### MATERIAL SPECIFICATIONS

| PART NAME                | STAINLESS STEEL |
|--------------------------|-----------------|
| Casing, Cover & Impeller | 316L Stainless  |
| Stub Shaft               | 316L Stainless  |
| Adapter                  | 304 Stainless   |

## PUMP CURVES

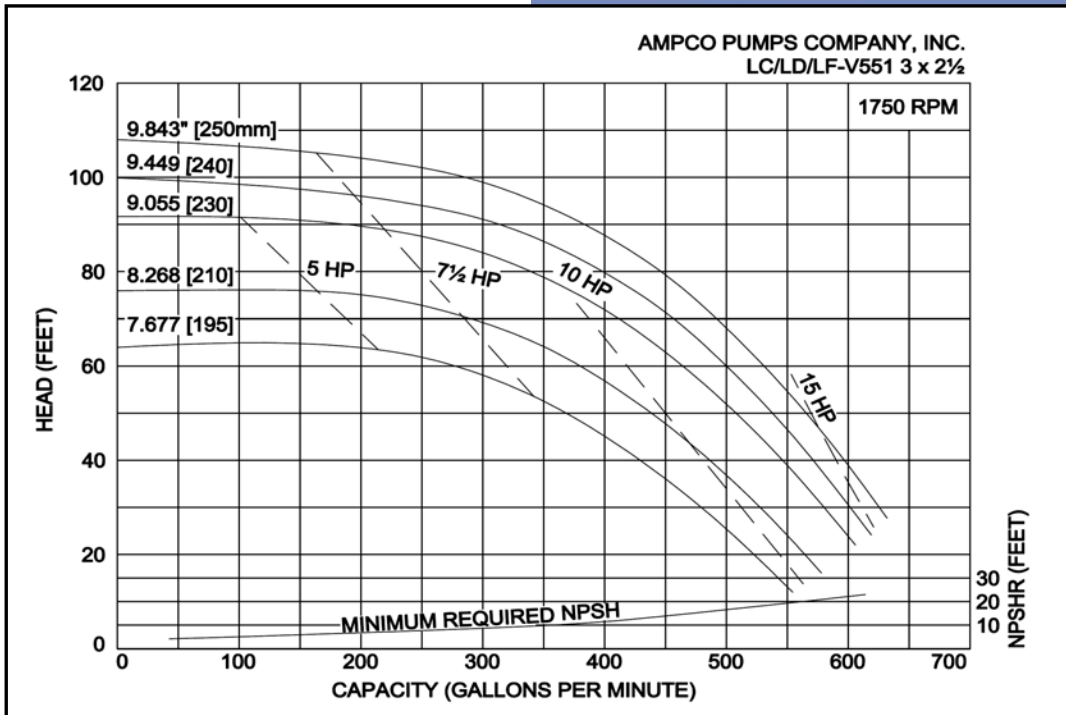
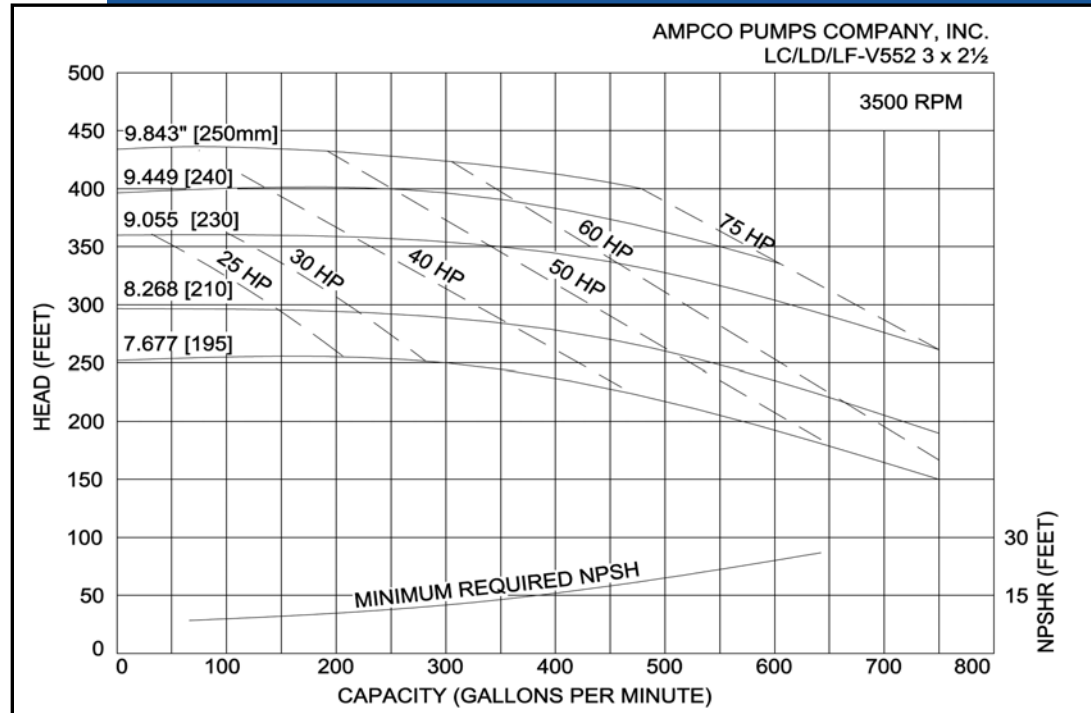
MODEL LF-V551 3 x 2½

MODEL LF-V552 3 x 2½

Curves show approximate characteristics based on clear 68° F water.  
Rated point is guaranteed

LF-Series pumps have standard stainless steel adapters and silicon carbide vs. carbon seals.

# Ampco Centrifugal Pumps



LF pumps are in conformance with 3A sanitary standards for centrifugal and positive rotary pumps for milk and milk products, Number 02-10.

LF-Series pumps have a standard 32RA (150 grit) finish, on all product contact surfaces.

## Ampco Pumps Company

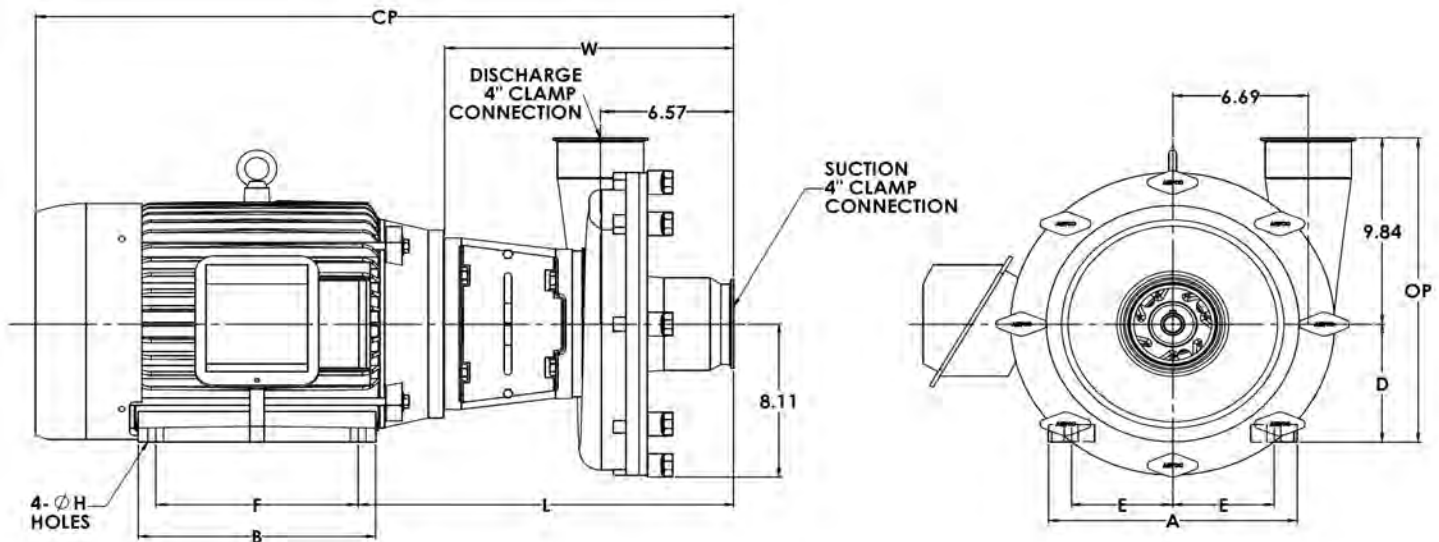
2045 West Mill Road  
Glendale, Wisconsin 53209  
PHONE (414) 643-1852  
FAX (414) 643-4452

LF-V551/552 3X2.5 01/11

# Ampco Centrifugal Pumps

DATA SHEET

MODEL LF-X051 4 x 4



| TEFC MOTOR |      |       | DIMENSIONS IN INCHES<br>MILLIMETERS (For Reference Only) |         |       |       |       |       |       |       |       |       | APPROX WEIGHT |
|------------|------|-------|--|---------|-------|-------|-------|-------|-------|-------|-------|-------|---------------|
| HP         | RPM  | FRAME | A (typ)  | B (typ) | D     | E     | F     | ØH    | L     | W     | CP    | OP    | LBS<br>Kg     |
| 7½ HP      | 1750 | 213TC | 9 1/2  | 8       | 5 1/4 | 4 1/4 | 5 1/2 | 13/32 | 18.54 | 14.26 | 30.68 | 15.09 | 300           |
|            |      |       | 241  | 203     | 133   | 108   | 140   | 10    | 471   | 362   | 779   | 383   | 136           |
| 10 HP      | 1750 | 215TC | 9 1/2  | 8       | 5 1/4 | 4 1/4 | 7     | 13/32 | 18.54 | 14.26 | 30.68 | 15.09 | 310           |
|            |      |       | 241  | 203     | 133   | 108   | 178   | 10    | 471   | 362   | 779   | 383   | 141           |
| 15HP       | 1750 | 254TC | 11 1/2   | 11 1/2  | 6 1/4 | 5     | 8 1/4 | 17/32 | 19.04 | 14.26 | 33.61 | 16.09 | 424           |
|            |      |       | 292  | 292     | 159   | 127   | 210   | 13    | 484   | 362   | 854   | 409   | 193           |
| 20 HP      | 1750 | 256TC | 11 1/2   | 11 1/2  | 6 1/4 | 5     | 10    | 17/32 | 19.04 | 14.26 | 33.61 | 16.09 | 445           |
|            |      |       | 292  | 292     | 159   | 127   | 254   | 13    | 484   | 362   | 854   | 409   | 202           |
| 25 HP      | 1750 | 284TC | 12 3/4   | 12 3/4  | 7     | 5 1/2 | 9 1/2 | 17/32 | 19.53 | 14.77 | 36.24 | 16.84 | 578           |
|            |      |       | 324  | 324     | 178   | 140   | 241   | 13    | 496   | 375   | 920   | 428   | 263           |

## MATERIAL SPECIFICATIONS

| PART NAME                | STAINLESS STEEL |
|--------------------------|-----------------|
| Casing, Cover & Impeller | 316L Stainless  |
| Stub Shaft               | 316L Stainless  |
| Adapter                  | 304 Stainless   |

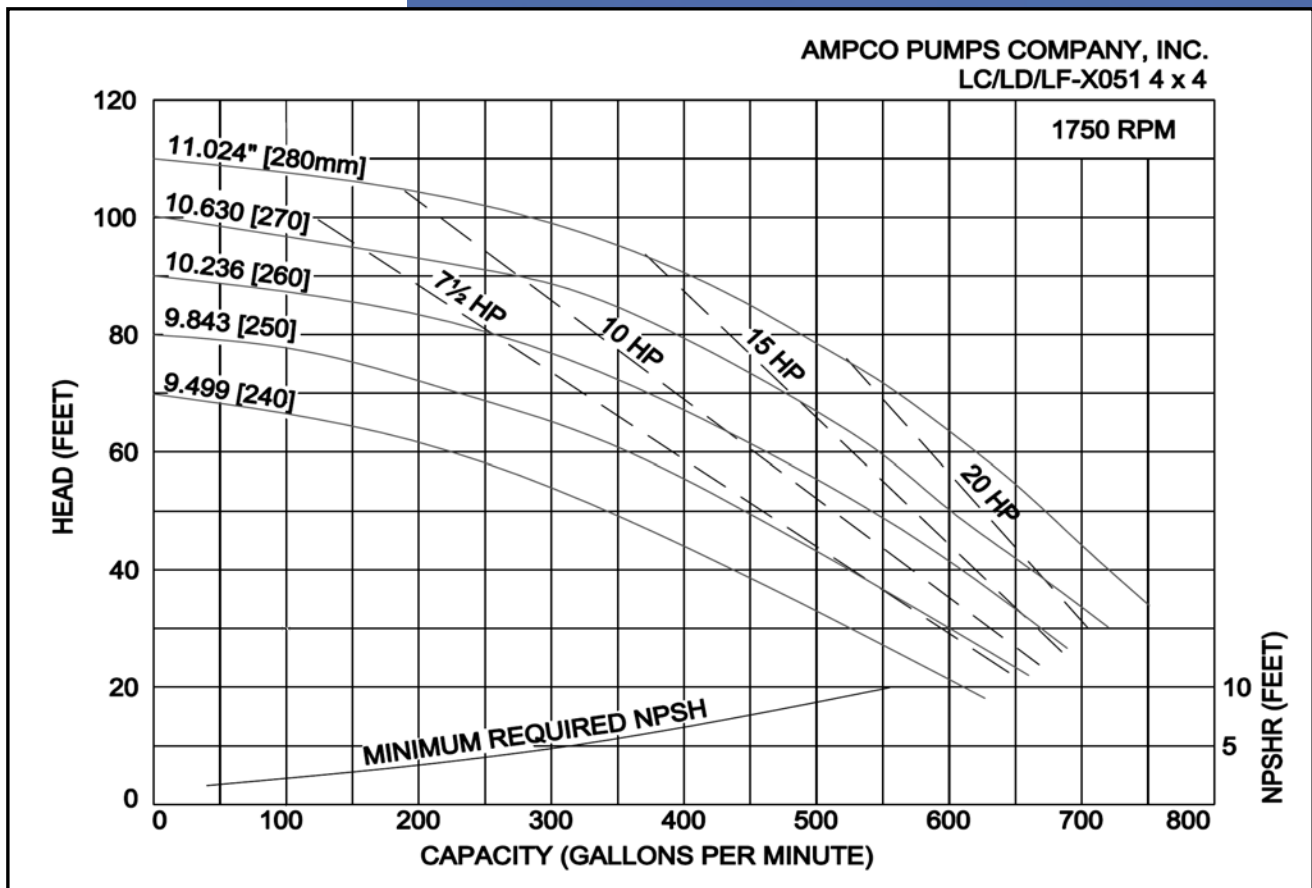
# Ampco Centrifugal Pumps

PUMP CURVE

MODEL LF-X051 4 x 4

Curves show approximate characteristics based on clear 68° F water.  
Rated point is guaranteed

LF-Series pumps have standard stainless steel adapters and silicon carbide vs. carbon seals.



LF pumps are in conformance with 3A sanitary standards for centrifugal and positive rotary pumps for milk and milk products, Number 02-10.

LF-Series pumps have a standard 32RA (150 grit) finish, on all product contact surfaces.

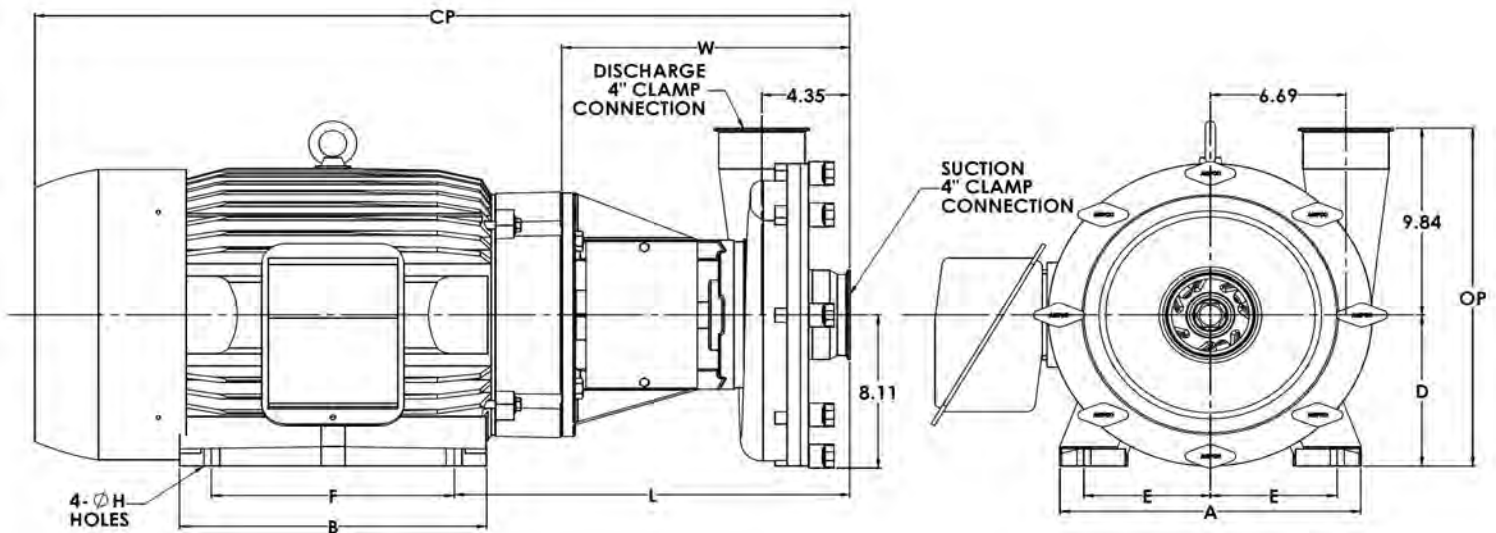
## AmpcoPumps Company

2045 West Mill Road-Glendale, Wisconsin 53209-PHONE (414) 643-1852-FAX (414) 643-4452

# Ampco Centrifugal Pumps

DATA SHEET

MODEL LF-X161 4 x 4



| TEFC MOTOR |      |       | DIMENSIONS IN INCHES<br>MILLIMETERS (For Reference Only) |         |       |       |        |       |       |       |       |       | APPROX WEIGHT |
|------------|------|-------|--|---------|-------|-------|--------|-------|-------|-------|-------|-------|---------------|
| HP         | RPM  | FRAME | A (typ)  | B (typ) | D     | E     | F      | ØH    | L     | W     | CP    | OP    | LBS<br>Kg     |
| 15 HP      | 1750 | 254TC | 11 1/2   | 11 1/2  | 6 1/4 | 5     | 8 1/4  | 17/32 | 16.82 | 12.04 | 31.39 | 16.09 | 426           |
|            |      |       | 292  | 292     | 159   | 127   | 210    | 13    | 427   | 306   | 797   | 409   | 194           |
| 20 HP      | 1750 | 256TC | 11 1/2   | 11 1/2  | 6 1/4 | 5     | 10     | 17/32 | 16.82 | 12.04 | 31.39 | 16.09 | 447           |
|            |      |       | 292  | 292     | 159   | 127   | 254    | 13    | 427   | 306   | 797   | 409   | 203           |
| 25 HP      | 1750 | 284TC | 12 3/4   | 12 3/4  | 7     | 5 1/2 | 9 1/2  | 17/32 | 17.31 | 12.55 | 34.02 | 16.84 | 580           |
|            |      |       | 324  | 324     | 178   | 140   | 241    | 13    | 440   | 319   | 864   | 428   | 264           |
| 30 HP      | 1750 | 286TC | 12 3/4   | 12 3/4  | 7     | 5 1/2 | 11     | 17/32 | 17.31 | 12.55 | 34.02 | 16.84 | 591           |
|            |      |       | 324  | 324     | 178   | 140   | 279    | 13    | 440   | 319   | 864   | 428   | 269           |
| 40 HP      | 1750 | 324TC | 14 1/2   | 14      | 8     | 6 1/4 | 10 1/2 | 21/32 | 19.49 | 14.23 | 39.38 | 17.84 | 780           |
|            |      |       | 368  | 356     | 203   | 159   | 267    | 17    | 495   | 361   | 1000  | 453   | 355           |
| 50 HP      | 1750 | 326TC | 14 1/2   | 14      | 8     | 6 1/4 | 12     | 21/32 | 19.49 | 14.23 | 39.38 | 17.84 | 765           |
|            |      |       | 368  | 356     | 203   | 159   | 305    | 17    | 495   | 361   | 1000  | 453   | 348           |

## MATERIAL SPECIFICATIONS

| PART NAME                | STAINLESS STEEL |
|--------------------------|-----------------|
| Casing, Cover & Impeller | 316L Stainless  |
| Stub Shaft               | 316L Stainless  |
| Adapter                  | 304 Stainless   |

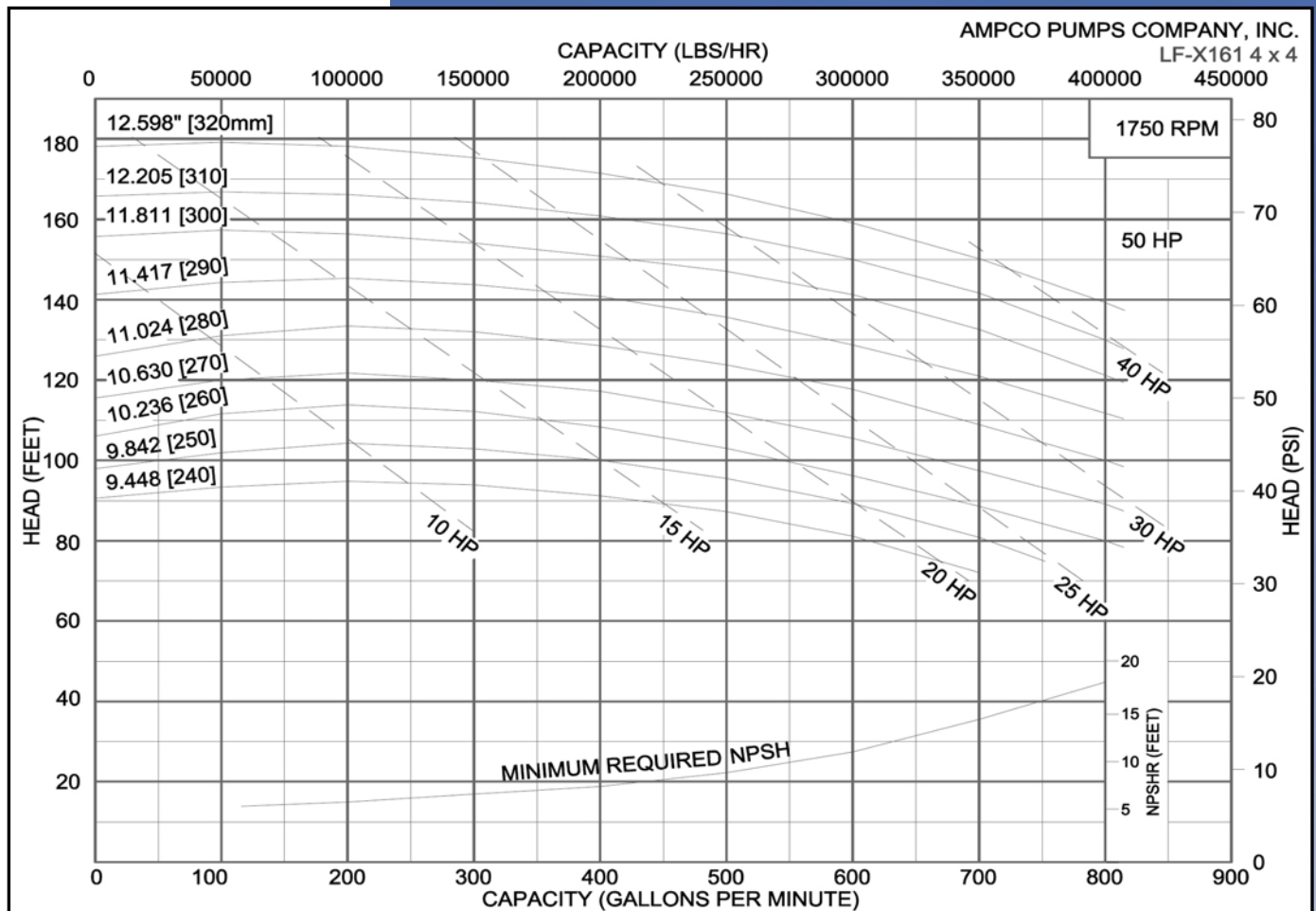
# Ampco Centrifugal Pumps

PUMP CURVE

MODEL LF-X161 4 x 4

Curves show approximate characteristics based on clear 68° F water.  
Rated point is guaranteed

LF-Series pumps have standard stainless steel adapters and silicon carbide vs. carbon seals.



LF pumps are in conformance with 3A sanitary standards for centrifugal and positive rotary pumps for milk and milk products, Number 02-10.

LF-Series pumps have a standard 32RA (150 grit) finish, on all product contact surfaces.

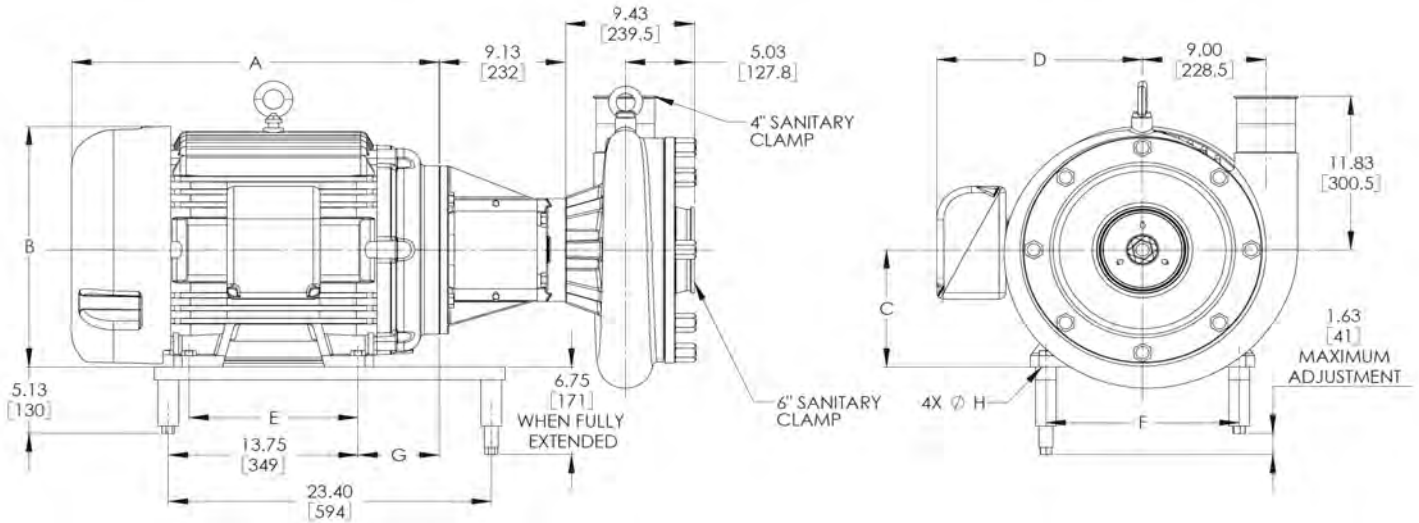
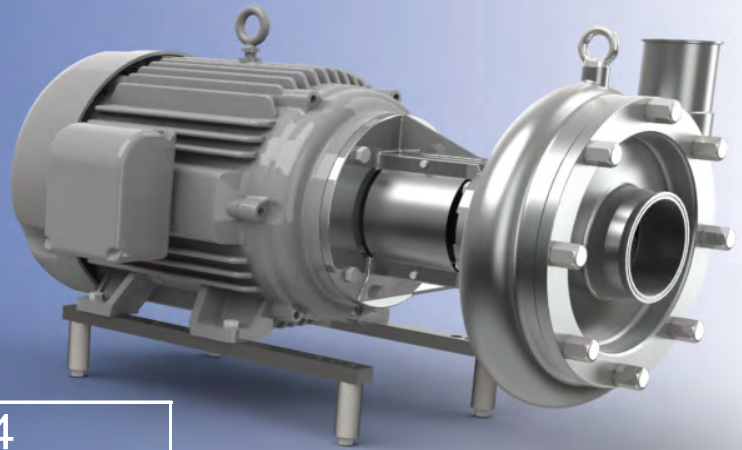
## AmpcoPumps Company

2045 West Mill Road-Glendale, Wisconsin 53209-PHONE (414) 643-1852-FAX (414) 643-4452

# Ampco Centrifugal Pumps

## DATA SHEET

### MODEL LF-401 6 x 4



LEG KIT OPTIONAL

| MOTOR HP<br>1750 RPM | NEMA<br>FRAME | DIMENSIONS IN INCHES (MILLIMETERS) |                |             |                |                 |                |                |                 | APPROX<br>WEIGHT<br>LBS (Kg)<br>std. eff. |
|----------------------|---------------|------------------------------------|----------------|-------------|----------------|-----------------|----------------|----------------|-----------------|---|
|                      |               | A                                  | B              | C           | D              | E               | F              | G              | ØH              |   |
| 40 HP                | 324TC         | 25.14<br>(639)                     | 15.44<br>(392) | 7<br>(203)  | 13.74<br>(349) | 10-1/2<br>(267) | 6-1/4<br>(159) | 5-1/4<br>(133) | 21/32<br>(16.5) | 810<br>(370)                              |
| 50 HP                | 326TC         | 25.14<br>(639)                     | 15.44<br>(392) | 8<br>(203)  | 13.74<br>(349) | 12<br>(305)     | 6-1/4<br>(159) | 5-1/4<br>(133) | 21/32<br>(16.5) | 790<br>(360)                              |
| 60 HP                | 364TC         | 26.97<br>(685)                     | 18.38<br>(467) | 8<br>(229)  | 14.95<br>(380) | 11-1/4<br>(286) | 6<br>(178)     | 5-7/8<br>(149) | 21/32<br>(16.5) | 990<br>(450)                              |
| 75 HP                | 365TC         | 26.97<br>(685)                     | 18.38<br>(467) | 9<br>(229)  | 14.95<br>(380) | 12-1/4<br>(311) | 7<br>(178)     | 5-7/8<br>(149) | 21/32<br>(16.5) | 1030<br>(468)                             |
| 100 HP               | 405TC         | 30.56<br>(776)                     | 21.31<br>(241) | 10<br>(254) | 19.25<br>(489) | 13-3/4<br>(349) | 8<br>(203)     | 6-5/8<br>(168) | 13/16<br>(20.6) | 1520<br>(690)                             |

### MATERIAL SPECIFICATIONS

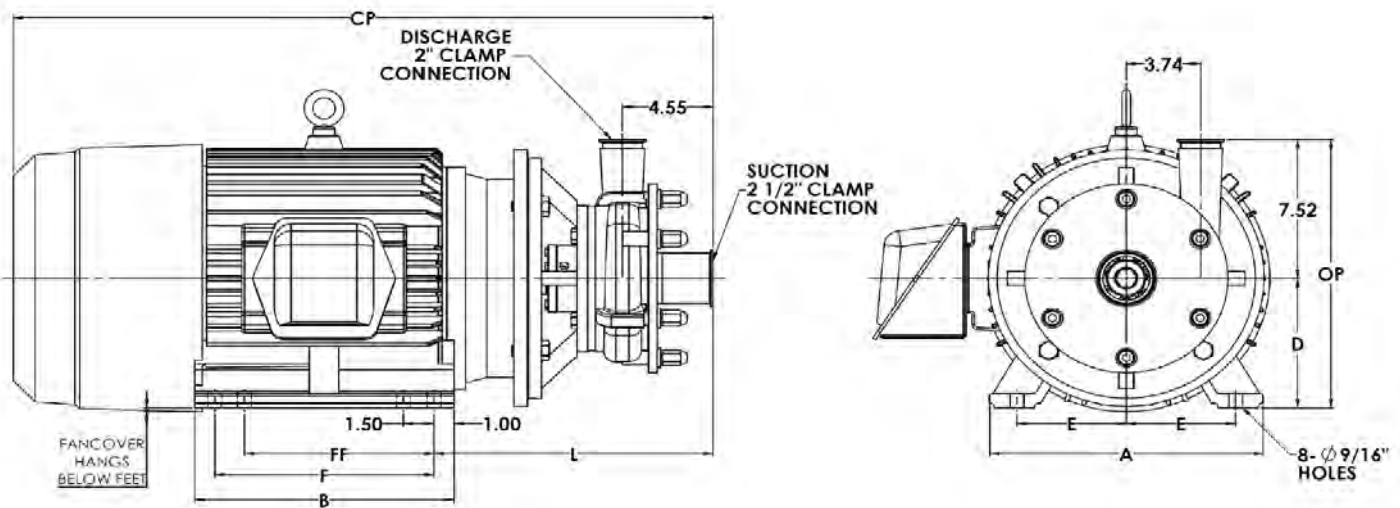
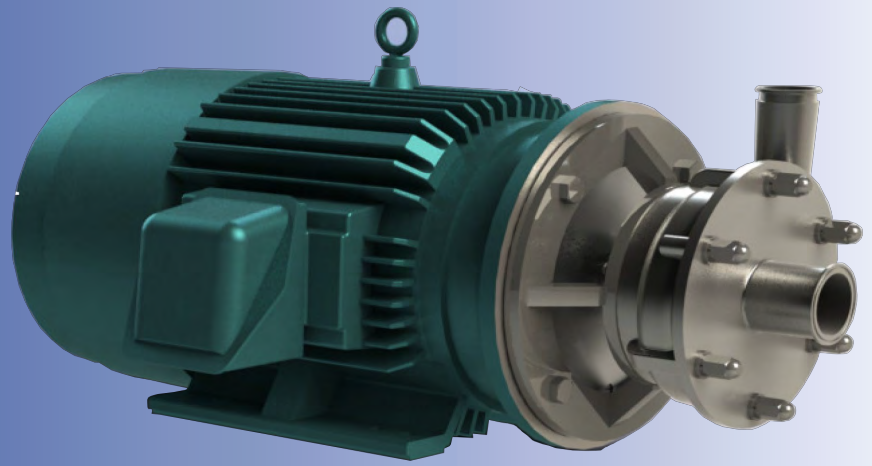
| PART NAME                | STAINLESS STEEL |
|--------------------------|-----------------|
| Casing, Cover & Impeller | 316L Stainless  |
| Stub Shaft               | 316L Stainless  |
| Adapter                  | 304 Stainless   |



# Ampco Centrifugal Pumps

## DATA SHEET

MODEL LH-V532 2½ X 2



| TEFC MOTOR |      |       | DIMENSIONS IN INCHES<br>MILLIMETERS (For Reference Only) |         |     |       |       |     |      |       |       |       | APPROX WEIGHT |
|------------|------|-------|--|---------|-----|-------|-------|-----|------|-------|-------|-------|---------------|
| HP         | RPM  | FRAME | A (typ)  | B (typ) | D   | E     | FF    | F   | ØH   | L     | CP    | OP    | LBS<br>Kg     |
| 15         | 3500 | 284JM | 13 3/4   | 13      | 7   | 5 1/2 | 9 1/2 | 11  | 9/16 | 14.19 | 35.31 | 14.51 | 542           |
|            |      |       | 349  | 330     | 178 | 140   | 241   | 279 | 14   | 360   | 897   | 369   | 246           |
| 20         | 3500 | 284JM | 13 3/4   | 13      | 7   | 5 1/2 | 9 1/2 | 11  | 9/16 | 14.19 | 35.31 | 14.51 | 542           |
|            |      |       | 349  | 330     | 178 | 140   | 241   | 279 | 14   | 360   | 897   | 369   | 246           |
| 25         | 3500 | 284JM | 13 3/4   | 13      | 7   | 5 1/2 | 9 1/2 | 11  | 9/16 | 14.19 | 35.31 | 14.51 | 542           |
|            |      |       | 349  | 330     | 178 | 140   | 241   | 279 | 14   | 360   | 897   | 369   | 246           |

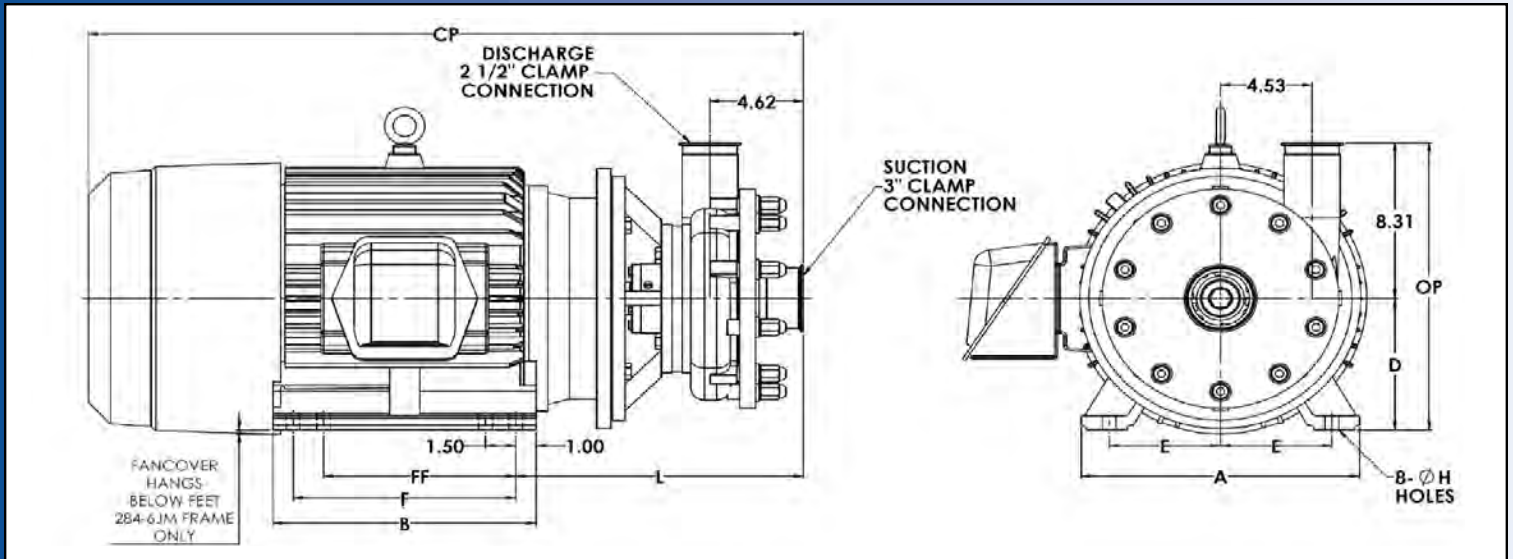
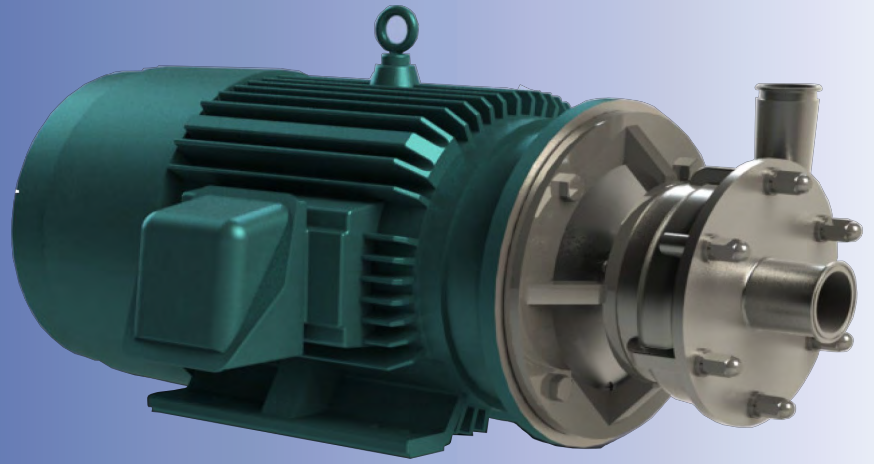
## MATERIAL SPECIFICATIONS

| PART NAME                | STAINLESS STEEL |
|--------------------------|-----------------|
| Casing, Cover & Impeller | 316L Stainless  |
| Shaft Sleeve             | 316L Stainless  |
| Adapter                  | 304 Stainless   |

# Ampco Centrifugal Pumps

## DATA SHEET

MODEL LH-V542 3 x 2½



| TEFC MOTOR |      |       | DIMENSIONS IN INCHES<br>MILLIMETERS (For Reference Only) |         |     |       |        |     |       |       |       |       | APPROX WEIGHT |
|------------|------|-------|--|---------|-----|-------|--------|-----|-------|-------|-------|-------|---------------|
| HP         | RPM  | FRAME | A (typ)  | B (typ) | D   | E     | FF     | F   | ØH    | L     | CP    | OP    | LBS<br>Kg     |
| 15         | 3500 | 284JM | 13 3/4   | 13      | 7   | 5 1/2 | 9 1/2  | 11  | 9/16  | 15.69 | 36.81 | 15.30 | 565           |
|            |      |       | 349  | 330     | 178 | 140   | 241    | 279 | 14    | 398   | 935   | 389   | 257           |
| 20         | 3500 | 284JM | 13 3/4   | 13      | 7   | 5 1/2 | 9 1/2  | 11  | 9/16  | 15.69 | 36.81 | 15.30 | 565           |
|            |      |       | 349  | 330     | 178 | 140   | 241    | 279 | 14    | 398   | 935   | 389   | 257           |
| 25         | 3500 | 284JM | 13 3/4   | 13      | 7   | 5 1/2 | 9 1/2  | 11  | 9/16  | 15.69 | 36.81 | 15.30 | 565           |
|            |      |       | 349  | 330     | 178 | 140   | 241    | 279 | 14    | 398   | 935   | 389   | 257           |
| 30         | 3500 | 286JM | 13 3/4   | 13      | 7   | 5 1/2 | 9 1/2  | 11  | 9/16  | 15.69 | 36.81 | 15.30 | 580           |
|            |      |       | 349  | 330     | 178 | 140   | 241    | 279 | 14    | 398   | 935   | 389   | 264           |
| 40         | 3500 | 324JM | 15 1/2   | 14 3/4  | 8   | 6 1/4 | 10 1/2 | 12  | 11/16 | 14.70 | 34.64 | 16.31 | 645           |
|            |      |       | 394  | 375     | 203 | 159   | 267    | 305 | 17    | 373   | 880   | 414   | 293           |
| 50         | 3500 | 326JM | 15 1/2   | 14 3/4  | 8   | 6 1/4 | 10 1/2 | 12  | 11/16 | 14.70 | 34.64 | 16.31 | 685           |
|            |      |       | 394  | 375     | 203 | 159   | 267    | 305 | 17    | 373   | 880   | 414   | 311           |

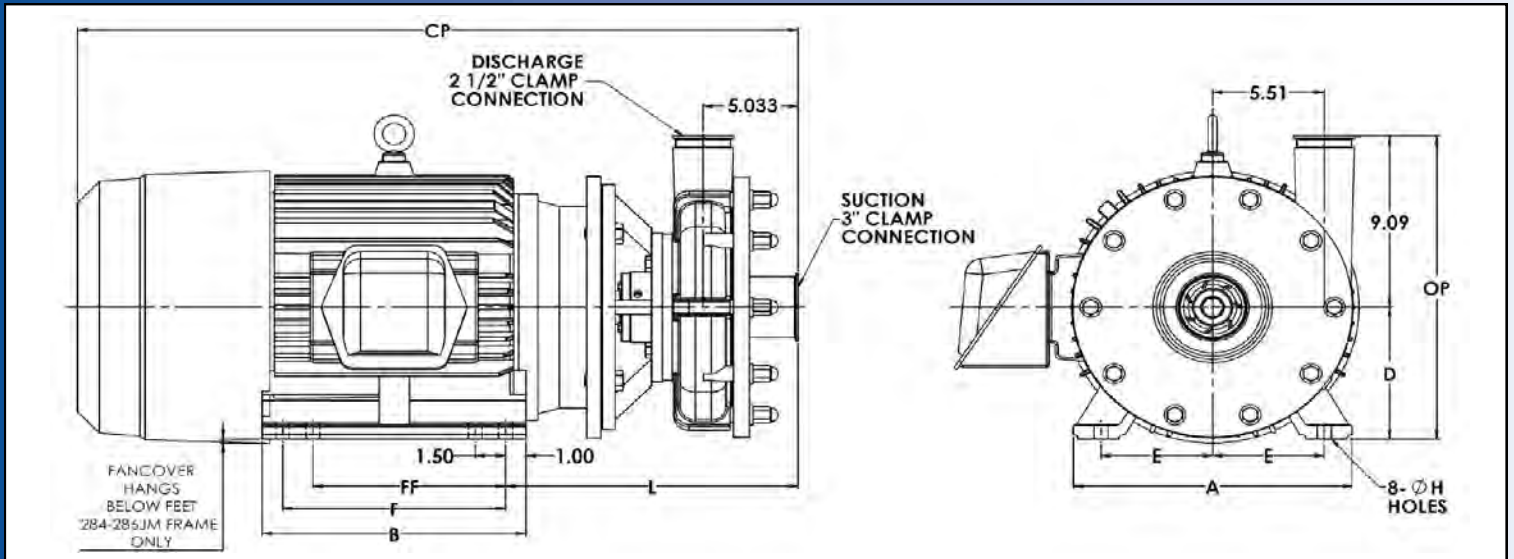
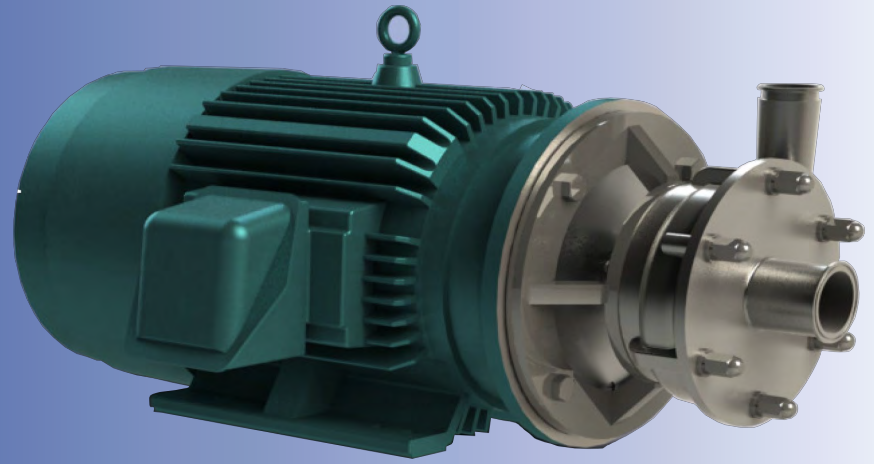
## MATERIAL SPECIFICATIONS

| PART NAME                | STAINLESS STEEL |
|--------------------------|-----------------|
| Casing, Cover & Impeller | 316L Stainless  |
| Shaft Sleeve             | 316L Stainless  |
| Adapter                  | 304 Stainless   |

# Ampco Centrifugal Pumps

## DATA SHEET

MODEL LH-V552 3 x 2½



| TEFC MOTOR |      |       | DIMENSIONS IN INCHES<br>MILLIMETERS (For Reference Only) |         |     |       |        |        |       |       |       |       | APPROX WEIGHT |
|------------|------|-------|--|---------|-----|-------|--------|--------|-------|-------|-------|-------|---------------|
| HP         | RPM  | FRAME | A (typ)  | B (typ) | D   | E     | FF     | F      | ØH    | L     | CP    | OP    | LBS<br>Kg     |
| 25         | 3500 | 284JM | 13-3/4   | 13      | 7   | 5-1/2 | 9-1/2  | 11     | 9/16  | 14.54 | 35.66 | 16.08 | 604           |
|            |      |       | 349  | 330     | 178 | 140   | 241    | 279    | 14    | 369   | 906   | 408   | 275           |
| 30         | 3500 | 286JM | 13-3/4   | 13      | 7   | 5-1/2 | 9-1/2  | 11     | 9/16  | 14.54 | 35.66 | 16.08 | 619           |
|            |      |       | 349  | 330     | 178 | 140   | 241    | 279    | 14    | 369   | 906   | 408   | 275           |
| 40         | 3500 | 324JM | 15-1/2   | 14-3/4  | 8   | 6-1/4 | 10-1/2 | 12     | 11/16 | 15.27 | 35.21 | 17.09 | 684           |
|            |      |       | 394  | 375     | 203 | 159   | 267    | 305    | 17    | 388   | 894   | 434   | 311           |
| 50         | 3500 | 326JM | 15-1/2   | 14-3/4  | 8   | 6-1/4 | 10-1/2 | 12     | 11/16 | 15.27 | 35.21 | 17.09 | 724           |
|            |      |       | 394  | 375     | 203 | 159   | 267    | 305    | 17    | 388   | 894   | 434   | 329           |
| 60         | 3500 | 364JM | 17   | 15      | 9   | 7     | 11-1/4 | 12-1/4 | 11/16 | 15.89 | 37.59 | 18.09 | 1009          |
|            |      |       | 432  | 381     | 229 | 178   | 286    | 311    | 17    | 404   | 955   | 459   | 459           |
| 75         | 3500 | 365JM | 17   | 15      | 9   | 7     | 11-1/4 | 12-1/4 | 11/16 | 15.89 | 37.59 | 18.09 | 1034          |
|            |      |       | 432  | 381     | 229 | 178   | 286    | 311    | 17    | 404   | 955   | 459   | 470           |

### MATERIAL SPECIFICATIONS

| PART NAME                | STAINLESS STEEL |
|--------------------------|-----------------|
| Casing, Cover & Impeller | 316L Stainless  |
| Shaft Sleeve             | 316L Stainless  |
| Adapter                  | 304 Stainless   |