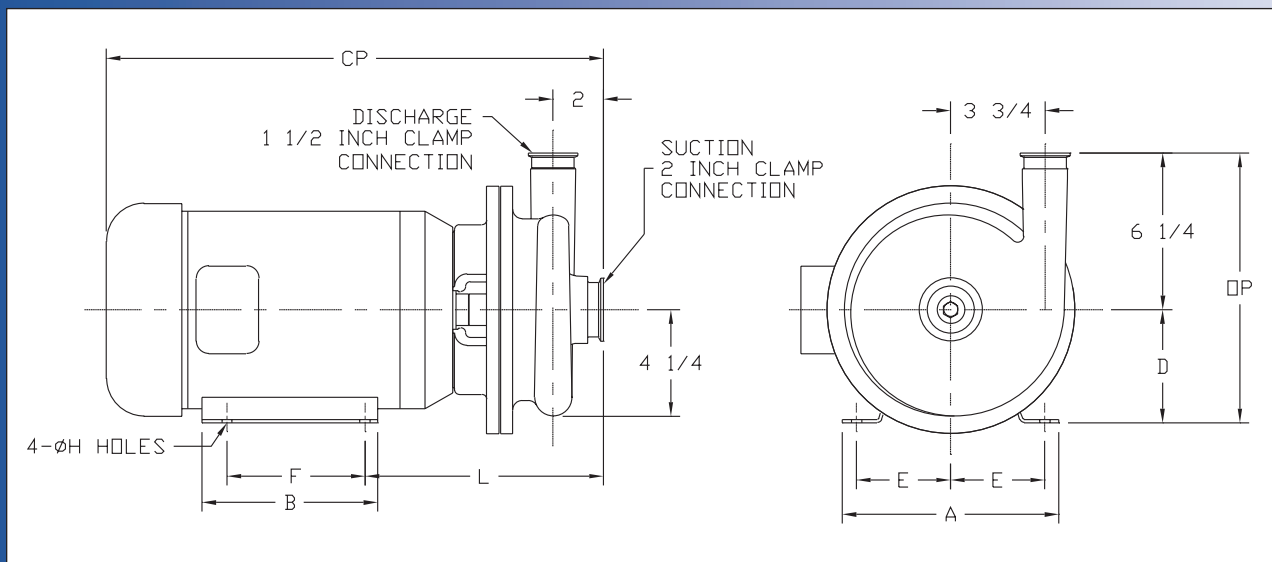
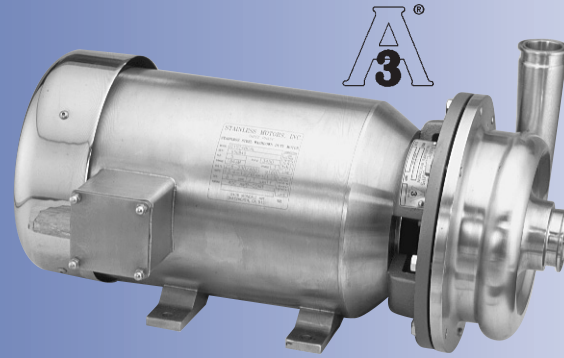


Ampco Centrifugal Pumps

DATA SHEET

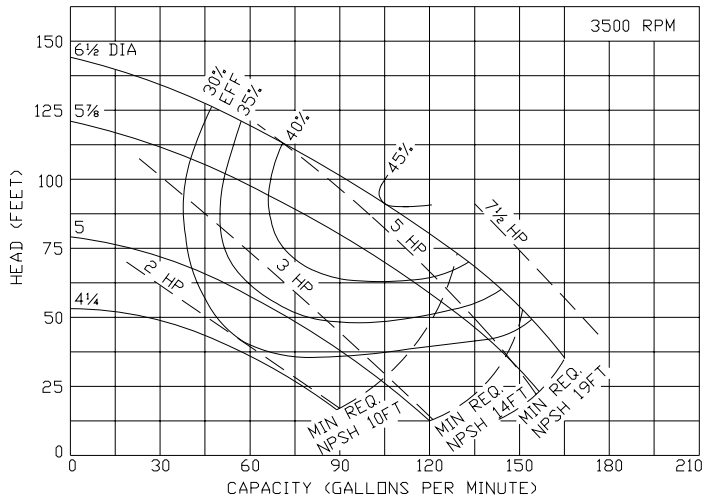
MODEL MC3 2 X 1 1/2



TEFC MOTOR			DIMENSIONS IN INCHES (For Reference Only)									APPROX. WEIGHT (LBS)
HP	RPM	FRAME	A (typ)	B (typ)	D	E	F	H	L	CP	OP	
1	1750	143JM	6-1/2	6	3-1/2	2-3/4	4	11/32	8-29/32	17-7/32	9-3/4	84
1-1/2	1750	145JM	6-1/2	6	3-1/2	2-3/4	5	11/32	8-29/32	17-7/32	9-3/4	88
2	3500	145JM	6-1/2	6	3-1/2	2-3/4	5	11/32	8-29/32	17-7/32	9-3/4	84
3	3500	145JM	6-1/2	6	3-1/2	2-3/4	5	11/32	8-29/32	17-7/32	9-3/4	92
5	3500	184JM	8-5/8	6-1/2	4-1/2	3-3/4	4-1/2	13/32	9-17/32	20-1/8	10-3/4	110
7-1/2	3500	184JM	8-5/8	6-1/2	4-1/2	3-3/4	5-1/2	13/32	9-17/32	21-5/8	10-3/4	129
10	3500	215JM	9-1/2	8	5-1/4	4-1/4	7	13/32	10-17/32	21-5/8	11-1/2	168

MATERIAL SPECIFICATIONS

PART NAME	STAINLESS STEEL
Casing & Cover	316L Stainless
Impeller	316L Stainless
Motor Shaft	Steel
Shaft Sleeve	316L Stainless
Adapter	Cast Iron



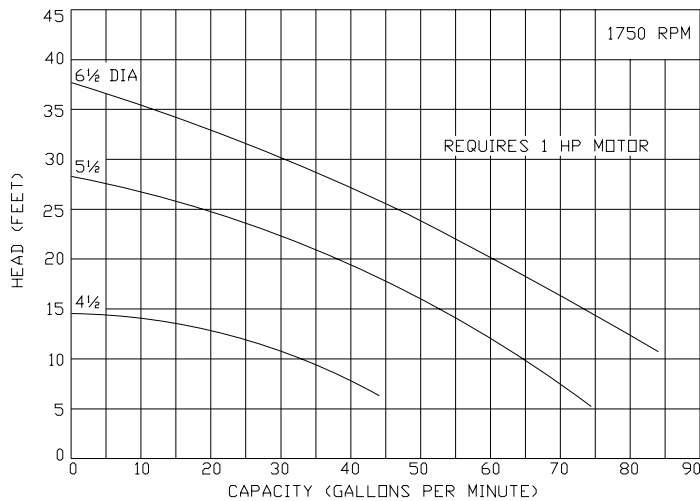
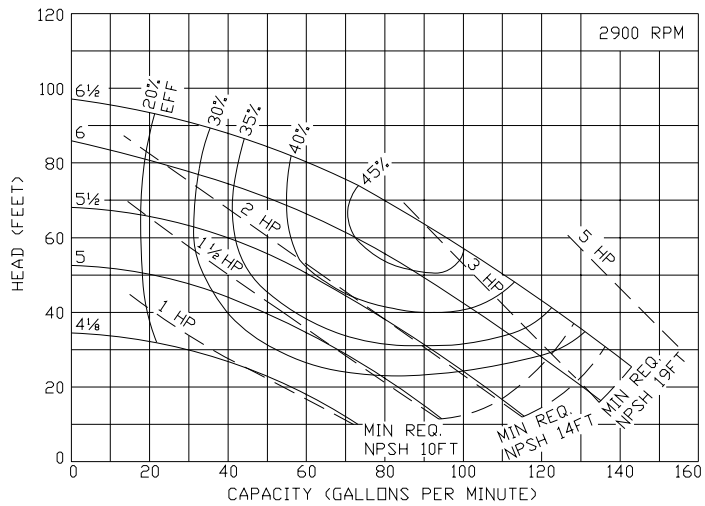
Ampco Centrifugal Pumps

MODEL MC3 2 X 1 1/2

Curves show approximate characteristics based on clear 68° water. Rated point is guaranteed.

MC3/MCH3 pumps are in conformance with 3A sanitary standards for centrifugal pumps for milk and milk products, Number 02-09.

Standard M Series pumps have a 32RA (150 grit) finish, on all product contact surfaces.



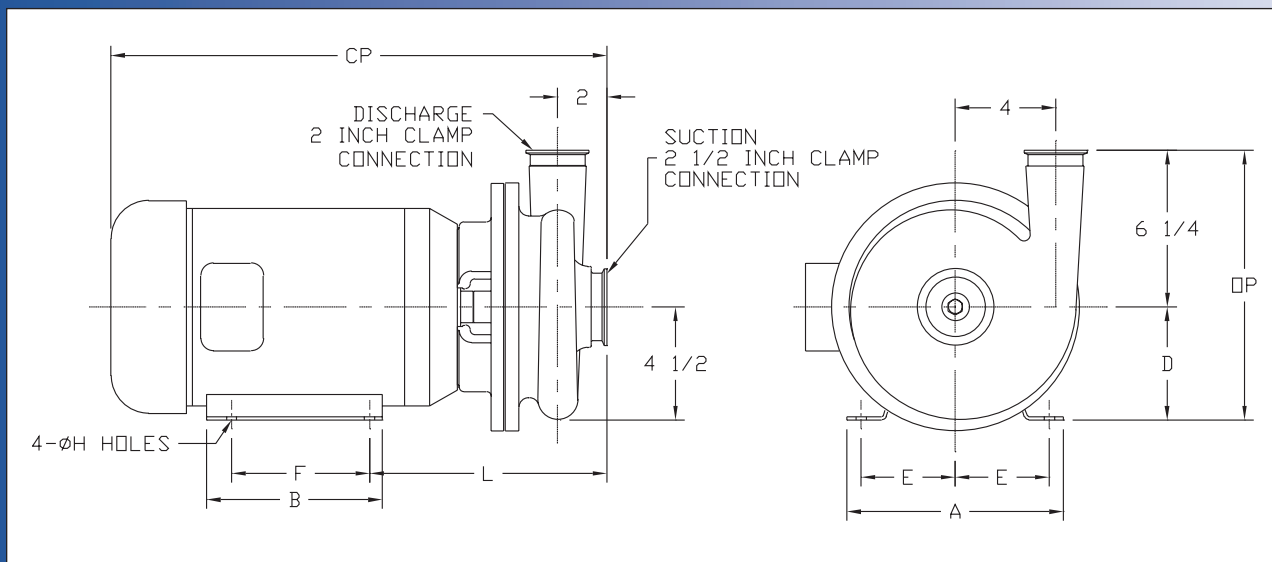
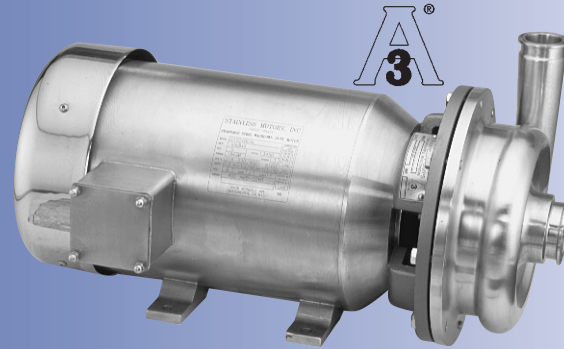
Ampco Pumps Company

4424 West Mitchell Street
 Milwaukee, Wisconsin 53214
 PHONE (414) 643-1852
 FAX (414) 643-4452

Ampco Centrifugal Pumps

DATA SHEET

MODEL MC3 2 1/2 X 2



TEFC MOTOR			DIMENSIONS IN INCHES (For Reference Only)									APPROX. WEIGHT (LBS)
HP	RPM	FRAME	A (typ)	B (typ)	D	E	F	H	L	CP	OP	
1	1750	143JM	6-1/2	6	3-1/2	2-3/4	4	11/32	8-7/8	17-3/16	9-3/4	88
1-1/2	1750	145JM	6-1/2	6	3-1/2	2-3/4	5	11/32	8-7/8	17-3/16	9-3/4	92
2	1750	145JM	6-1/2	6	3-1/2	2-3/4	5	11/32	8-7/8	17-3/16	9-3/4	97
2	3500	145JM	6-1/2	6	3-1/2	2-3/4	5	11/32	8-7/8	17-3/16	9-3/4	97
3	3500	145JM	6-1/2	6	3-1/2	2-3/4	5	11/32	8-7/8	17-3/16	9-3/4	100
5	3500	184JM	8-5/8	6-1/2	4-1/2	3-3/4	4-1/2	13/32	9-1/2	20-3/32	10-3/4	126
7-1/2	3500	184JM	8-5/8	6-1/2	4-1/2	3-3/4	5-1/2	13/32	9-1/2	21-19/32	10-3/4	145
10	3500	215JM	9-1/2	8	5-1/4	4-1/4	7	13/32	10-1/2	21-19/32	11-1/2	184
15	3500	215JM	9-1/2	8	5-1/4	4-1/4	7	13/32	10-1/2	22-23/32	11-1/2	207

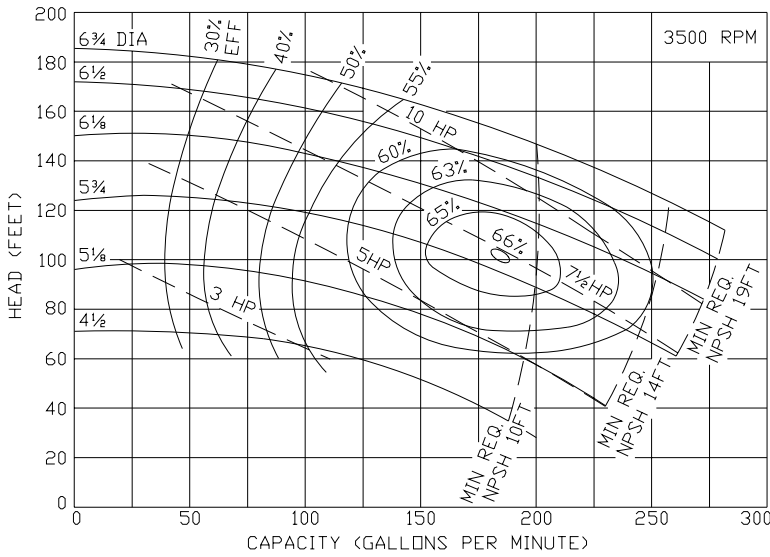
MATERIAL SPECIFICATIONS

PART NAME	STAINLESS STEEL
Casing & Cover	316L Stainless
Impeller	316L Stainless
Motor Shaft	Steel
Shaft Sleeve	316L Stainless
Adapter	Cast Iron

Ampco Centrifugal Pumps

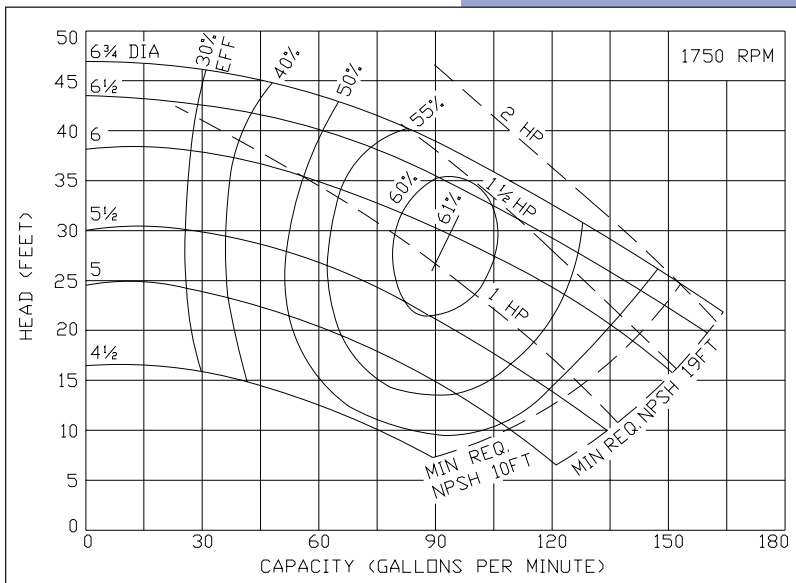
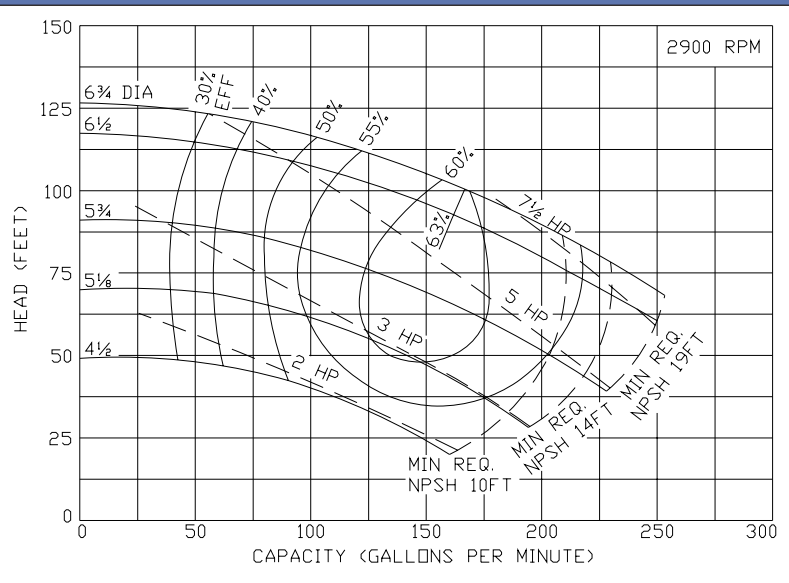
MODEL MC3 2 1/2 X 2

Curves show approximate characteristics based on clear 68° water. Rated point is guaranteed.



MC3/MCH3 pumps are in conformance with 3A sanitary standards for centrifugal pumps for milk and milk products, Number 02-09.

Standard M Series pumps have a 32RA (150 grit) finish, on all product contact surfaces.



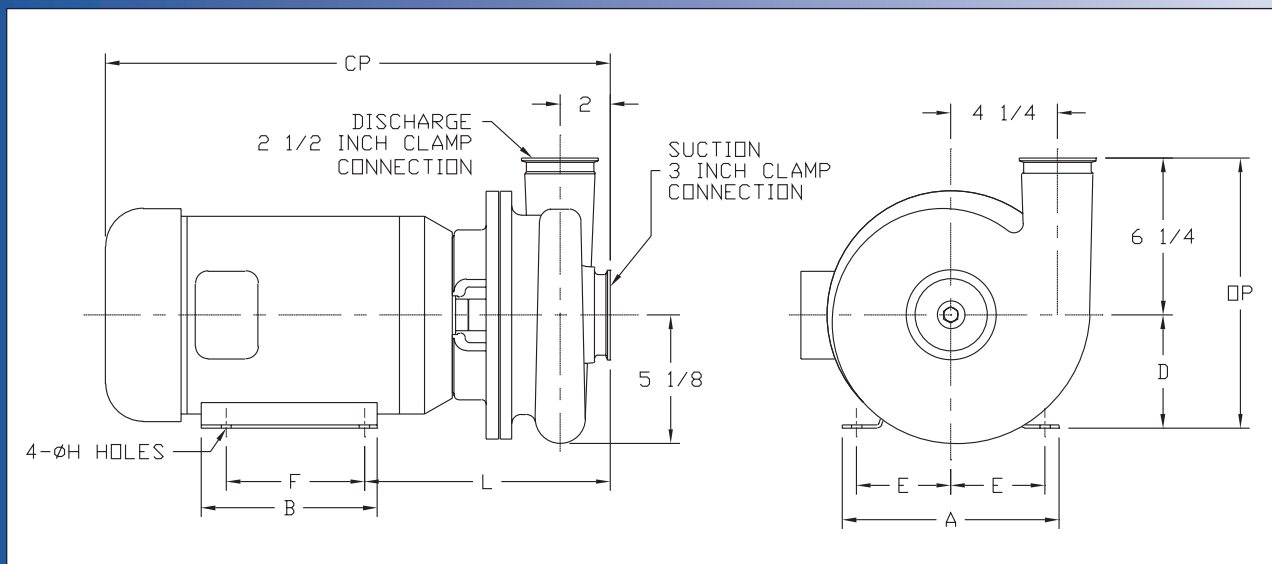
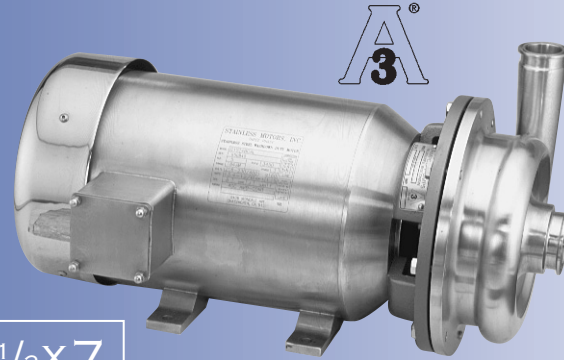
Ampco Pumps Company

4424 West Mitchell Street
 Milwaukee, Wisconsin 53214
 PHONE (414) 643-1852
 FAX (414) 643-4452

Ampco Centrifugal Pumps

DATA SHEET

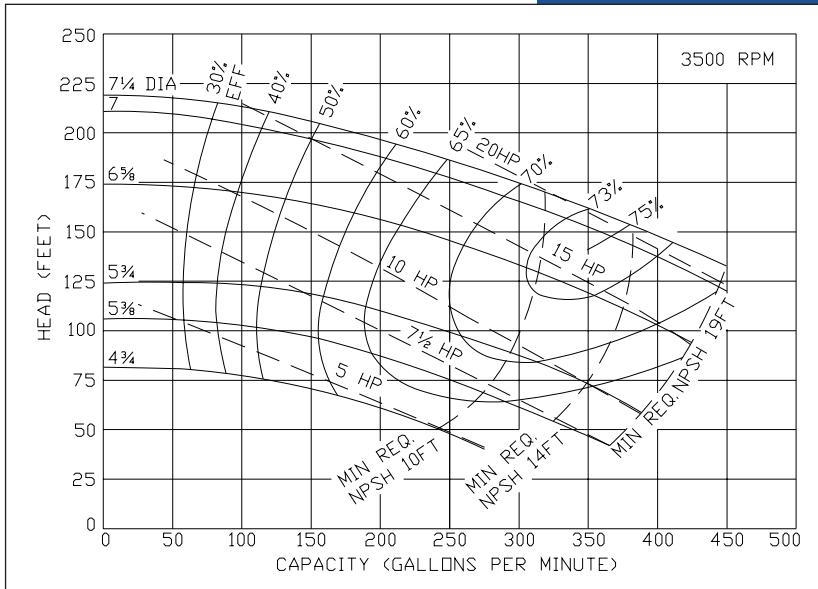
MODEL MC3/MCH3 3X2¹/₂X7



	TEFC MOTOR			DIMENSIONS IN INCHES (For Reference Only)									APPROX. WEIGHT (LBS)
	HP	RPM	FRAME	A (typ)	B (typ)	D	E	F	H	L	CP	OP	
MC2	2	1750	145JM	6-1/2	6	3-1/2	2-3/4	5	11/32	9-7/32	17-17/32	9-3/4	92
MC2	3	1750	182JM	8-5/8	6-1/2	4-1/2	3-3/4	4-1/2	13/32	9-27/32	18-29/32	10-3/4	127
MC2	5	3500	184JM	8-5/8	6-1/2	4-1/2	3-3/4	4-1/2	13/32	9-27/32	20-7/16	10-3/4	121
MC2	7-1/2	3500	184JM	8-5/8	6-1/2	4-1/2	3-3/4	5-1/2	13/32	9-27/32	21-15/16	10-3/4	140
MC2	10	3500	215JM	9-1/2	8	5-1/4	4-1/4	7	13/32	10-27/32	21-15/16	11-1/2	179
MC2	15	3500	215JM	9-1/2	8	5-1/4	4-1/4	7	13/32	10-27/32	23-1/16	11-1/2	202
MCH2	20	3500	256JM	11-1/2	11-1/2	6-1/4	5	10	17/32	12-3/32	26-15/16	12-1/2	228

MATERIAL SPECIFICATIONS

PART NAME	STAINLESS STEEL
Casing & Cover	316L Stainless
Impeller	316L Stainless
Motor Shaft	Steel
Shaft Sleeve	316L Stainless
Adapter	Cast Iron



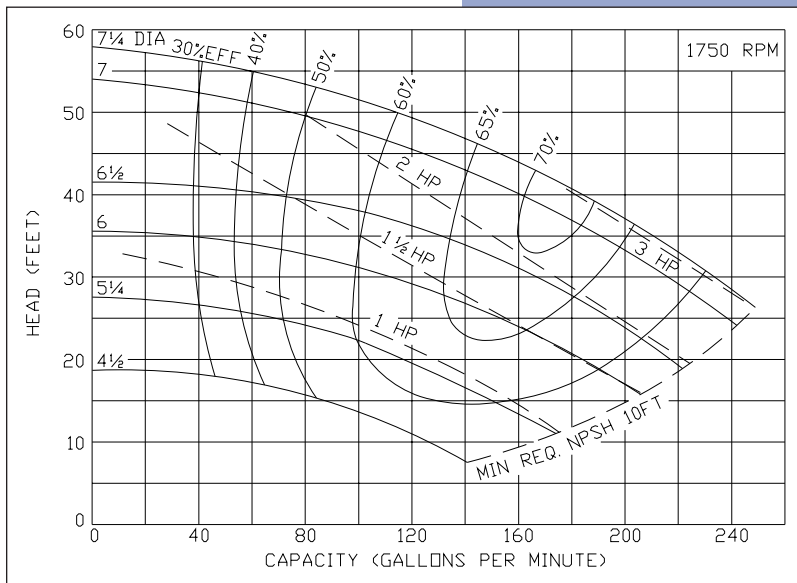
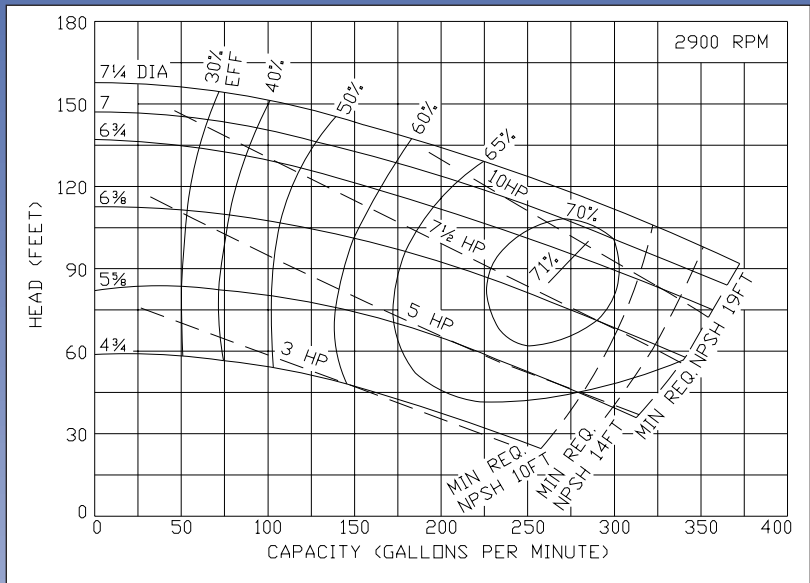
Ampco Centrifugal Pumps

**MODEL MC3/MCH3
3X2 1/2X7**

Curves show approximate characteristics based on clear 68° water. Rated point is guaranteed.

MC3/MCH3 pumps are in conformance with 3A sanitary standards for centrifugal pumps for milk and milk products, Number 02-09.

Standard M Series pumps have a 32RA (150 grit) finish, on all product contact surfaces.



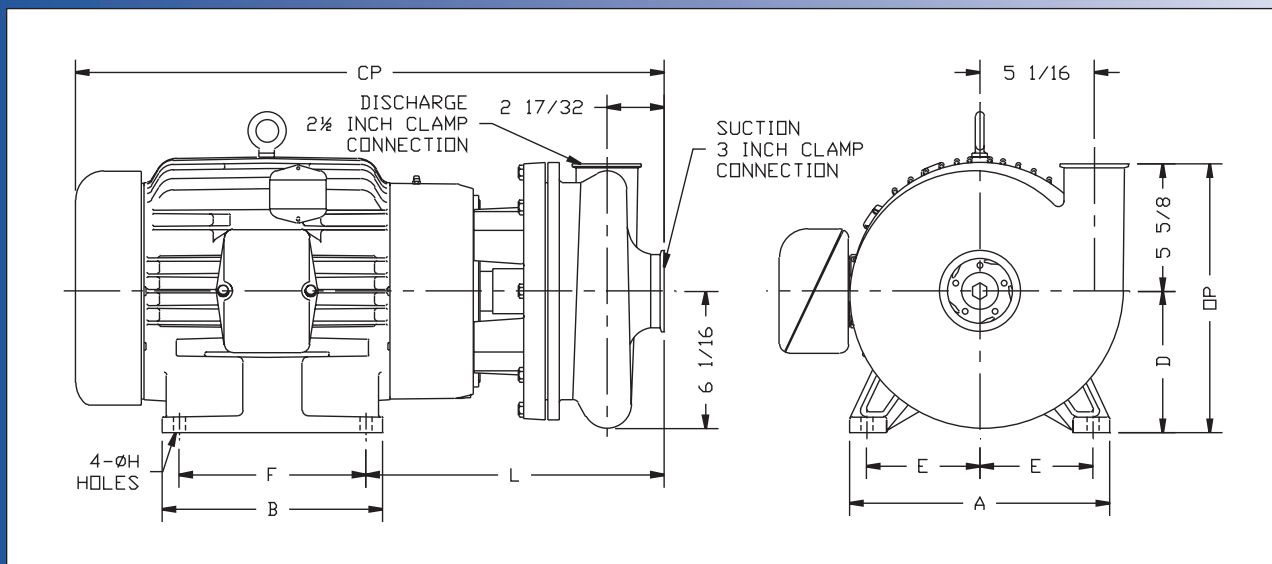
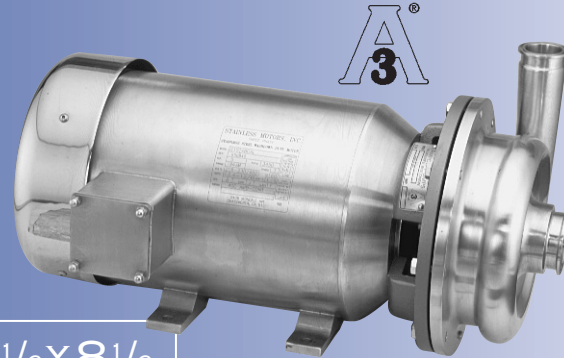
Ampco Pumps Company

4424 West Mitchell Street
Milwaukee, Wisconsin 53214
PHONE (414) 643-1852
FAX (414) 643-4452

Ampco Centrifugal Pumps

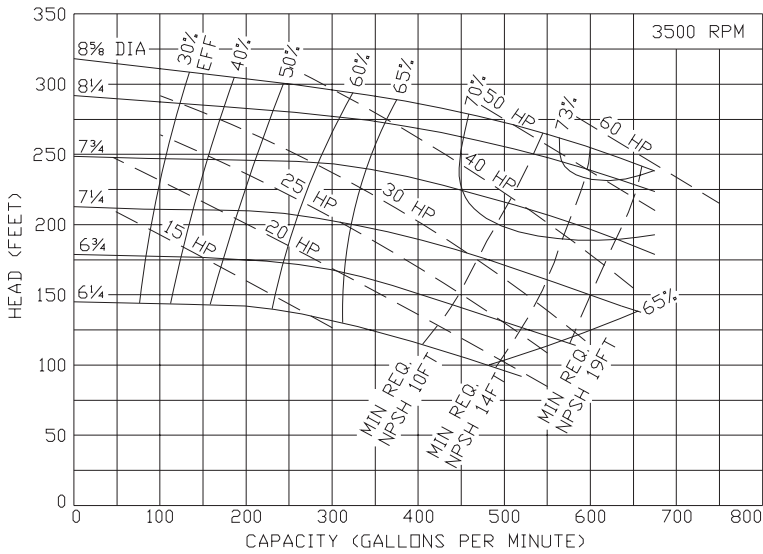
DATA SHEET

MODEL MC3/MCH3 3X2 1/2 X 8 1/2



TEFC MOTOR			DIMENSIONS IN INCHES (For Reference Only)									APPROX.
HP	RPM	FRAME	A (max)	B (max)	D	E	F	H	L	CP	OP	
1-1/2	1750	145JM	6-1/2	6	3-1/2	2-3/4	5	11/32	10	18-3/8	9-1/8	113
2	1750	145JM	6-1/2	6	3-1/2	2-3/4	5	11/32	10	18-3/8	9-1/8	119
3	1750	182JM	8-5/8	6-1/2	4-1/2	3-3/4	4-1/2	13/32	10-5/8	19-3/4	10-1/8	131
5	1750	184JM	8-5/8	6-1/2	4-1/2	3-3/4	5-1/2	13/32	10-5/8	21-1/4	10-1/8	155
7-1/2	1750	213JM	9-1/2	8	5-1/4	4-1/4	5-1/2	13/32	11-5/8	22-5/8	10-7/8	203
10	1750	215JM	9-1/2	8	5-1/4	4-1/4	7	13/32	11-5/8	23-7/8	10-7/8	207
15	1750	254JM	11-1/2	9-3/4	6-1/4	5	8-1/4	17/32	13-3/16	26	11-7/8	303
15	3500	254JM	11-1/2	9-3/4	6-1/4	5	8-1/4	17/32	13-3/16	26	11-7/8	289
20	3500	256JM	11-1/2	11-1/2	6-1/4	5	10	17/32	13-3/16	27-3/4	11-7/8	330
25	3500	284JM	12-3/4	12-3/4	7	5-1/2	9-1/2	17/32	13-3/16	31-5/8	12-5/8	448
30	3500	286JM	12-3/4	12-3/4	7	5-1/2	11	17/32	13-3/16	31-5/8	12-5/8	450
40	3500	324JM	14-1/2	14	8	6-1/4	10-1/2	21/32	13-11/16	33-1/2	13-5/8	556
50	3500	326JM	14-1/2	14	8	6-1/4	12	21/32	13-11/16	33-1/2	13-5/8	642
60	3500	364Z	16-1/2	14-1/2	9	7	11-1/4	21/32	14-9/16	35-1/2	14-5/8	814
75	3500	365Z	16-1/2	14-1/2	9	7	11-1/4	21/32	14-9/16	35-1/2	14-5/8	840

PART NAME	STAINLESS STEEL
CASTING, IMPELLER & COVER	316L STAINLESS STEEL
SHAFT SLEEVE & IMPELLER SCREW	316L STAINLESS STEEL
MOTOR SHAFT	STEEL
ADAPTER	CAST IRON



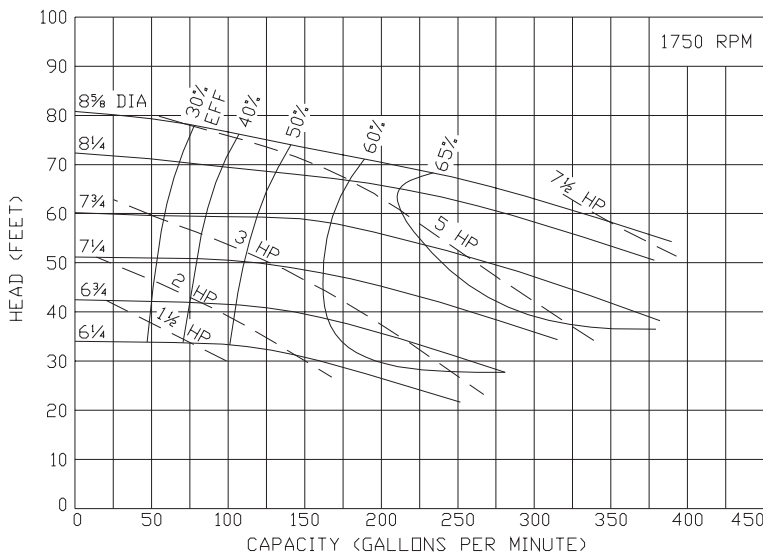
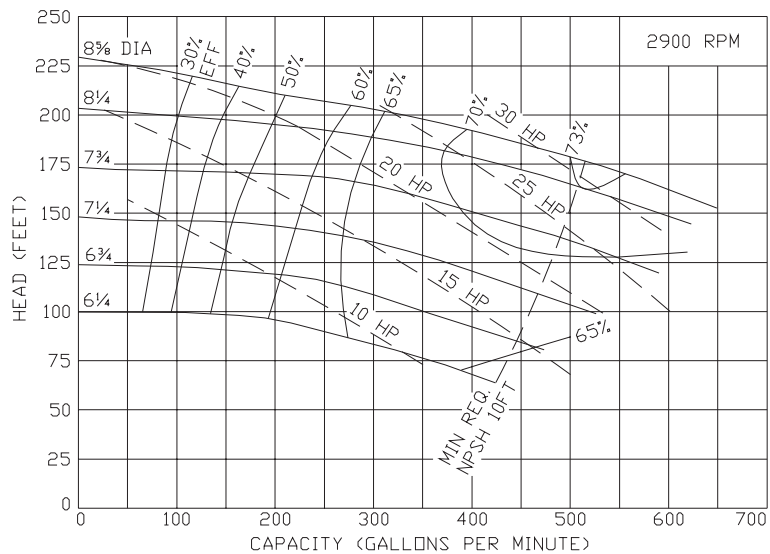
Ampco Centrifugal Pumps

MODEL MC3/MCH3
3X2 1/2 X 8 1/2

Curves show approximate characteristics based on clear 68° water. Rated point is guaranteed.

MC3/MCH3 pumps are in conformance with 3A sanitary standards for centrifugal pumps for milk and milk products, Number 02-09.

Standard M Series pumps have a 32RA (150 grit) finish, on all product contact surfaces.



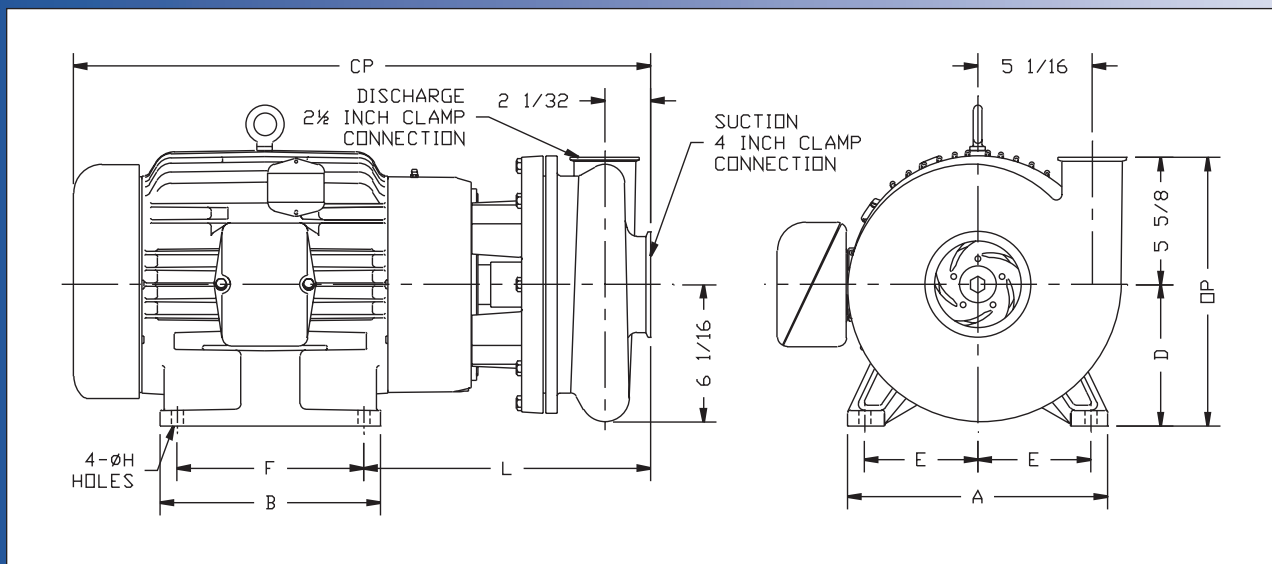
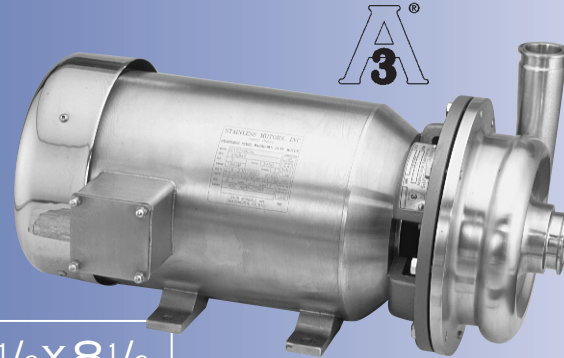
Ampco Pumps Company

4424 West Mitchell Street
Milwaukee, Wisconsin 53214
PHONE (414) 643-1852
FAX (414) 643-4452

Ampco Centrifugal Pumps

DATA SHEET

MODEL MC3/MCH3 4X2¹/₂X8¹/₂



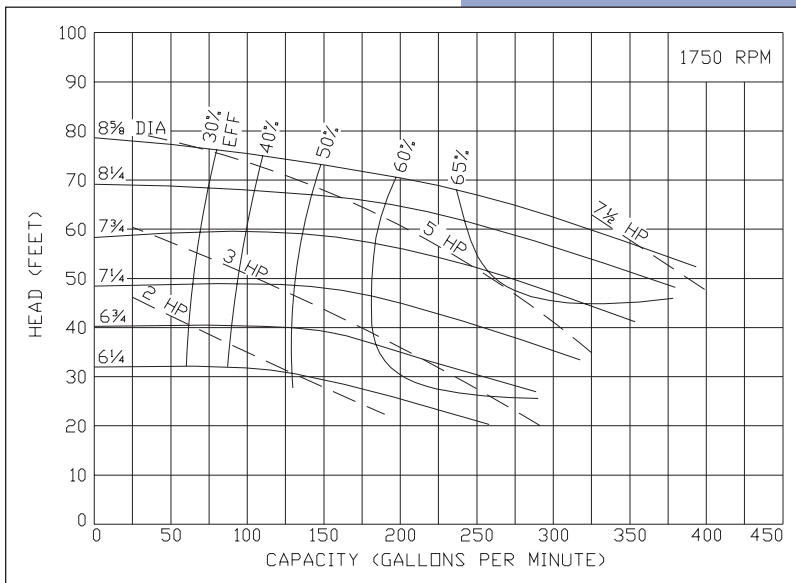
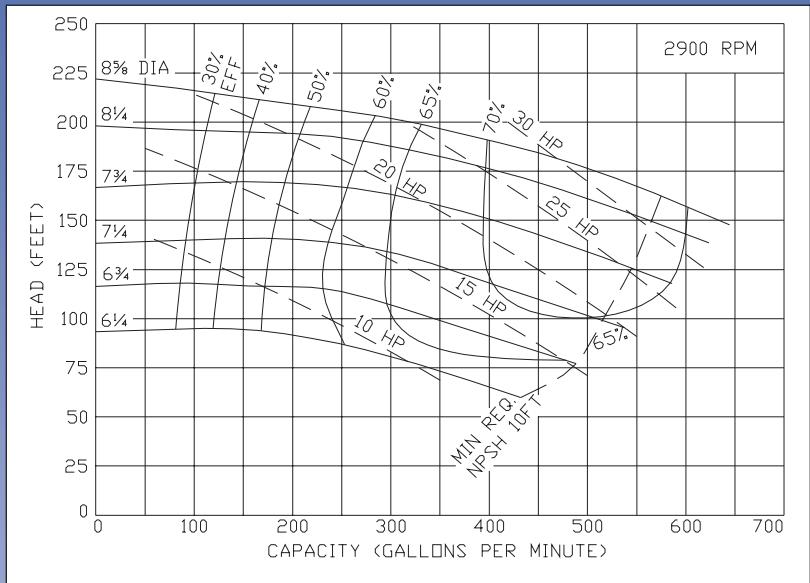
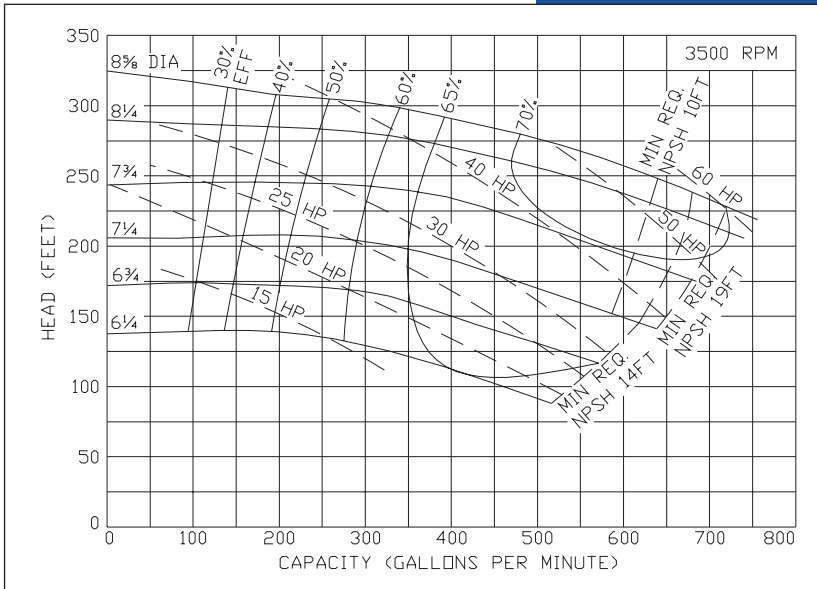
TEFC MOTOR			DIMENSIONS IN INCHES (For Reference Only)									APPROX.
HP	RPM	FRAME	A (max)	B (max)	D	E	F	H	L	CP	OP	
1-1/2	1750	145JM	6-1/2	6	3-1/2	2-3/4	5	11/32	9-1/2	17-7/8	9-1/8	113
2	1750	145JM	6-1/2	6	3-1/2	2-3/4	5	11/32	9-1/2	17-7/8	9-1/8	119
3	1750	182JM	8-5/8	6-1/2	4-1/2	3-3/4	4-1/2	13/32	10-1/8	19-1/4	10-1/8	131
5	1750	184JM	8-5/8	6-1/2	4-1/2	3-3/4	5-1/2	13/32	10-1/8	20-3/4	10-1/8	155
7-1/2	1750	213JM	9-1/2	8	5-1/4	4-1/4	5-1/2	13/32	11-1/8	22-1/8	10-7/8	203
10	1750	215JM	9-1/2	8	5-1/4	4-1/4	7	13/32	11-1/8	23-3/8	10-7/8	207
15	1750	254JM	11-1/2	9-3/4	6-1/4	5	8-1/4	17/32	12-11/16	25-1/2	11-7/8	303
15	3500	254JM	11-1/2	9-3/4	6-1/4	5	8-1/4	17/32	12-11/16	25-1/2	11-7/8	289
20	3500	256JM	11-1/2	11-1/2	6-1/4	5	10	17/32	12-11/16	27-1/4	11-7/8	330
25	3500	284JM	12-3/4	12-3/4	7	5-1/2	9-1/2	17/32	12-11/16	31-1/8	12-5/8	448
30	3500	286JM	12-3/4	12-3/4	7	5-1/2	11	17/32	12-11/16	31-1/8	12-5/8	450
40	3500	324JM	14-1/2	14	8	6-1/4	10-1/2	21/32	13-3/16	33	13-5/8	556
50	3500	326JM	14-1/2	14	8	6-1/4	12	21/32	13-3/16	33	13-5/8	642
60	3500	364Z	16-1/2	14-1/2	9	7	11-1/4	21/32	14-1/16	35	14-5/8	814
75	3500	365Z	16-1/2	14-1/2	9	7	11-1/4	21/32	14-1/16	35	14-5/8	840

PART NAME	STAINLESS STEEL
CASTING, IMPELLER & COVER	316L STAINLESS STEEL
SHAFT SLEEVE & IMPELLER SCREW	316L STAINLESS STEEL
MOTOR SHAFT	STEEL
ADAPTER	CAST IRON

Ampco Centrifugal Pumps

MODEL MC3/MCH3 4X2 1/2 X 8 1/2

Curves show approximate characteristics based on clear 68° water. Rated point is guaranteed.



MC3/MCH3 pumps are in conformance with 3A sanitary standards for centrifugal pumps for milk and milk products, Number 02-09.

Standard M Series pumps have a 32RA (150 grit) finish, on all product contact surfaces.

Ampco Pumps Company

4424 West Mitchell Street
Milwaukee, Wisconsin 53214
PHONE (414) 643-1852
FAX (414) 643-4452