



Alfa Laval FM-OS

Centrifugal pumps

Introduction

The Alfa Laval FM-OS Centrifugal Pump is a small, economical pump engineered to handle low volumes in hygienic applications.

Applications

The FM-OS Centrifugal Pump is designed for use in processes that require the use of acid-resistant steel in hygienic applications across the food, dairy, beverage and other industries.

The FM-OS pump can handle capacities up to 30 m³/h and differential pressures up to 2 bar at 50Hz.

Benefits

- Reliable and cost-effective transfer of acidic products.
- Handles low capacities with ease.
- Corrosion resistance for use in aggressive environments.

Standard design

The Alfa Laval FM-OS Centrifugal Pump consists of a W. 1.4404 (AISI 316L) pump casing, shaft and impeller; stainless steel screws, nuts, yoke and adapter for pump casing.

As standard, the FM-OS pump is equipped with a single mechanical shaft seal, but is also available with a single flushed mechanical shaft seal.



TECHNICAL DATA

Motor

Standard foot-flanged motor acc. to IEC metric standard, 2 pol = 3000/3600 rpm. at 50/60 Hz, IP55 (with drain holes with labyrinth plug), insulation class F.

Motor size

50 Hz:	1.1 kW.
60 Hz:	1.1 kW.

OPERATING DATA

Pressure

Max. inlet pressure:	400kPa (4 bar).
Max. outlet pressure:	700kPa (7 bar).
Max. water pressure, (flushed seal):	Normally atmospheric (max. 1 bar)

Temperature

Temperature range:	-10°C to +140°C (EPDM).
--------------------	-------------------------

Water consumption

Flushed seal:	0.25 - 0.5 l/min.
---------------	-------------------

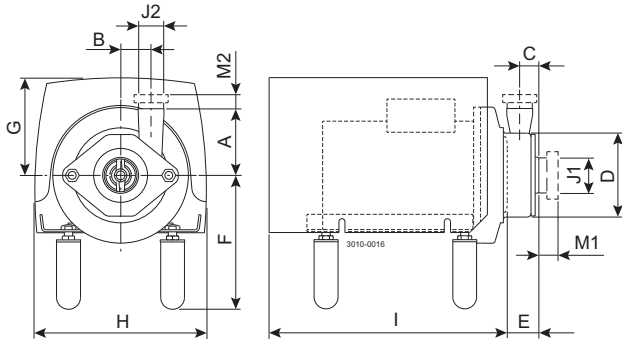
Impeller diameter

Impeller diameter:	115 mm.
--------------------	---------

Weight

Weight:	20 kg.
---------	--------

Dimensions (mm)



Pump specific measures

Pump Model	FM0S
A	98
B	45
C	28
D	140
E	54

Motor specific measures

Motor IEC	IEC80
Motor kW	1.1
F(max)*	212
G	144
H	252
I	341

*Possible to reduce dimension F by min. 30 mm for all pump models.

Motor overview

Pump Model	FM0S
Motor range (IEC)	IEC80

Dimensional data are based on 2 pole, ABB motors.

Connections

Pump Model	FM0S	
Clamp ISO 2037	M1	21
	M2	21
Union ISO(IDF)	M1	21
	M2	21
Union DIN/ISO	M1	22
	M2	22
Union SMS	M1	20
	M2	20
Union (BS)RJT	M1	22
	M2	22
J1*	51 / 2"	
J2*	51 / 2"	

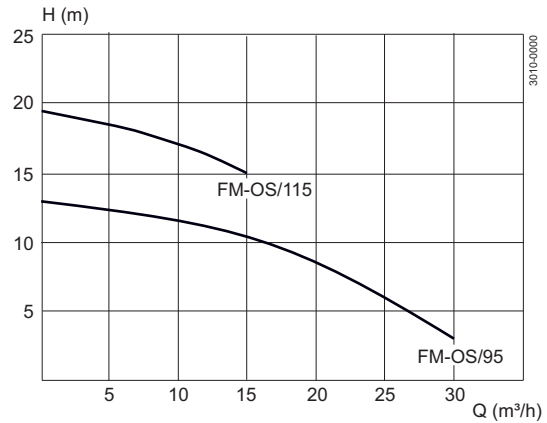
* Other dimensions available on request.

ESE00271/4

Options

- A. Impeller with reduced diameter.
- B. Flushed shaft seal.
- C. Other voltage or frequency.
- D. Inlet and outlet with flanges.
- E. Product wetted seals of EPDM, FPM or FEP.
- F. Rotating seal ring of Silicon Carbide.

Volumetric flow



Ordering

Please state the following when ordering:

- Pump type.
- Voltage and frequency.
- Flow rate, pressure and temperature.
- Density and viscosity of product.
- Options.

NOTE!

For further details, see also instruction IM 70344.

Inlet and outlet: 51 mm

Alfa Laval reserves the right to change specifications without prior notification.

How to contact Alfa Laval

Contact details for all countries
are continually updated on our website.
Please visit www.alfalaval.com to
access the information direct.